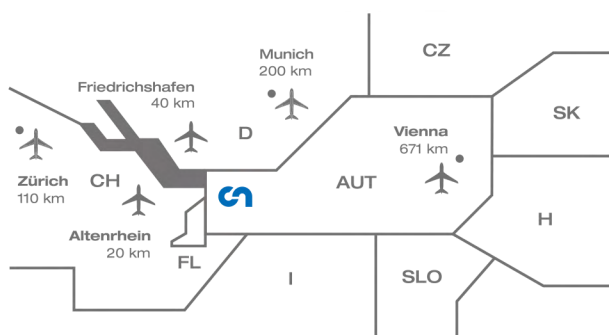


Your experienced Partner for
Substation Connectors
Worldwide



**PRODUCT
CATALOGUE
2015**



Ribe-SubCon GmbH
Schwefel 93, 6850 Dornbirn, Austria

T +43 (0) 5572 / 372674
F +43 (0) 5572 / 372674-21

office@ribe-subcon.at
www.ribe-subcon.at

	Page
Ribe-SubCon - General Information.....	4
References.....	6
General Installation Instructions.....	7
Connector Article Number Explanation.....	12
Catalogue	13
Single Conductor Clamps.....	13
Accessories	53
Bundle Conductor Clamps.....	55
Accessories	114
Busbar Clamps	122
Accessories	195

Our power of experience – Your project success

Over a 100 years of experience

SubCon was established in cooperation with the RIBE Group Germany and became a 100 % independent company in the year 2006.

As a result of more than 100 years of experience, continuous advancement and innovative actions, our company is able to support energy infrastructure projects on a worldwide base. Meanwhile, SubCon acts successfully in all 5 continents and more than 100 countries.

More than 1000 tailor made product designs each year

SubCon provides connector solutions for substations and complex HVDC systems for all voltage levels including 1100kV AC and DC.

From the planning, to optimal design and prompt delivery of our top quality products – SubCon supports your projects throughout all phases with profound technical knowledge and flexibility.

Our product range starts from standard connectors, busbar couplers, bimetallic & copper clamps and insulator string sets to special tailor made connectors. In addition, we support all our customers with complementary accessory products such as stranded & tubular conductors, insulators, grounding material as requested.



Connector bolted type



Connector bolted/
compressed type



Busbar coupler



Busbar support

Adding value throughout all project phases



1 Engineering

- analysis and specification of required connectors
- recommendation of optimal solutions and applications
- we take care of connector location plans and bill of quantities

2 Product Development & Design

- optimal design of connectors considering valid standards and requirements
- detailed drawing documentation
- creation and maintenance of manufacturing tool sets (including pattern making)

3 Production & Testing

- with our production plants we support different technologies like sand casting, die casting, welding, machining, forging and others
- we perform & coordinate electrical and mechanical tests in independent laboratories

4 Quality Management & Logistics

- in order to ensure our high level of quality and our continuous improvement approach we are certified with the ISO 9001 Quality Management System
- we guarantee highest level of quality throughout all project phases
- final quality control of 100% on all executed orders is performed in our Austrian quality & logistic center



Bimetallic connector



Copper connector



Suspension string



Special HVDC connector



Reference projects in over 100 countries worldwide

With the permanent development of customer relations we reach markets in all five continents.

General installation instructions for substation connectors bolted type

Drawingnumber: **BA00193**
 23.04.2001 Libor Bily
 Revision: „i“ 29.06.2010

The reliability and lifetime expectation of any electrical contact depends strongly on the preparation and installation accuracy.

1.) Preparation of connectors before installation

- 1.1) Estimate the type and position of connector contact surfaces (typical arrangements see Fig.1).
- 1.2) Wipe the contact surfaces of connector body with cleaning detergent and clean cloth.
- 1.3) Brush all smooth contact surfaces using a clean steel brush (approx. 30 strokes, until the brush is “gripping”).
 Riffled contact surfaces in connector bodies may be brushed softly.
 NOTE: for Aluminium and Copper materials always use two different brushes with marking!
- 1.4) Apply a thin film of contact grease immediate after brushing on the contact surfaces.
 NOTE: Use only clearly marked contact grease for bolted type connectors. Never use other or unknown greases!
- 1.5) Proceed with other steps in order to finish with the installation not later than 30 min after the initial contact surfaces brushing. **DO NOT touch the prepared contact surfaces!**

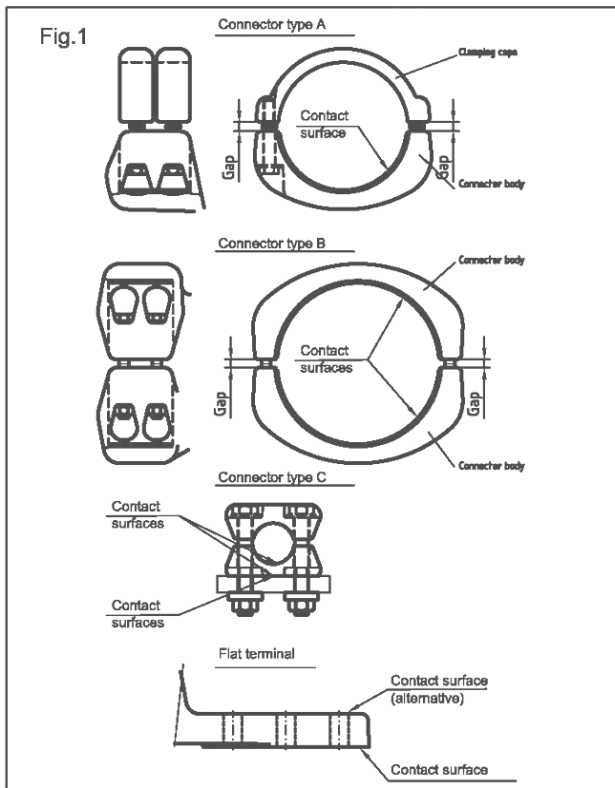
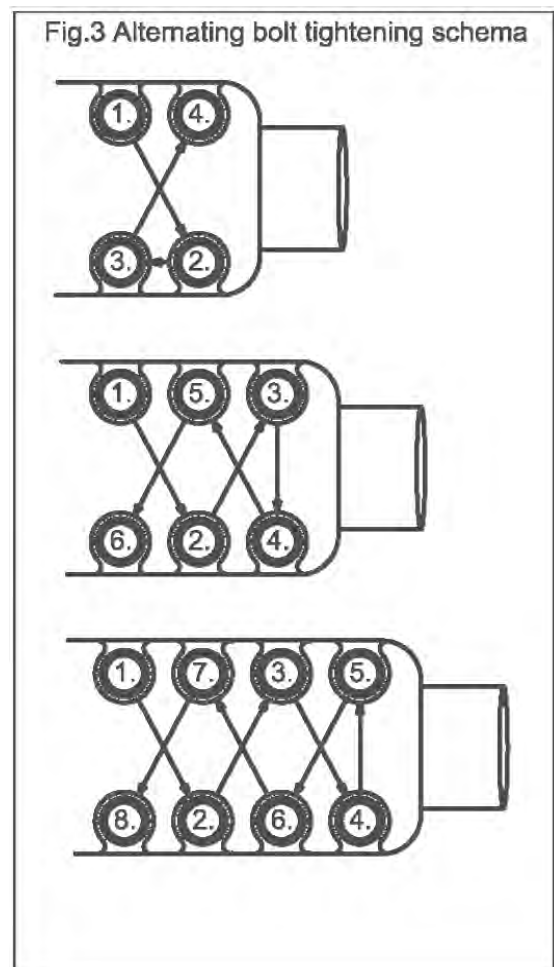


Fig.2: recommended torque settings for hex. bolts

Bolt material	M 8	M10	M12	M16	M20
A2f80 / 8.8	23Nm	46Nm	80Nm	190Nm	380Nm
A2f70	15Nm	29Nm	51Nm	120Nm	240Nm
CuNi1Si F59	20Nm	39Nm	68Nm	160Nm	



General installation instructions for substation connectors bolted type

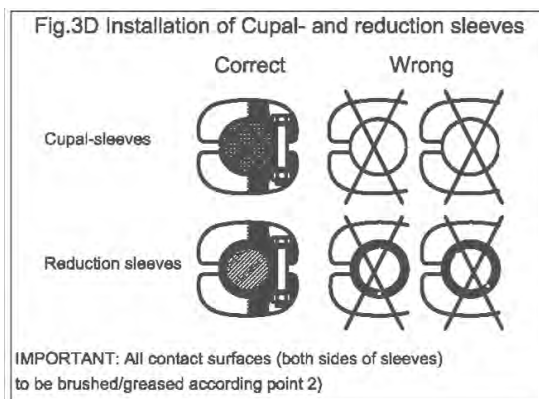
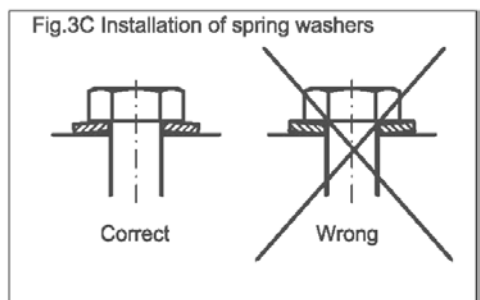
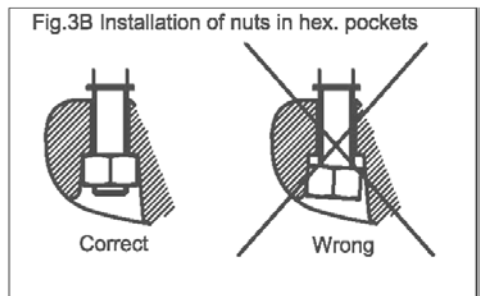
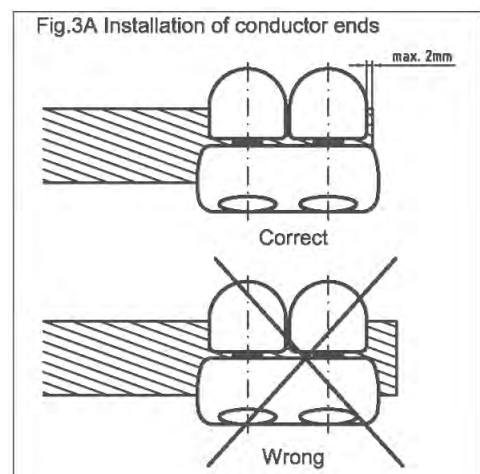
2.) Preparation of conductors/terminals before installation

Remark: this paragraph applies also for the preparation of eventual sleeves and shims (see Fig.3D)

- 2.1) Wipe the contact surfaces of conductor with cleaning detergent and clean cloth.
This is also the only preparation of equipment terminals with electro-galvanized platings.
- 2.2) Stranded conductors: clean the contact surfaces in the proper portion of conductor using a clean steel brush.
- 2.3) Tubular conductors / Flat terminals: clean the contact surfaces in the proper location using a clean steel brush or clean emery in the same manner as described in 1.3).
Remark: for Aluminium and Copper materials always use two different brushes / emery with marking!
- 2.4) Proceed with other steps in order to finish with the installation not later than 30 min after the initial contact surfaces brushing. **DO NOT** touch the prepared contact surfaces!

3.) Installation of connectors and flat terminal connections

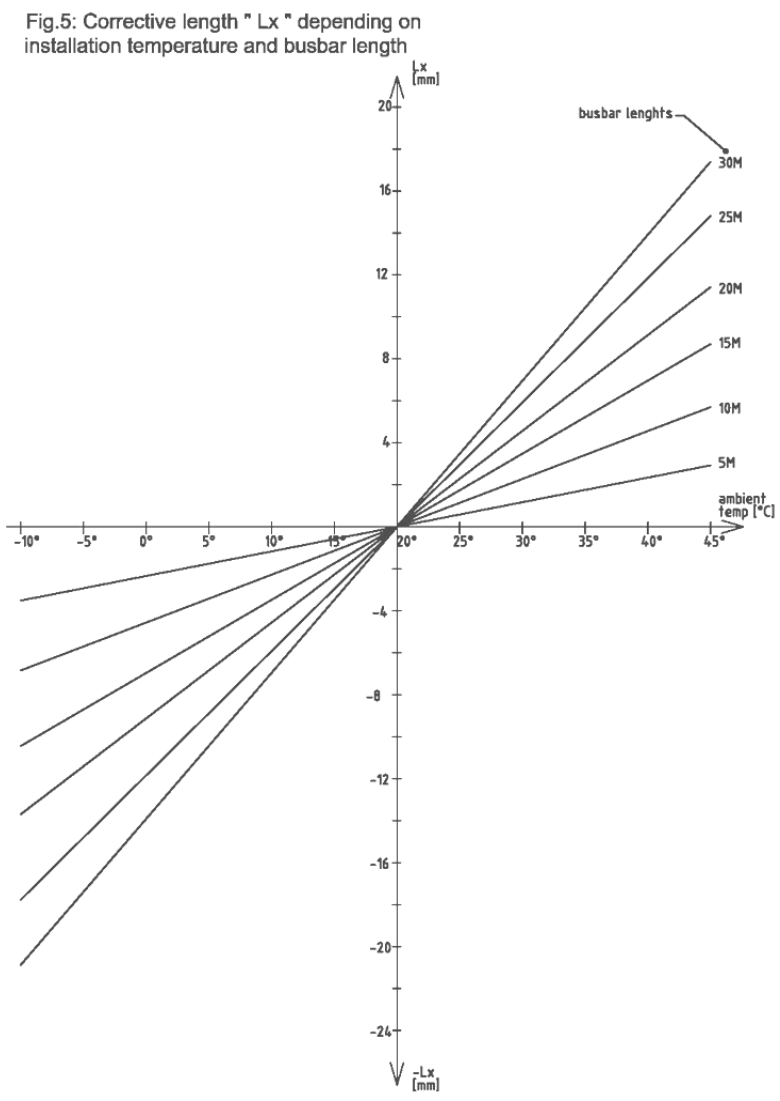
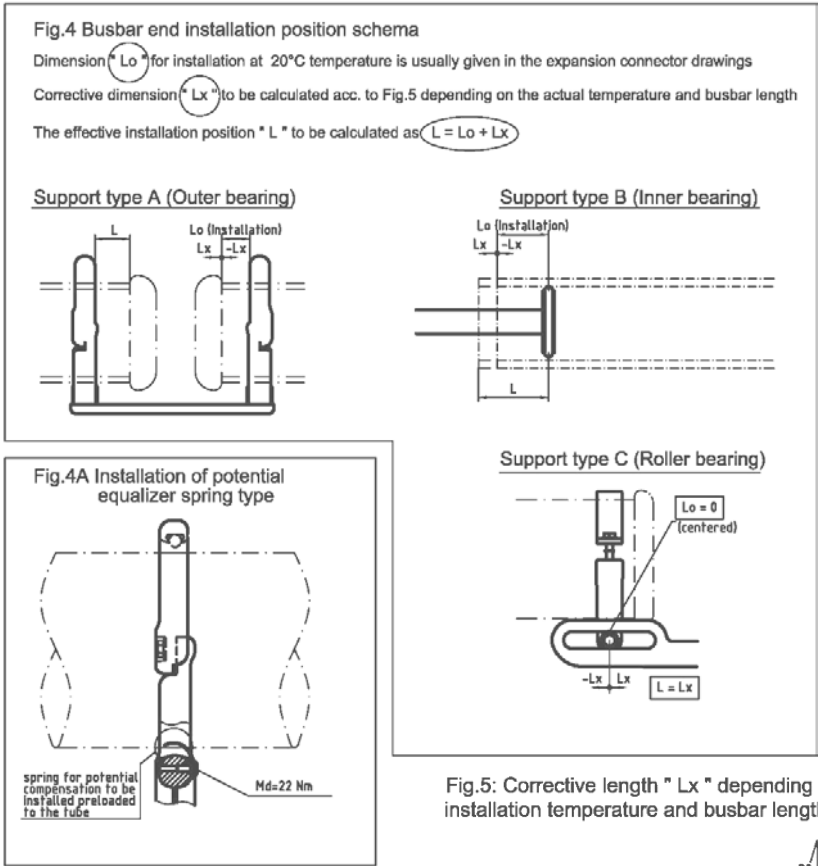
- 3.1) Bring the connector and conductor/terminal in the proper installation position.
Follow Fig. 3A for the installation of conductor ends, fig. 3B/C for eventual washer and nut installation.
For detail adjustment of busbar position in expansion connectors follow Fig. 4.
- 3.2) Tighten the bolts in symmetrical way (check the equidistance gap acc. to Fig. 1)
- 3.3) Alternating and crosswise apply the specified torque to the bolts using a torque wrench.
Remark 1: for detail explanation of crosswise tightening see Fig. 3.
Remark 2: follow the torque setting values engraved on the connector bodies and the general torque settings for hexagonal bolts and nuts in Fig. 2.
- 3.4) Check the installation if necessary re-tighten the bolts (1x).
- 3.5) No further maintenance and retightening is necessary.



IMPORTANT ADVICES

- a) Store the connectors dry/clean before installation
- b) Standard connectors are not designed for Reinstallation or Reopening !
If reinstallation required contact the manufacturer !

General installation instructions for substation connectors bolted type



General installation instructions for substation connectors bolted type

Assembly instructions for Compression type connectors and dead end clamps for Aluminium alloy (AAC, AAAC) and Aluminium/steel (ACSR) conductors

- NOTE 1: points 3,4,5,7,8,9,10,11 are valid for dead end clamps with separately compressed ACSR-conductors steel core only
- NOTE 2: For compression joints use clearly marked compression compound grease only. Never use not identified or unknown greases !
- NOTE 3: For installation of all flat terminal connections use contact grease for bolted connections only!

1. Straighten the conductor.
2. Clean the conductor surface from dust and oxide at a length corresponding to that of the aluminium-sleeve.
Conductors shall be cleaned using cotton waste.
3. Marking of the length to be stripped. The stripping length shall correspond to the length of the steel sleeve plus approx. 10mm (Fig.6).
4. Fix the remaining aluminium strands respectively with an insulating tape close to the mark. (Fig. 6)
Cutoff the aluminium strands respectively rectangular to the conductor axis using the shipping tool.
When cutting off the aluminium layers of the conductor, take care of the strand of the last layer. This strand shall not be completely cut through. These strands have to be broken off to avoid damaging the core layer or the steel core. If necessary burr the sectional edges. (Fig. 7)

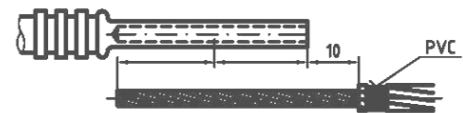


Fig. 6

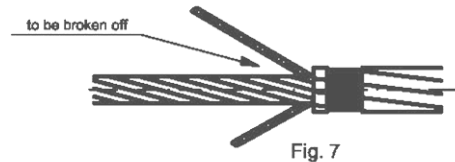


Fig. 7



Fig. 8

5. Clean steel core with cotton waste.
6. Push the greased aluminium sleeve of the compression dead end clamp with the conically shaped sleeve end over the end of the conductor. (Fig.8)
7. Insert the core of the conductor into the steel sleeve and push in the core, until the gap between the edge of the steel sleeve and the aluminium strands respectively is approx. 8 -10 mm. (Fig.9)

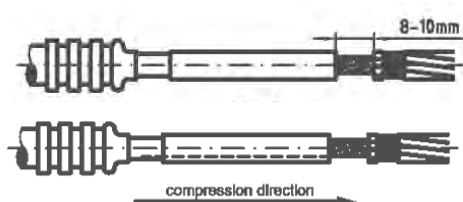


Fig. 10

8. Compress the steel sleeve with die code confirmed by the manufacturer. The compressions shall be made in an order of the compression marks starting from the clamp fixing point side and going towards the end of the sleeve. (Fig.10)
The number of compressions is marked on the steel sleeve.

9. After completion of the steel compression, the PVC tape to be removed and the aluminium sleeve of the dead end clamp must be pushed back to such an extent, that a gap of 2 to 3 mm remains between the sleeve end and the metallic stop. (Fig.11)

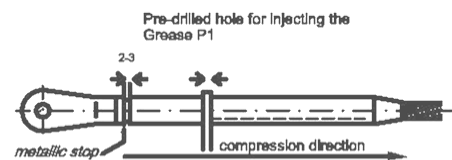


Fig. 11

10. Align the clevis or eye connection (to the jumper tongue, Fig.11).
11. Compress aluminium sleeve with die code confirmed by the manufacturer. The section between the clevis connection and the jumper tongue shall be compressed continuously and overlapping as marked on the sleeve. The area between the jumper torque towards the conductor shall be compressed in an order starting from the tongue going towards to front tube end according to existing compression marks on the aluminium sleeve. (Fig. 11)
The number of compressions is marked on the aluminium sleeve.

12. According to item 11 compress the jumper terminal (aluminium tube with flat terminal) to the jumper conductor.
For installation of bolted type flat terminal connections follow the general instructions for bolted type connectors.

General installation instructions for substation connectors bolted type



Filling the hollow spaces with grease (if required)

13. Inject the grease P1 through the pre-drilled hole until the hollow space is completely filled. (Fig.11)
14. Insert a POP IMEX revert into the hole and apply steady pressure to the handle of the riveting tool until the mandrel breaks and the hole is sealed. (Fig. 12)

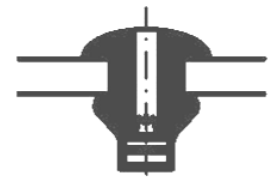
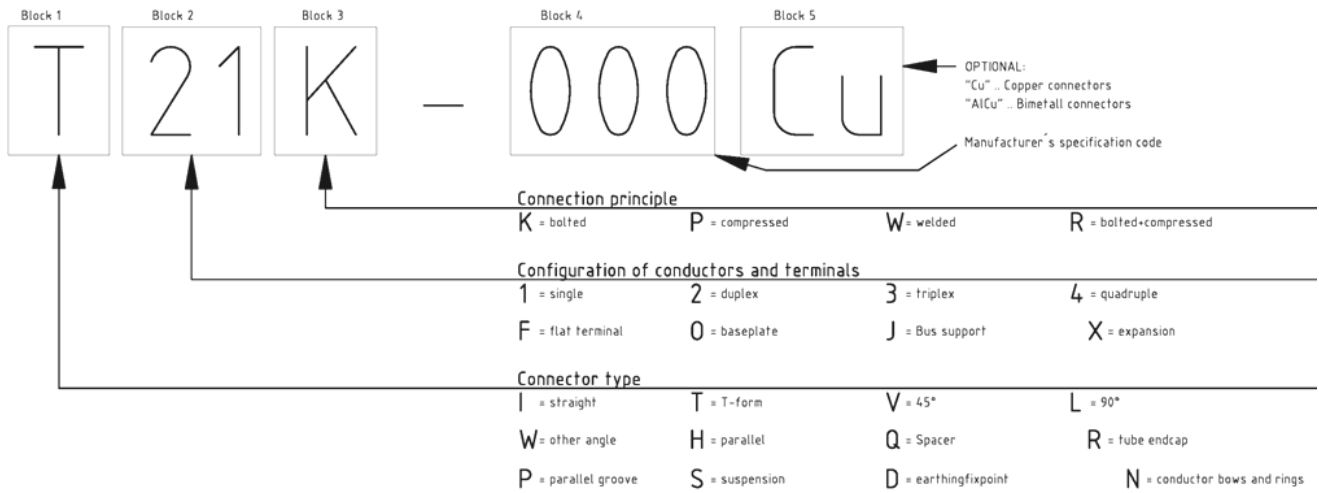
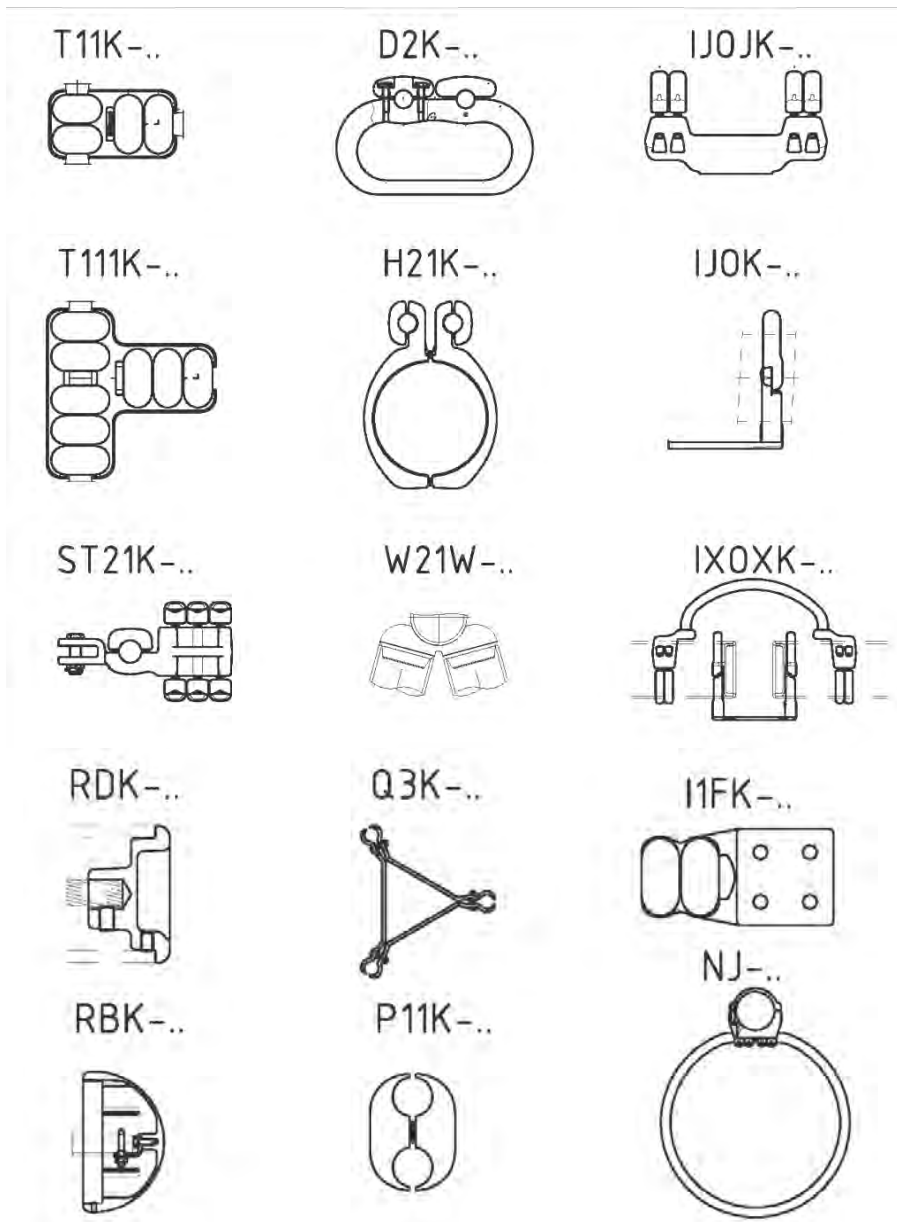


Fig. 12

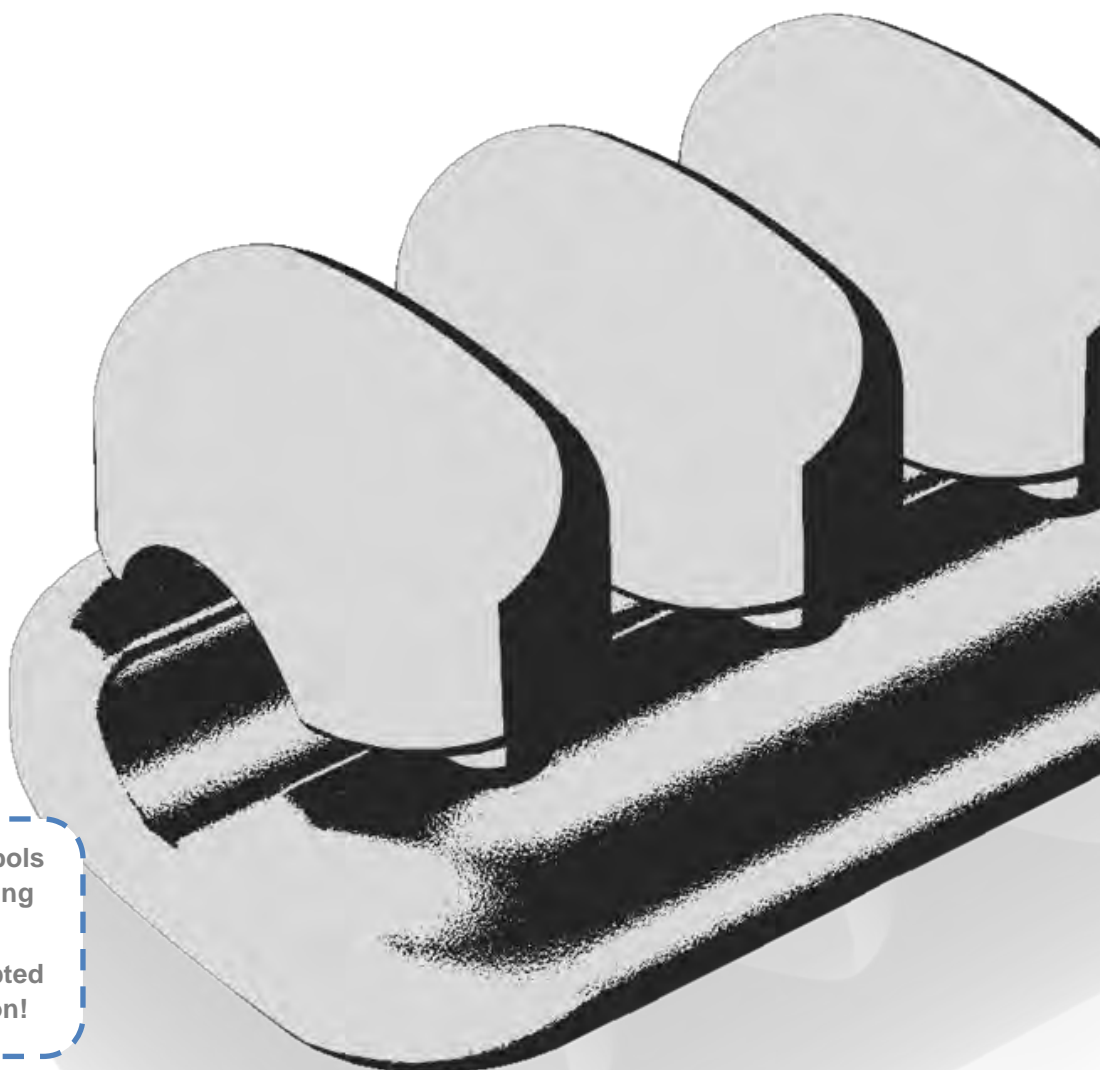
Connector Article Number Explanation



Examples:

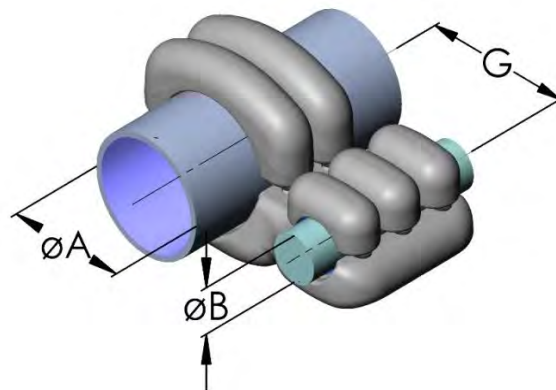


- Single Conductor Clamps
 - Earthing Fixpoints



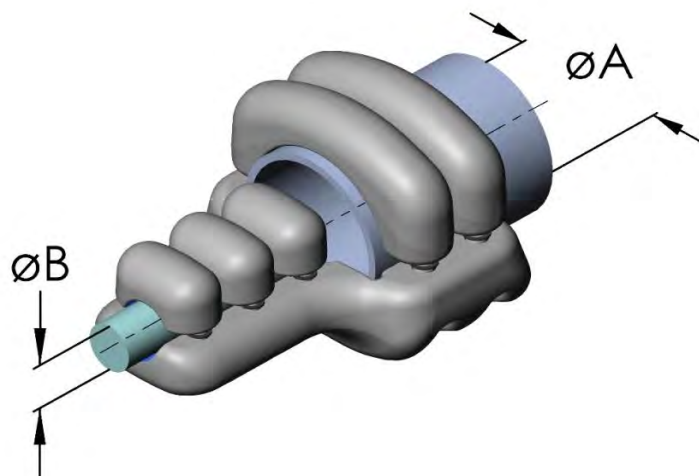
All images are only symbols
and are not corresponding
to the real clamp!

All products can be adapted
for your special situation!



Article No.	Voltage	ØA *)	Covers A	ØB *)	Covers B	Dimension G
H11K-043	245 kV	30,0-42,0	3	24,5-36,9	3	100
H11K-063	245 kV	60-63	2	22,0-33,0	3	72
H11K-064	420 kV	30-63	2	30,0-42,0	3	100
H11K-080	245 kV	80	2	30,0-42,0	3	110
H11K-081	245 kV	80	1	20,0-33,0	2	115
H11K-100	420 kV	100	2	30,0-40,0	4	120
H11K-102	245 kV	100	1	22,0-33,0	2	115
H11K-104	420 kV	100	2	28,5-44,0	3	125
H11K-120	245 kV	114,3-120	2	30,0-44,0	3	135
H11K-125	420 kV	120	2	22,0-32,0	3	125
H11K-141	245 kV	140-160	2	20,0-32,0	3	145
H11K-150	420 kV	150	2	30,0-40,0	4	145
H11K-252	245 kV	250	2	28,5-42,0	3	210
H11K-254	420 kV	250	2	35,0-37,0	3	200

*) please specify exact diameter in case of order

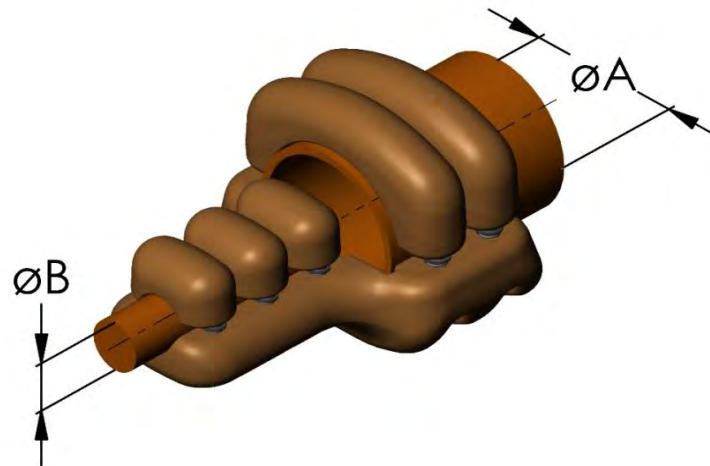


Article No.	Voltage	ØA *)	Covers A	ØB *)	Covers B
I11K-014	245 kV	20	2	5,0-16,0	2
I11K-015	245 kV	30	2	5,0-16,0	2
I11K-019	245 kV	16,0-22,0	2	16,0-22,0	2
I11K-021	245 kV	20,0-22,0	2	9,0-16,0	2
I11K-026	245 kV	30,0-32,0	2	16,0-22,0	2
I11K-028	245 kV	30,0-30,0	2	18,3-20,4	2
I11K-029	245 kV	20,3-33,8	2	20,3-33,8	2
I11K-030	245 kV	30	2	30,5-32,5	2
I11K-031	245 kV	30	2	16,3-18,3	2
I11K-032	245 kV	30,0-32,0	2	16,0-22,0	3
I11K-033	245 kV	30,0-32,0	2	20,0-32,0	3
I11K-035	245 kV	30,0-42,0	2	30,0-32,0	2
I11K-039	245 kV	30,0-42,0	2	30,0-42,0	2
I11K-040	420 kV	30,0-40,0	2	30,0-40,0	3
I11K-042	245 kV	30,0-40,0	2	22,0-32,0	3
I11K-043	245 kV	30,0-42,0	2	20,0-32,0	3
I11K-044	420 kV	30,0-42,0	3	30,0-42,0	3
I11K-045	245 kV	30,0-42,0	2	30,0-42,0	3
I11K-046	245 kV	30,0-42,0	4	22,0-33,0	3
I11K-047	245 kV	30,0-40,0	3	30,0-40,0	3

*) please specify exact diameter in case of order

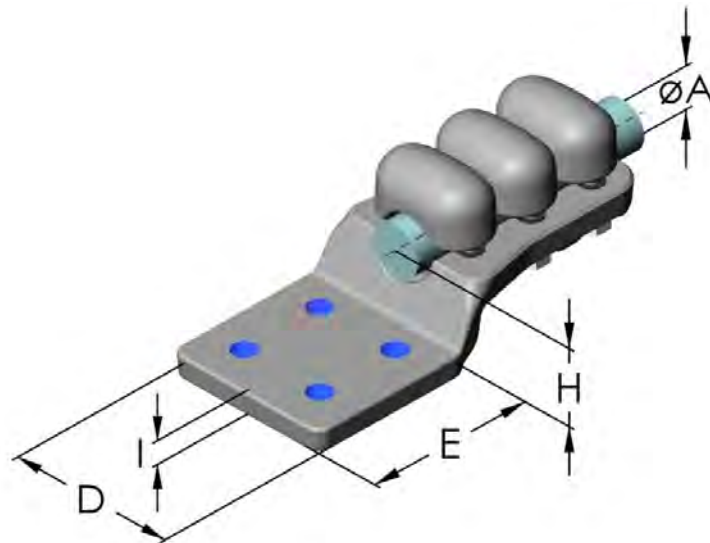
Article No.	Voltage	ØA *)	Covers A	ØB *)	Covers B
I11K-050	245 kV	50	2	50	2
I11K-051	245 kV	50	2	30,0-32,0	2
I11K-052	245 kV	50	2	22,0-32,0	3
I11K-053	245 kV	50	2	20,0-32,0	3
I11K-054	245 kV	40-50	2	30,0-42,0	3
I11K-055	245 kV	40-52	3	40-52	3
I11K-056	245 kV	40-52	3	30,0-42,0	4
I11K-057	245 kV	40-54,8	2	20,0-33,0	2
I11K-059	145 kV	40-54,8	2	9,0-16,3	2
I11K-060	420 kV	80	2	40-62	3
I11K-061	245 kV	60-63	2	30,0-42,0	3
I11K-064	245 kV	60-63	2	30,0-42,0	3
I11K-065	245 kV	50-63	2	40-52	2
I11K-066	245 kV	60-63	2	60-63	2
I11K-067	245 kV	50-63	2	40-52	3
I11K-068	245 kV	60-63	1	22,0-24,5	2
I11K-069	245 kV	60-63	2	30,0-40,0	4
I11K-070	420 kV	50-63	3	50-63	3
I11K-071	245 kV	70-80	2	18,3-33,8	2
I11K-083	245 kV	80	2	20,0-32,0	3
I11K-084	245 kV	80	2	30,0-42,0	3
I11K-085	245 kV	80	2	20,3-33,8	3
I11K-101	420 kV	100	2	16,3-33,8	3
I11K-102	245 kV	100	2	16,0-22,0	2
I11K-103	245 kV	100	2	46,3	3
I11K-104	245 kV	100	2	30,0-42,0	3
I11K-105	245 kV	100	1	22,0-24,5	2
I11K-124	245 kV	114-120	2	30,0-42,0	3
I11K-125	245 kV	120	2	40,0-42,0	2
I11K-126	245 kV	120	2	40-62	3
I11K-127	245 kV	120	2	46,31	2
I11K-141	550 kV	140-141,3	2	40,0-62,0	2
I11K-160	245 kV	150-160	2	30,0-42,0	3
I11K-527	245 kV	28,5-44,8	3	16,3-33,8	3
I11K-560	245 kV	40-52	2	30,0-44,0	3
I11K-563	245 kV	50-60	1	24,5-30,0	2

*) please specify exact diameter in case of order



Article No.	Voltage	ØA *)	Covers A	ØB *)	Covers B
I11K-013Cu	245 kV	5,0-14,0	2	21,0-30,0	2
I11K-023Cu	245 kV	14,0-21,0	2	21,0-30,0	2
I11K-024Cu	245 kV	14,0-21,0	2	40	2
I11K-025Cu	245 kV	21,0-30,0	2	40	2
I11K-029Cu	245 kV	21,0-30,0	3	21,0-30,0	2
I11K-032Cu	420 kV	21,0-30,0	2	30,0-40,0	3
I11K-033Cu	245 kV	18,3-30,6	2	18,3-30,6	2
I11K-034Cu	245 kV	21,0-30,0	3	21,0-30,0	3
I11K-035Cu	245 kV	21,0-30,0	2	30,0-40,0	2
I11K-036Cu	245 kV	21,0-30,0	3	30,0-40,0	3
I11K-050Cu	245 kV	40-50	2	40-50	2
I11K-062Cu	245 kV	60-63	2	14,0-21,0	2
I11K-063Cu	245 kV	60-63	2	21,0-30,0	2
I11K-066Cu	245 kV	60	2	60	2
I11K-106Cu	245 kV	100	2	21,0-30,0	2

*) please specify exact diameter in case of order



Article No.	Voltage	ØA *)	Covers A	Height H	Flat terminal		
					D	E	I
I1FK-015	245 kV	16,0-22,0	3	46	80	80	10
I1FK-018	245 kV	16,0-22,0	2	0	80	80	12
I1FK-021	245 kV	16,0-22,0	2	25	100	100	12
I1FK-022	245 kV	16,0-22,0	3	48	100	100	12
I1FK-023	245 kV	20,4-22,5	2	0	80	80	12
I1FK-024	245 kV	22,5-24,5	2	32	100	100	12
I1FK-029	245 kV	22,0-32,0	2	63	100	100	14
I1FK-030	245 kV	22,0-32,0	2	30	80	80	12
I1FK-032A	245 kV	22,5-33,8	3	45	100	100	12
I1FK-032C	245 kV	20,0-33,0	3	45	100	100	14
I1FK-033	245 kV	22,0-32,0	3	43	125	125	14
I1FK-035	245 kV	22,0-32,0	3	30	80	80	12
I1FK-037	245 kV	30,0-40,0	2	0	75	75	15
I1FK-038	245 kV	30,0-42,0	3	0	125	125	15
I1FK-039	245 kV	30,0-42,0	2	37	100	100	15
I1FK-040	245 kV	30,0-40,0	4	42	60	60	20
I1FK-041A	420 kV	30,0-44,0	3	47	100	100	15
I1FK-041C	420 kV	30,0-44,0	3	47	100	100	15
I1FK-042	245 kV	30,0-42,0	3	37	75	75	15
I1FK-043	245 kV	30,0-42,0	3	37	100	100	15
I1FK-044	245 kV	30,0-40,0	4	42	125	125	20

*) please specify exact diameter in case of order

AI-Straight flat terminal connector

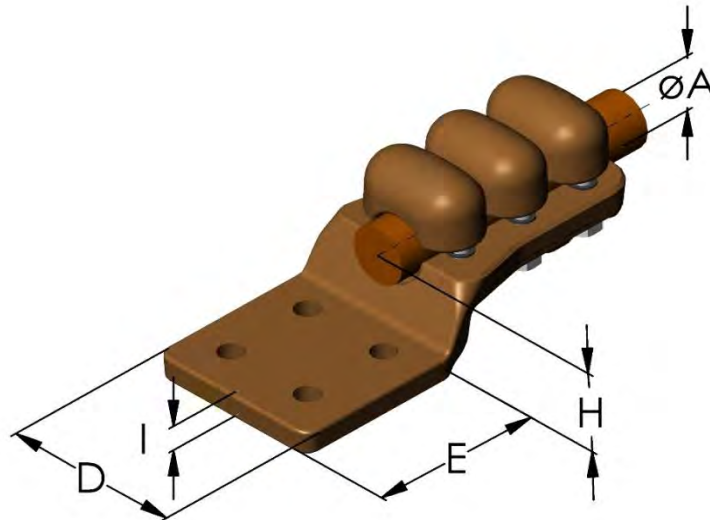
Article No.	Voltage	ØA *)	Covers A	Height H	Flat terminal		
					D	E	I
I1FK-045	245 kV	30,0-40,0	3	55	200	100	15
I1FK-046	420 kV	30,0-42,0	3	43	80	90	18
I1FK-047	245 kV	40-50	2	46	80	80	20
I1FK-048	245 kV	20,0-32,0	3	0	60	130	20
I1FK-049	420 kV	30,0-44,0	3	85	100	100	20
I1FK-050	245 kV	50	2	60	100	100	15
I1FK-051	245 kV	40-50	3	46	100	100	20
I1FK-053	245 kV	40-52	2	55	125	125	15
I1FK-054	245 kV	30,0-40,0	4	37	100	100	15
I1FK-055	245 kV	40-52	2	55	170	125	15
I1FK-056	420 kV	30,6-44,0	4	52	99	100	20
I1FK-057	245 kV	40-50	2	28,5	60	60	20
I1FK-060	245 kV	60-63	2	72	100	100	20
I1FK-061	420 kV	60-63	2	70	170	125	20
I1FK-063	245 kV	60-63	2	72	100	100	20
I1FK-064	245 kV	60-63	3	0	125	125	20
I1FK-073	245 kV	70-80	2	90	100	100	25
I1FK-080	245 kV	80	2	90	100	100	24
I1FK-081	245 kV	80	2	107	125	125	17
I1FK-083	145 kV	80	2	102	100	100	12
I1FK-084	245 kV	80	2	0	100	100	25
I1FK-100	245 kV	100	2	0	125	125	24
I1FK-102	420 kV	100	2	90	100	100	25
I1FK-103	420 kV	100	3	0	125	125	35
I1FK-106	420 kV	100	2	0	200	100	15
I1FK-107	420 kV	100	3	110	200	100	25
I1FK-113	420 kV	100	2	130	200	100	25
I1FK-114	550 kV	114,3-120	2	130	200	95	25
I1FK-115	420 kV	114,3-125	2	115	125	125	25
I1FK-118	245 kV	120	3	120	125	125	30
I1FK-119	420 kV	114,3-120	3	132,5	200	100	25
I1FK-120	245 kV	120	2	90	100	100	25
I1FK-124	420 kV	120	2	130	100	100	25
I1FK-125	245 kV	120-125	2	115	100	100	25
I1FK-126	550 kV	120	2	60	125	125	25
I1FK-141	550 kV	140-141,3	2	160	150	80	25
I1FK-144	420 kV	140-141,3	3	140	125	125	35
I1FK-145	550 kV	140-141,3	2	140	150	80	25
I1FK-160	245 kV	160	2	130	100	200	25
I1FK-161	420 kV	160-168	2	150	100	200	25
I1FK-164	550 kV	160-168,2	3	150	200	100	25
I1FK-332	245 kV	22,5-33,8	3	45	90	90	12
I1FK-333	245 kV	20,3-33,8	3	50	200	100	15

*) please specify exact diameter in case of order

Al-Straight flat terminal connector

Article No.	Voltage	ØA *)	Covers A	Height H	Flat terminal		
					D	E	I
I1FK-342	420 kV	30,0-44,0	3	40	100	215	12
I1FK-343	420 kV	28,5-44,8	4	60	125	125	20
I1FK-532	245 kV	18,3-33,0	3	45	100	100	12
I1FK-542	420 kV	35,-44,0	2	46	100	100	15
I1FK-546	420 kV	45,5-46,5	3	50	125	125	20
I1FK-560	420 kV	160	2	130	100	100	20

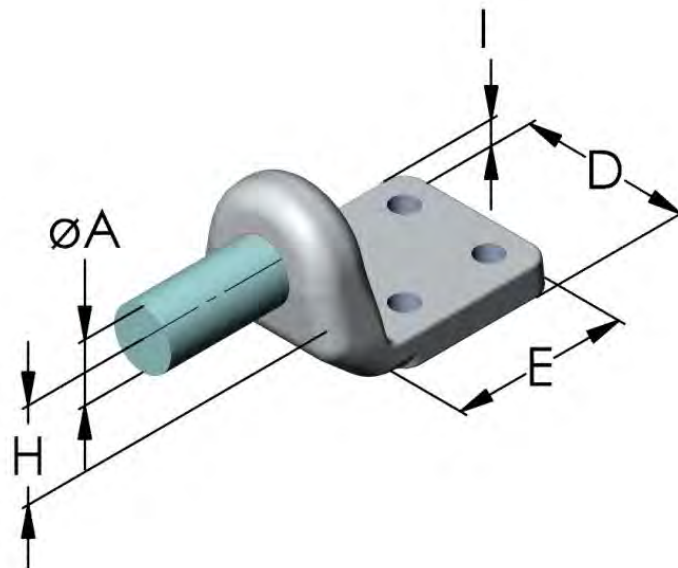
*) please specify exact diameter in case of order



Article No.	Voltage	ØA *)	Covers A	Height H	D	Flat terminal E	I
I1FK-008Cu	245 kV	14,3-24,5	2	25	80	80	10
I1FK-009Cu	245 kV	14,3-24,5	2	25	50	50	10
I1FK-010Cu	245 kV	14,3-24,5	2	25	100	100	10
I1FK-011Cu	245 kV	14,3-24,5	2	25	125	125	10
I1FK-012Cu	245 kV	12,5-17,5	2	26	100	100	8
I1FK-013Cu	245 kV	12,5-17,5	2	26	125	125	8
I1FK-021Cu	245 kV	14,0-21,0	2	23	100	100	10
I1FK-058Cu	245 kV	40-50	2	47	125	125	15
I1FK-059Cu	245 kV	40-50	2	47	100	100	15
I1FK-065Cu	245 kV	55,7	4	77	125	125	25
I1FK-532Cu	245 kV	18,3-33,0	3	45	100	100	12

*) please specify exact diameter in case of order

Al-Straight flat terminal connector welded

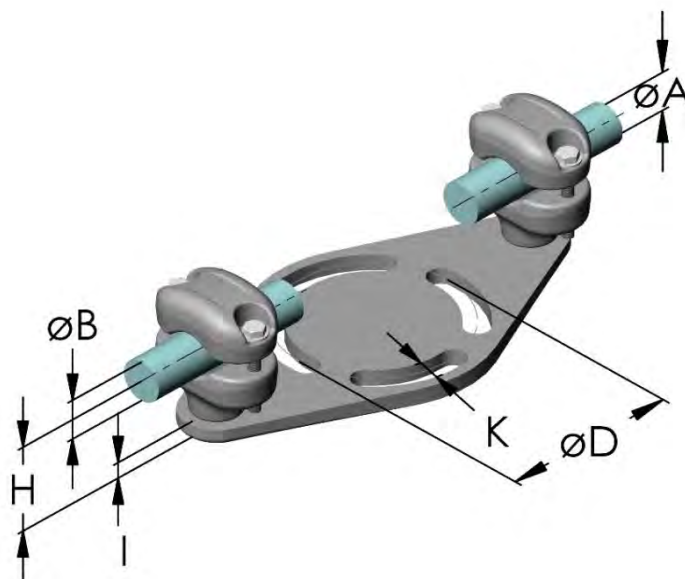


Article No.	Voltage	ØA *)	Height H	Flat terminal		
				D	E	I
I1FW-025	420 kV	33,91	40	80	80	13
I1FW-026	245 kV	25,0-26,1	40	91,7	100	12
I1FW-027	420 kV	35,1	38	80	80	12
I1FW-028	420 kV	35,1	38	80	80	12

*) please specify exact diameter in case of order

Al-Straight double support coupler

Rigid type, non-current carrying

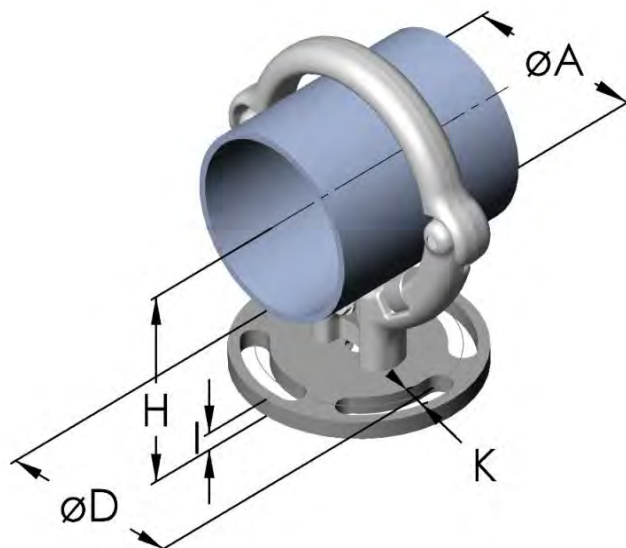


Article No.	Voltage	ØA *)	Covers A	ØB *)	Covers B	Height H	ØD	Diameter K	Flange-thickness I
IJOJK-041	245 kV	30,0-42,0	1	30,0-42,0	1	65	127	14	12
IJOJK-044	245 kV	30,0-42,0	1	30,0-42,0	1	70	254	18	15
IJOJK-050	145 kV	50	1	50	1	70	200	18	15
IJOJK-051	245 kV	50	1	50	1	70	120	14	15
IJOJK-052	245 kV	50	1	50	1	70	120	14	15
IJOJK-081	245 kV	80	1	80	1	100	127	18	12
IJOJK-082	245 kV	80	1	80	1	110	140	18	15
IJOJK-103	245 kV	100	1	100	1	100	127	18	12
IJOJK-123	245 kV	114-120	1	114-120	1	130	110	14	12
IJOJK-125	550 kV	120	2	120	2	130	225	18	18
IJOJK-126	245 kV	120	1	120	1	130	127	18	12
IJOJK-143	550 kV	140-141,3	1	140-141,3	1	140	127	18	15
IJOJK-252	420 kV	250	1	250	1	225	127	18	15

*) please specify exact diameter in case of order

Al-Straight busbar support with baseplate

Tube run, sliding or fix, angular movable



Article No.	Voltage	ØA *)	Height H	ØD	Diameter K	Flange-thickness I
IJOK-023	245 kV	15,1-24,0	50	76	14	12
IJOK-025	245 kV	15,1-24,0	50	127	18	12
IJOK-026	245 kV	15,1-24,0	50	127	18	12
IJOK-027	420 kV	30,0-33,8	89	127	18	12
IJOK-037	245 kV	30,0-42,0	65	127	18	12
IJOK-045	245 kV	33,0-43,0	62	127	18	12
IJOK-046	245 kV	33,0-43,0	62	127	18	12
IJOK-048	245 kV	33,0-43,0	110	127	18	12
IJOK-049	245 kV	33,0-43,0	62	140	14	12
IJOK-050	245 kV	50	70	120	14	15
IJOK-051	245 kV	42,0-52,0	70	127	18	12
IJOK-052	245 kV	42,0-52,0	68	76	14	12
IJOK-064	245 kV	60-63	90	76	14	12
IJOK-065	245 kV	60-63	90	127	18	15
IJOK-066	245 kV	60-63	90	120	14	15
IJOK-070	245 kV	70	90	127	14	15
IJOK-071	245 kV	70	90	46	10	25
IJOK-080	245 kV	80	90	120	14	12
IJOK-081	245 kV	80	90	127	18	12
IJOK-082	245 kV	80	100	120	14	15
IJOK-083	245 kV	80	90	225	18	12

*) please specify exact diameter in case of order

Al-Straight busbar support with baseplate

Tube run, sliding or fix, angular movable

Article No.	Voltage	ØA *)	Height H	ØD	Drilling-diameter K	Flange-thickness I
IJOK-084	245 kV	80	100	76	14	12
IJOK-085	245 kV	80	90	127	18	12
IJOK-086	245 kV	80	90	140	14	12
IJOK-087	245 kV	80	90	180	14	12
IJOK-100	245 kV	100	100	127	18	10
IJOK-101	245 kV	100	100	225	18	10
IJOK-102	245 kV	100	100	76	14	10
IJOK-103	245 kV	100	100	120	14	15
IJOK-105	245 kV	100	100	127	18	12
IJOK-106	245 kV	100	100	76	14	10
IJOK-108	245 kV	100	100	254	18	12
IJOK-109	245 kV	100	100	76	12	10
IJOK-110	245 kV	100	115	127	18	27
IJOK-111	245 kV	100	100	300	18	12
IJOK-112	245 kV	100	100	325	18	12
IJOK-114	550 kV	114-120	130	225	18	15
IJOK-115	550 kV	114-120	130	127	18	15
IJOK-116	420 kV	114-120	150	127	18	12
IJOK-117	550 kV	120	130	120	14	12
IJOK-119	420 kV	120	130	225	18	12
IJOK-120	245 kV	120	90	120	14	10
IJOK-121	245 kV	120	90	127	18	10
IJOK-123	245 kV	114-120	115	76	14	12
IJOK-124	245 kV	114-120	130	76	14	12
IJOK-126	420 kV	125	130	127	18	12
IJOK-127	420 kV	125	130	127	18	12
IJOK-128	550 kV	114-120	130	225	18	12
IJOK-130	420 kV	114-120	130	254	18	12
IJOK-131	420 kV	125	130	127	18	12
IJOK-141	550 kV	140-141,3	140	127	18	15
IJOK-143	550 kV	140-141,3	140	225	18	12
IJOK-145	550 kV	140-141,3	140	127	18	15
IJOK-148	420 kV	150-160	170	127	18	12
IJOK-149	420 kV	160	170	225	18	12
IJOK-151	550 kV	150-160	165	127	18	12
IJOK-154	420 kV	160	150	225	18	12
IJOK-155	550 kV	160	130	225	18	12
IJOK-156	420 kV	160	150	225	18	12
IJOK-157	420 kV	160	150	127	18	12
IJOK-158	420 kV	150-160	210	225	18	12
IJOK-159	245 kV	150-160	130	127	18	12
IJOK-162	245 kV	160	130	225	18	15

*) please specify exact diameter in case of order

Al-Straight busbar support with baseplate

Tube run, sliding or fix, angular movable

Article No.	Voltage	ØA *)	Height H	ØD	Drilling-diameter K	Flange-thickness I
IJOK-163	245 kV	150-160	225	127	18	15
IJOK-164	245 kV	160	150	127	18	15
IJOK-165	245 kV	160	160	127	18	12
IJOK-166	245 kV	150-160	150	127	18	12
IJOK-167	420 kV	160	150	127	18	12
IJOK-168	550 kV	160	160	225	18	12
IJOK-169	420 kV	160	150	225	18	12
IJOK-170	420 kV	160	265	225	18	12
IJOK-171	420 kV	160	365	225	18	12
IJOK-172	420 kV	168	150	127	18	12
IJOK-176	420 kV	150-160	130	225	18	12
IJOK-177	145 kV	160	158	76	14	24
IJOK-179	550 kV	168	150	225	18	12
IJOK-180	420 kV	160	150	394	11	12
IJOK-181	245 kV	160	150	120	14	15
IJOK-182	420 kV	160	150	254	18	12
IJOK-183	420 kV	160	150	356	8	12
IJOK-184	420 kV	160	150	225	18	12
IJOK-185	420 kV	150-160	150	127	18	12
IJOK-186	420 kV	150-160	150	127	18	12
IJOK-198	420 kV	200	180	120	18	17
IJOK-199	420 kV	200	180	120	18	17
IJOK-200	420 kV	200	180	225	18	17
IJOK-201	420 kV	200	180	127	18	17
IJOK-202	420 kV	200	180	225	18	17
IJOK-203	420 kV	200	180	127	18	17
IJOK-204	420 kV	200	180	127	18	15
IJOK-205	420 kV	200	175	225	18	15
IJOK-206	420 kV	200	165	127	18	12
IJOK-207	550 kV	200	180	225	18	12
IJOK-208	550 kV	200	180	127	18	12
IJOK-209	245 kV	200	175	76	14	12
IJOK-210	245 kV	200	175	76	14	12
IJOK-211	245 kV	200	180	120	14	15
IJOK-212	550 kV	200	180	380	14	12
IJOK-213	420 kV	200	165	225	8	12
IJOK-220	420 kV	220	210	127	18	12
IJOK-221	420 kV	220	210	225	18	12
IJOK-230	245 kV	30,0-42,0	200	127	18	12
IJOK-247	420 kV	250	225	325	18	12
IJOK-248	420 kV	250	225	300	18	12
IJOK-249	550 kV	250	200	225	18	17

*) please specify exact diameter in case of order

Al-Straight busbar support with baseplate

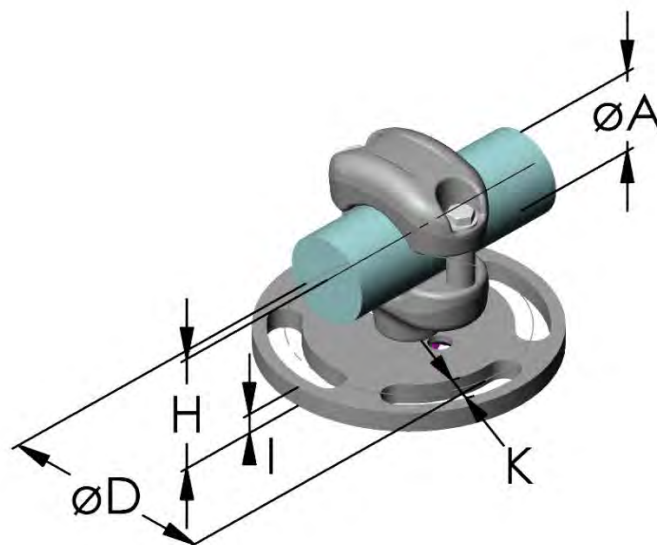
Tube run, sliding or fix, angular movable

Article No.	Voltage	ØA *)	Height H	ØD	Drilling-diameter K	Flange-thickness I
IJOK-250	550 kV	250	225	225	18	15
IJOK-251	420 kV	250	225	225	18	15
IJOK-252	420 kV	250	225	127	18	15
IJOK-253	420 kV	250	225	127	18	15
IJOK-255	550 kV	250	225	225	18	17
IJOK-257	420 kV	250	225	225	18	15
IJOK-258	420 kV	250	225	127	18	15
IJOK-259	420 kV	250	225	127	18	15
IJOK-260	420 kV	250	225	254	18	12
IJOK-262	420 kV	250	200	127	160	15
IJOK-263	550 kV	250	225	254	18	12
IJOK-265	550 kV	250	225	225	18	17
IJOK-267	420 kV	250	225	225	18	12
IJOK-269	550 kV	250	225	254	18	17
IJOK-303	420 kV	300	250	325	22	12
IJOK-304	420 kV	300	250	325	22	12
IJOK-305	420 kV	300	250	325	22	12
IJOK-306	420 kV	300	200	325	22	12

*) please specify exact diameter in case of order

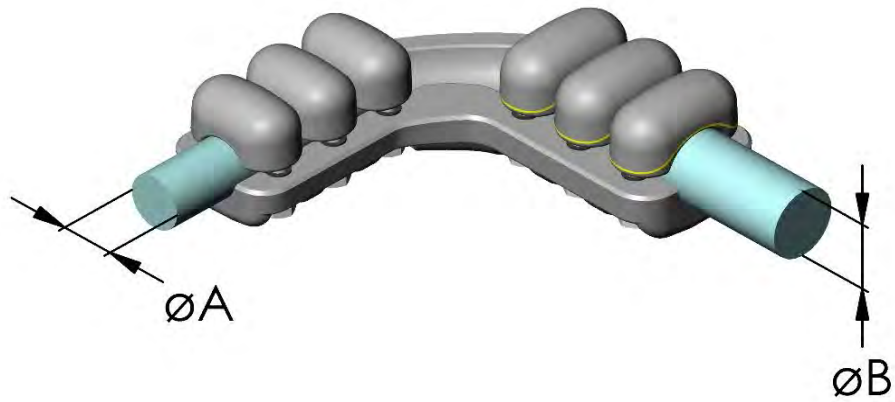
Al-Busbar support with baseplate

Tube run, rigid or sliding



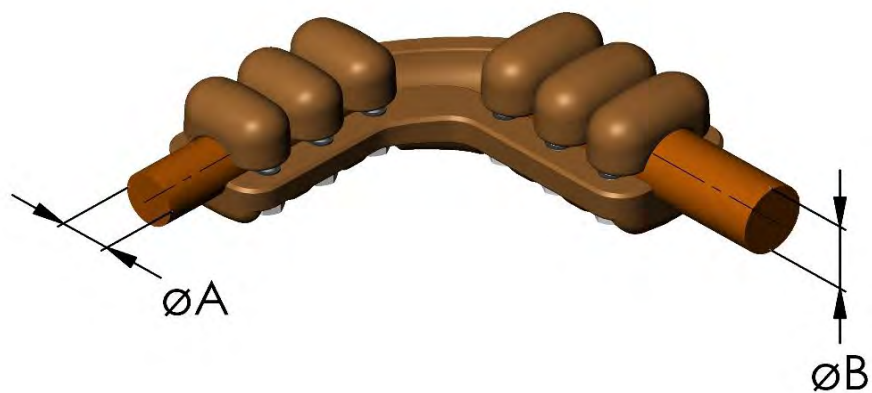
Article No.	Voltage	ØA *)	Covers A	Height H	ØD	Diameter K	Flange-thickness I
IJOK-021	245 kV	27,0-32,0	64	64	66	14	14
IJOK-028	245 kV	20,0-32,0	63	63	120	14	14
IJOK-030	245 kV	24,0-32,0	77	77	76	14	14
IJOK-032	245 kV	24,0-32,0	68	68	127	18	18
IJOK-033	245 kV	24,1-32,5	50	50	225	18	18
IJOK-034	245 kV	24,1-32,5	56	56	120	14	14
IJOK-035	245 kV	20,3-33,8	151	151	120	14	14
IJOK-038	420 kV	30,0-42,0	70	70	76	14	14
IJOK-039	245 kV	30,0-42,0	70	70	76	14	14
IJOK-040	245 kV	30,0-42,0	70	70	225	18	18
IJOK-042	245 kV	33,0-43,0	70	70	127	18	18
IJOK-043	245 kV	33,0-43,0	60	60	76	14	14
IJOK-044	245 kV	33,0-43,0	60	60	76	18	18
IJOK-053	245 kV	20,0-32,0	60	60	127	18	18
IJOK-055	245 kV	42,0-52,0	70	70	225	18	18
IJOK-280	245 kV	30,0-42,0	70	70	250	18	18
IJOK-532	245 kV	20,0-32,0	76	76	46	12	10

*) please specify exact diameter in case of order



Article No.	Voltage	ØA *)	Covers A	ØB *)	Covers B
L11K-030	245 kV	29,0-33,0	3	40,0-42,0	3
L11K-031	245 kV	22,0-32,0	2	5,0-16,0	2
L11K-032	245 kV	16,0-22,0	3	30,0-32,0	2
L11K-033	245 kV	28,5-33,8	2	20,3-33,8	3
L11K-034	245 kV	40,0-42,0	2	30,0-32,0	2
L11K-120	420 kV	114,3-120	2	60,0-63,0	2

*) please specify exact diameter in case of order

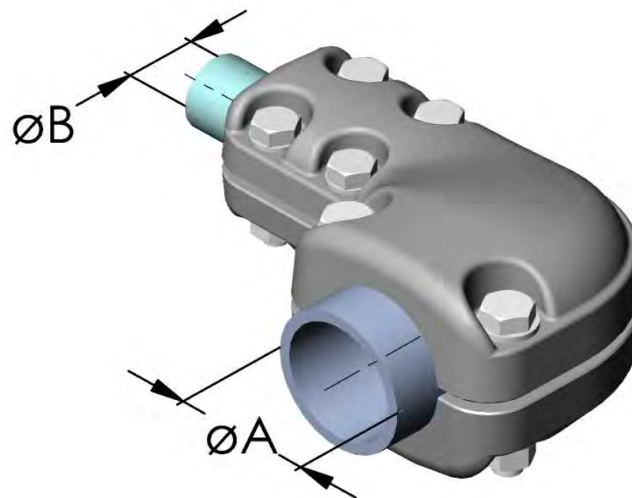


Article No.	Voltage	$\varnothing A$ *)	Covers A	$\varnothing B$ *)	Covers B
L11K-032Cu	245 kV	14,0-21,0	2	30,0	2
L11K-034Cu	245 kV	21,0-30,0	2	30,0-40,0	2
L11K-035Cu	245 kV	21,0-30,0	2	40,0-50,0	2
L11K-042Cu	245 kV	21,0-30,0	3	30,0-40,0	2
L11K-044Cu	245 kV	40,0	2	40,0	2

*) please specify exact diameter in case of order

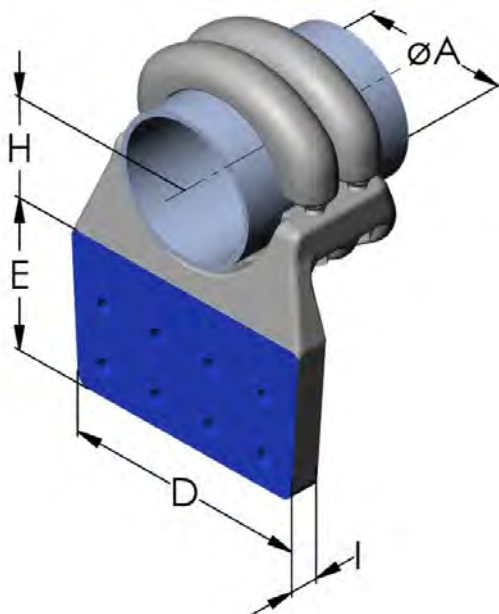
AI-90° Connector

For tube/stem



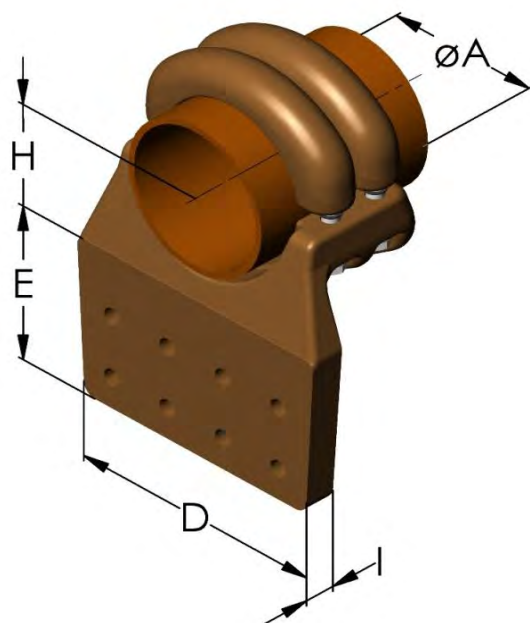
Article No.	Voltage	$\varnothing A$ *)	Screwpairs A	$\varnothing B$ *)	Screwpairs B
L11K-053	245 kV	50	1	32,0	2
L11K-055	420 kV	50-62	1	50-62	1
L11K-062	245 kV	62	1	32,0	2
L11K-063	245 kV	65	1	32,0	2
L11K-073	420 kV	72	1	32,0	2

*) please specify exact diameter in case of order



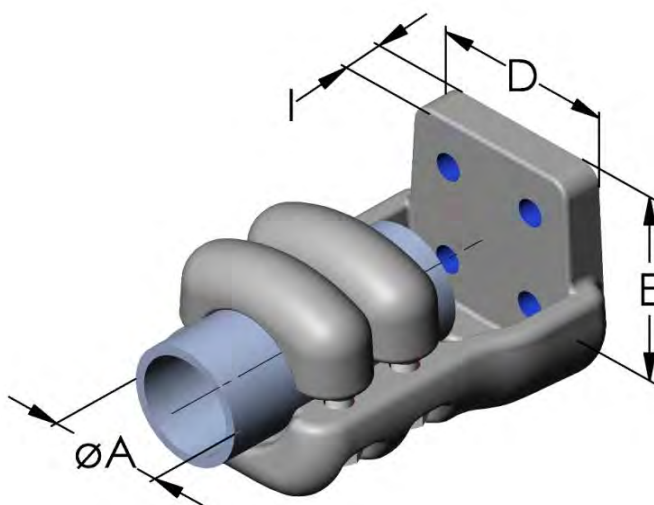
Article No.	Voltage	ØA *)	Covers A	Height H	D	Flat terminal	
						E	I
L1FK-022	245 kV	16,0-22,0	3	125	100	100	12
L1FK-024	245 kV	16,0-24,0	2	140	100	100	12
L1FK-028	245 kV	22,0-33,0	2	129	100	100	15
L1FK-029	245 kV	20,0-32,0	2	110	80	75	14
L1FK-030	245 kV	22,0-32,0	2	155	122	100	20
L1FK-032	245 kV	20,0-32,0	3	130	100	100	15
L1FK-040	245 kV	30,0-42,0	2	142	100	100	18
L1FK-041	420 kV	28,5-44,0	3	150	100	100	18
L1FK-042	245 kV	30,0-40,0	3	142	100	100	15
L1FK-043	245 kV	30,0-40,0	4	167	125	125	20
L1FK-045	245 kV	30,0-42,0	3	140	100	200	15
L1FK-046	420 kV	30,0-44,0	4	150	100	100	17
L1FK-050	245 kV	40,0-50,0	2	150	100	100	20
L1FK-051	420 kV	40,0-54,8	2	150	100	100	15
L1FK-055	550 kV	45,5-46,5	3	200	100	150	15
L1FK-082	420 kV	80	2	190	125	125	20
L1FK-090	245 kV	90-100	2	175	100	100	20
L1FK-101	420 kV	100	2	200	125	125	20
L1FK-120	550 kV	114-120	2	26,5	125	125	25
L1FK-126	420 kV	120	2	177	100	100	30
L1FK-127	420 kV	120-125	2	210	125	200	25
L1FK-142	550 kV	141	2	245	125	125	20
L1FK-160	245 kV	160	2	120	100	200	20
L1FK-163	550 kV	160	2	245	125	300	25

*) please specify exact diameter in case of order



Article No.	Voltage	ØA *)	Covers A	Height H	D	Flat terminal	
						E	I
L1FK-022Cu	245 kV	14,0-21,0	2	130	100	100	8
L1FK-023Cu	245 kV	14,0-21,0	2	90	60	60	8
L1FK-030Cu	245 kV	21,0-30,0	2	133	100	100	12

*) please specify exact diameter in case of order

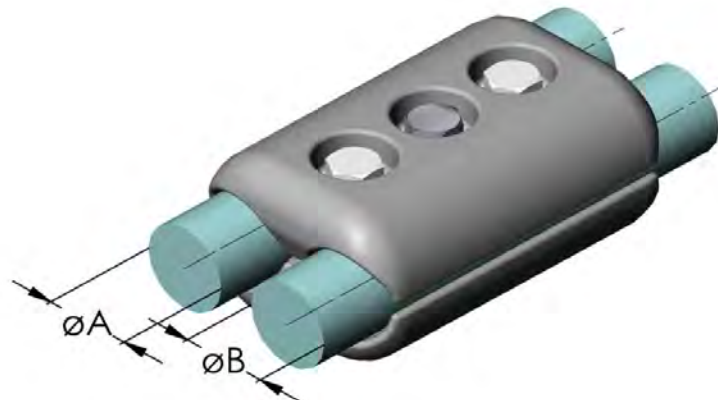


Article No.	Voltage	ØA *)	Covers A	Flat terminal		
				D	E	I
L1FK-060	245 kV	50-63	2	100	100	20
L1FK-063	245 kV	60-63	2	100	100	20
L1FK-064	420 kV	50-63	2	100	100	20
L1FK-121	420 kV	120	2	200	100	25

*) please specify exact diameter in case of order

Al-Parallel groove connector for single conductor

2 conductors run

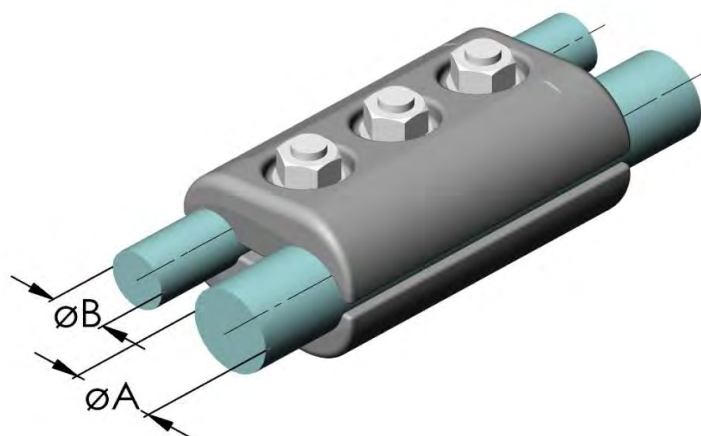


Article No.	Voltage	ØA *)	ØB *)	Screws
P11K-028	550 kV	22,0-33,0	22,0-33,0	3
P11K-211	245 kV	19,1-21,1	19,1-21,1	3
P11K-225	245 kV	12,6-22,5	12,6-22,5	3
P11K-226	245 kV	12,6-22,5	12,6-22,5	3
P11K-234	245 kV	21,2-23,4	21,2-23,4	3
P11K-257	245 kV	23,5-25,7	23,5-25,7	3
P11K-299	245 kV	28,0-29,9	28,0-29,9	3
P11K-319	245 kV	30,0-31,9	30,0-31,9	3
P11K-326	420 kV	22,5-32,6	22,5-32,6	3
P11K-328	420 kV	22,5-32,6	22,5-32,6	3
P11K-329	420 kV	22,5-32,6	22,5-32,6	3
P11K-330	420 kV	22,0-33,0	22,0-33,0	3
P11K-340	245 kV	32,0-34,0	32,0-34,0	3
P11K-360	245 kV	35,0-36,0	35,0-36,0	3
P11K-365	420 kV	36,0-37,0	36,0-37,0	3
P11K-368	420 kV	35,3-36,8	35,3-36,8	3
P11K-392	420 kV	31,2-39,2	31,2-39,2	3
P11K-395	420 kV	37,1-39,2	37,1-39,2	5
P11K-411	550 kV	30,0-44,0	30,0-44,0	3
P11K-413	420 kV	40,0-42,0	40,0-42,0	5
P11K-432	245 kV	39,2-43,2	39,2-43,2	3
P11K-446	420 kV	46,3	46,3	3
P11K-447	420 kV	30,0-44,0	30,0-44,0	3
P11K-548	550 kV	46,3-54,8	46,3-54,8	3

*) please specify exact diameter in case of order

Al-Parallel groove connector for single conductor

2 conductors run (reduction of Ø)



Article No.	Voltage	ØA *)	ØB *)	Screws
P11K-026	245 kV	22,5-32,6	12,6-22,5	3
P11K-029	245 kV	14,5-20,8	13,0-16,5	3
P11K-030	245 kV	20,9-33,2	13,0-20,2	3
P11K-039	245 kV	39,2	30,7-32,0	4
P11K-040	245 kV	38,6-43,4	22,2-29,1	3
P11K-317	420 kV	22,5-34,6	22,5-36,7	4
P11K-327	420 kV	27,37	27,37-36,67	3
P11K-396	420 kV	35,0-39,2	22,0-39,2	5

*) please specify exact diameter in case of order

Al-Parallel groove connector for single conductor

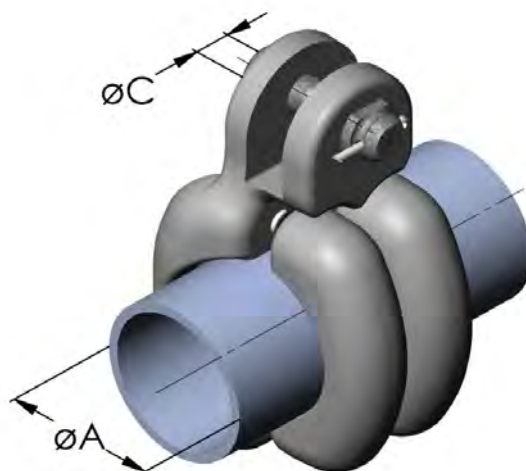
For conductor run/end



Article No.	Voltage	ØA *)	ØB *)	Screws
P11K-037	550 kV	37,0-39,2	37,0-39,2	3
P11K-046	550 kV	46,0-46,3	46,0-46,3	3
P11K-412	550 kV	30,0-44,0	30,0-44,0	5

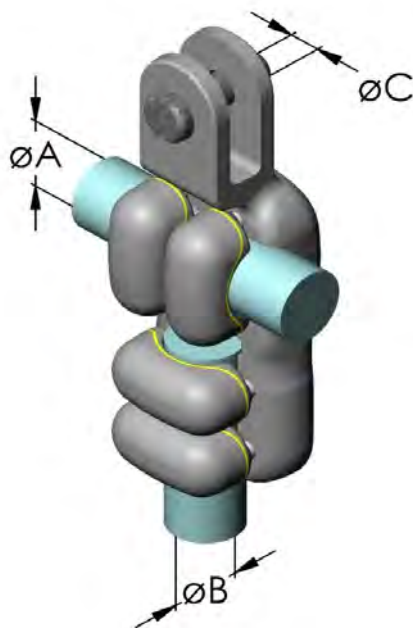
*) please specify exact diameter in case of order

AI-Suspension connector for single conductor



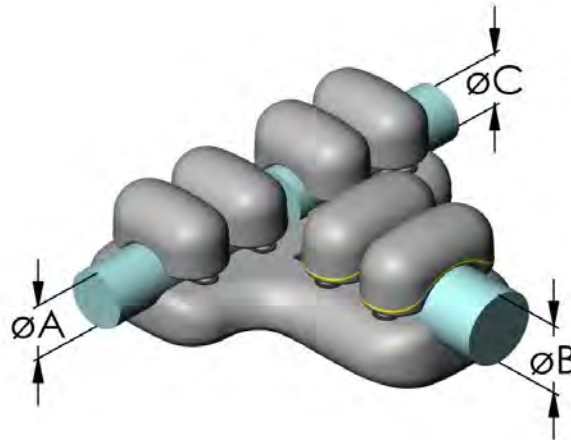
Article No.	Voltage	$\varnothing A$ *)	Covers A	$\varnothing C$
SI1K-027	245 kV	20,0-27,5	1	19
SI1K-032	245 kV	25,0-33,0	2	19
SI1K-042	420 kV	30,0-44,0	2	19
SI1K-080	420 kV	80	2	19
SI1K-100	420 kV	100	2	19
SI1K-120	420 kV	120	2	19
SI1K-141	420 kV	140-141,3	2	19
SI1K-160	245 kV	160	2	19
SI1K-200	245 kV	200	2	19

*) please specify exact diameter in case of order



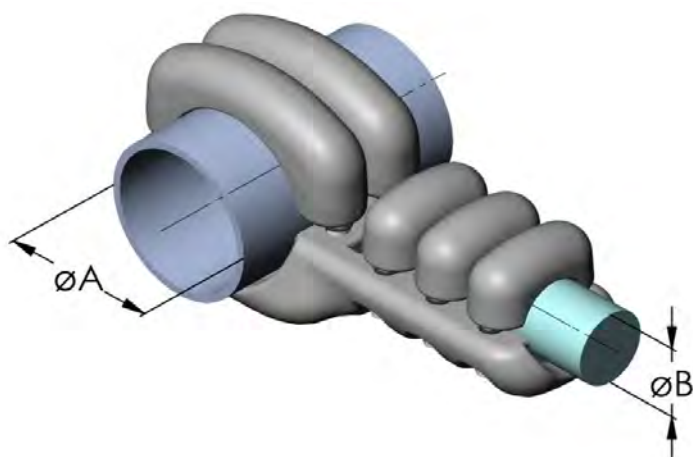
Article No.	Voltage	ØA *)	Covers A	ØB *)	Covers B	ØC
ST11K-033	420 kV	20,0-32,0	2	20,0-32,0	2	19
ST11K-043	420 kV	28,5-44,0	2	28,5-44,0	2	19
ST11K-044	420 kV	16,0-42,0	3	16,0-42,0	3	19/22
ST11K-045	420 kV	16,0-44,0	3	16,0-44,0	3	19/22

*) please specify exact diameter in case of order



Article No.	Voltage	ØA *)	Covers A	ØB *)	Covers B	ØC *)	Covers C
T111K-032	420 kV	18,3-33,8	2	28,5-44,8	2	21,0-30,0	2
T111K-090	245 kV	70-88,9	2	40,0-50,0	2	21,0-30,0	2
T111K-232	245 kV	22,0-32,0	2	30,0-32,0	2	21,0-30,0	2
T111K-335	245 kV	28,5-30,6	2	40,0-52,0	2	28,5-30,6	2
T111K-444	245 kV	30,0-42,0	3	30,0-42,0	3	30,0-42,0	2

*) please specify exact diameter in case of order



Article No.	Voltage	ØA *)	Covers A	ØB *)	Covers B
T11K-013	145 kV	9,0-16,3	2	40,0-54,8	2
T11K-017	245 kV	9,0-16,3	2	16,3-24,5	2
T11K-018	245 kV	5,0-16,0	2	22,0-32,0	2
T11K-021	245 kV	16,0-22,0	2	22,0-32,0	2
T11K-022A	245 kV	16,3-24,5	2	16,3-24,5	2
T11K-022B	245 kV	16,3-24,5	2	16,3-24,5	2
T11K-022C	245 kV	16,3-24,5	2	16,3-24,5	2
T11K-023	245 kV	16,3-24,5	3	16,3-24,5	3
T11K-024	245 kV	16,0-22,0	3	20,0-32,0	2
T11K-025	245 kV	16,0-22,0	3	40,0-50,0	2
T11K-026	145 kV	30,0-42,0	2	30,0-42,0	3
T11K-027	245 kV	22,0-32,0	2	16,0-22,0	2
T11K-028	245 kV	20,0-33,0	2	30,0-42,0	2
T11K-029	420 kV	20,0-32,0	2	20,0-32,0	2
T11K-030	420 kV	22,0-32,0	3	22,0-32,0	2
T11K-031	245 kV	22,0-32,0	2	30,0-40,0	3
T11K-032A	245 kV	20,3-32,6	2	20,3-32,6	2
T11K-032B	245 kV	20,3-32,6	2	20,3-32,6	2
T11K-032C	245 kV	19,0-32,6	2	19,0-32,6	2
T11K-033	245 kV	20,0-32,0	3	20,0-32,0	3
T11K-034	245 kV	20,0-32,0	3	20,0-32,0	2

*) please specify exact diameter in case of order

Article No.	Voltage	ØA *)	Covers A	ØB *)	Covers B
T11K-035	420 kV	20,0-32,0	3	20,0-32,0	3
T11K-036	245 kV	22,0-32,0	3	40,0-50,0	2
T11K-037	245 kV	22,0-32,0	3	30,0-42,0	3
T11K-038	245 kV	22,0-32,0	3	30,0-40,0	2
T11K-039	245 kV	22,0-33,0	2	60-63	2
T11K-040	245 kV	30,0-42,0	3	30,0-42,0	3
T11K-040A	245 kV	30,0-42,0	3	30,0-42,0	3
T11K-040B	245 kV	30,0-42,0	3	30,0-42,0	3
T11K-040C	245 kV	30,0-42,0	3	30,0-42,0	3
T11K-041	550 kV	20,0-32,0	3	20,0-32,0	3
T11K-042	245 kV	30,0-40,0	2	16,0-22,0	2
T11K-043	245 kV	30,0-42,0	3	22,0-32,0	2
T11K-044	550 kV	30,0-42,0	3	20,0-32,0	3
T11K-046	420 kV	46,3	3	46,3	3
T11K-047	245 kV	30,0-42,0	3	30,0-42,0	2
T11K-047A	245 kV	30,0-42,0	3	30,0-42,0	2
T11K-047B	245 kV	30,0-42,0	3	30,0-42,0	2
T11K-047C	245 kV	30,0-42,0	3	30,0-42,0	2
T11K-048	245 kV	30,0-40,0	2	22,0-33,0	2
T11K-049	245 kV	30,0-42,0	3	60-63	2
T11K-050	420 kV	30,0-50,0	3	30,0-50,0	3
T11K-051	245 kV	40,0-50,0	2	20,0-32,0	3
T11K-052	245 kV	50	2	30,0-32,0	2
T11K-053	245 kV	50	2	30,0	2
T11K-054	245 kV	40,0-52,0	3	30,0-42,0	4
T11K-055	245 kV	50	2	50,0	2
T11K-056	245 kV	30,0-42,0	4	30,0-42,0	4
T11K-057	420 kV	30,0-42,0	3	30,0-42,0	3
T11K-058	245 kV	22,0-32,0	2	50,0-52,0	2
T11K-059	245 kV	60-63	1	12,0-22,0	2
T11K-060	245 kV	60-63	2	22,0-32,0	2
T11K-061	420 kV	30,0-42,0	3	30,0-42,0	3
T11K-062	245 kV	43,2	3	22,0-32,0	3
T11K-063	245 kV	60-63	2	22,0-32,0	3
T11K-064	245 kV	60-63	2	30,0-42,0	2
T11K-065	245 kV	60-63	2	40,0-52,0	3
T11K-066	245 kV	60-63	2	60-63	2
T11K-067	245 kV	60-63	2	40,0-52,0	3
T11K-070	245 kV	30,0-42,0	4	60-63	2
T11K-071	245 kV	30,0-42,0	3	30,0-42,0	3
T11K-073	550 kV	30,0-42,0	2	20,3-33,6	2
T11K-075	245 kV	30,0-42,0	2	30,0-42,0	2
T11K-078	245 kV	30,6-32,6	3	54,0-63,0	2

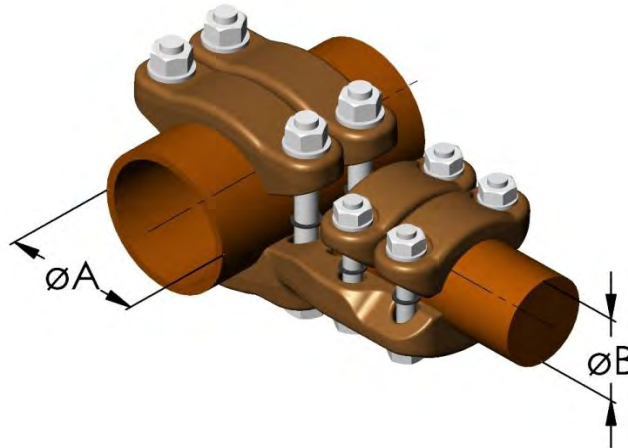
*) please specify exact diameter in case of order

Article No.	Voltage	ØA *)	Covers A	ØB *)	Covers B
T11K-079	550 kV	30,0-42,0	2	30,0-42,0	2
T11K-080	245 kV	70-80	2	70,0-80,0	2
T11K-081	245 kV	80	2	26,0-33,0	2
T11K-082	245 kV	80	2	20,0-32,0	3
T11K-083	245 kV	80	2	30,0-40,0	3
T11K-084	245 kV	70-80	2	30,0-42,0	2
T11K-085	245 kV	80	2	50,0	2
T11K-086	245 kV	80	2	60-63	2
T11K-087	420 kV	40,0-52,0	3	30,0-32,0	2
T11K-089	245 kV	80	2	50,0	2
T11K-090	245 kV	80	2	20,3-33,8	3
T11K-092	420 kV	30,0-42,0	4	30,0-42,0	4
T11K-093	420 kV	80	2	60-63	3
T11K-100	245 kV	100	1	22,0-32,0	2
T11K-101	245 kV	100	2	22,0-32,0	3
T11K-102	245 kV	100	1	16,0-22,0	2
T11K-103	245 kV	100	2	22,0-33,0	2
T11K-104	245 kV	88-100	2	30,0-40,0	3
T11K-105	245 kV	88-100	2	30,0-40,0	2
T11K-106	245 kV	100	2	160,0	2
T11K-107	245 kV	100	2	30,0-40,0	4
T11K-108	245 kV	100	3	100,0	3
T11K-111	420 kV	90-100	2	45,5-46,5	3
T11K-112	420 kV	40,0-54,8	3	100,0	2
T11K-113	420 kV	100	2	30,0-42,0	3
T11K-114	420 kV	100	2	30,0-40,0	4
T11K-119	420 kV	120-125	2	28,5-44,0	3
T11K-120	245 kV	120-125	2	20,0-33,0	3
T11K-122	420 kV	114,3-120,0	2	30,0-42,0	3
T11K-123	245 kV	120	2	30,0-42,0	3
T11K-124	245 kV	114,0-125,0	2	30,0-42,0	3
T11K-125	245 kV	120-125	2	40,0-50,0	2
T11K-126	245 kV	120	2	60-63	2
T11K-127	420 kV	125	2	50,0	2
T11K-128	420 kV	114-120	2	114,0-120,0	2
T11K-129	420 kV	120	1	28,5-33,0	2
T11K-131	420 kV	120	1	120,0	1
T11K-132	420 kV	120	1	45,5-54,8	2
T11K-133	420 kV	120	1	120,0	1
T11K-141	550 kV	140-141,3	2	60-63	2
T11K-142	550 kV	140-141,3	2	30,0-42,0	2
T11K-143	550 kV	140-141,3	2	30,0-42,0	2
T11K-150	420 kV	140-160	2	40-62	3

*) please specify exact diameter in case of order

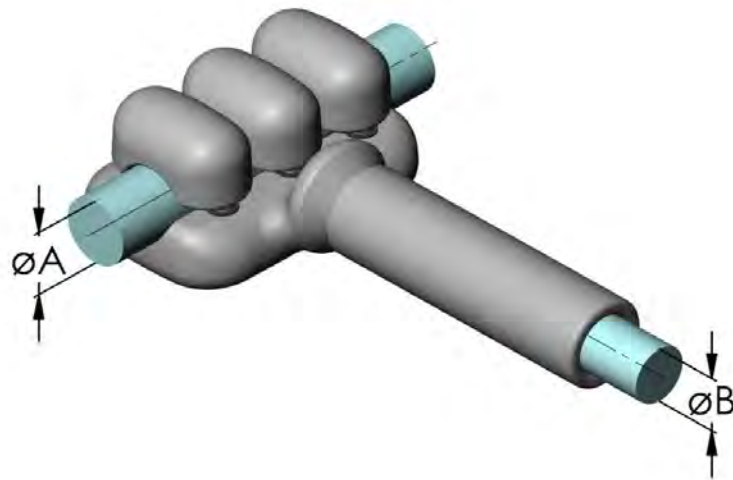
Article No.	Voltage	ØA *)	Covers A	ØB *)	Covers B
T11K-151	420 kV	150-160	2	28,5-44,0	4
T11K-152	420 kV	150-160	2	150-160	2
T11K-160	550 kV	160	3	160	3
T11K-163	550 kV	160	2	40-62	3
T11K-164	245 kV	160	1	24,5-42,0	2
T11K-165	420 kV	140	2	30,0-42,0	3
T11K-166	550 kV	160	2	40-62	3
T11K-167	245 kV	160	2	30,0-42,0	3
T11K-168	420 kV	160	2	30,0-42,0	3
T11K-170	245 kV	150-160	1	16,3-24,5	2
T11K-195	420 kV	190	1	50	2
T11K-200	550 kV	200	3	200	3
T11K-204	550 kV	200	2	30,0-43,0	3
T11K-205	245 kV	200	2	22,0-33,0	3
T11K-206	550 kV	200	2	30,0-62,0	3
T11K-250	420 kV	250	3	250	3
T11K-253	420 kV	250	1	20,3-33,8	2
T11K-254	420 kV	250	2	30,0-42,0	3
T11K-255	420 kV	250	2	114,3-120,0	2
T11K-256	550 kV	250	2	40-62	3
T11K-301	145 kV	300	2	28,5-44,8	2
T11K-363	420 kV	63	1	63	1
T11K-365	420 kV	50-62	2	30,0-42,0	3
T11K-370	245 kV	70-88,9	2	18,3-33,8	2
T11K-451	245 kV	40,0-55,8	2	30,0-44,0	2
T11K-520	550 kV	120	2	46,0-55,0	3
T11K-530	420 kV	50,0-52,0	2	30,0-44,8	3
T11K-531	550 kV	20,3-33,6	2	30,0-42,0	2
T11K-532	245 kV	18,3-33,0	3	18,3-33,0	3
T11K-533	420 kV	25,8-32,6	2	25,8-32,6	2
T11K-535	420 kV	35,0-42,0	3	35,0-42,0	3
T11K-538	245 kV	28,5-30,6	2	50,0-52,0	2
T11K-542	420 kV	30,0-44,0	3	30,0-44,0	3
T11K-543	420 kV	28,5,0-44,0	3	28,5-44,0	2
T11K-550	420 kV	35,0-44,0	3	50,0-53,0	2
T11K-555	550 kV	46,3-54,8	3	46,3-54,8	3
T11K-556	420 kV	30,0-52,0	3	30,0-52,0	3
T11K-564	420 kV	63	2	41,2-44,0	3

*) please specify exact diameter in case of order



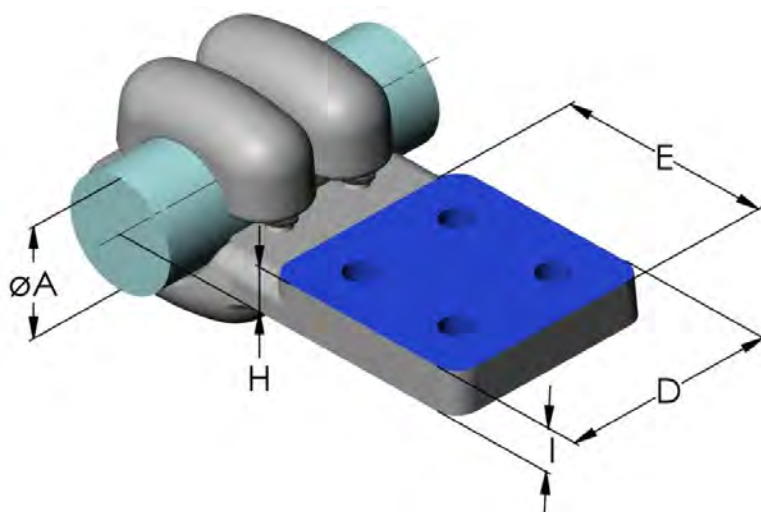
Article No.	Voltage	ØA *)	Covers A	ØB *)	Covers B
T11K-017Cu	245 kV	5,0-14,0	2	14,0-21,0	2
T11K-022Cu	245 kV	14,0-21,0	2	14,0-21,0	2
T11K-023Cu	245 kV	14,0-21,0	2	21,0-30,0	2
T11K-033Cu	245 kV	18,3-30,6	2	18,3-30,6	2
T11K-042Cu	245 kV	30,0-40,0	2	12,5,0-21,0	2
T11K-043Cu	245 kV	30,0-40,0	3	21,0-30,0	3
T11K-052Cu	245 kV	40,0-50,0	2	12,5-21,0	2
T11K-060Cu	245 kV	60	2	21,0-30,0	2
T11K-062Cu	245 kV	60	2	12,5-21,0	2
T11K-076Cu	245 kV	76-80	2	40,0-50,0	2
T11K-099Cu	245 kV	100	1	14,0-21,0	2
T11K-103Cu	245 kV	100	1	21,0-30,0	2
T11K-104Cu	245 kV	100	2	30,0-40,0	3
T11K-524Cu	245 kV	14,3-24,5	2	18,3-30,5	2
T11K-525Cu	245 kV	14,3-24,5	2	40,0-50,0	2
T11K-553Cu	245 kV	40,0-50,0	2	40,0-50,0	2
T11K-560Cu	245 kV	20,2-30,6	3	50-60	2

*) please specify exact diameter in case of order



Article No.	Voltage	ØA *)	Covers A	ØB *)
T11R-031	245 kV	20,0-33,0	3	21,9
T11R-032	550 kV	22,5-32,6	2	31,96
T11R-033	550 kV	32,7-52,0	2	31,96
T11R-034	245 kV	20,0-33,0	3	30,6
T11R-035	245 kV	20,0-33,0	3	32,55
T11R-036	245 kV	35,0-52,0	2	36,9
T11R-037	550 kV	22,5-32,6	2	40,7
T11R-038	550 kV	22,5-32,6	2	46,3
T11R-039	420 kV	30,0-44,0	3	38,25
T11R-040	420 kV	30,0-52,0	2	30,22
T11R-080	420 kV	80	2	31,7
T11R-081	245 kV	80	2	30,22

*) please specify exact diameter in case of order



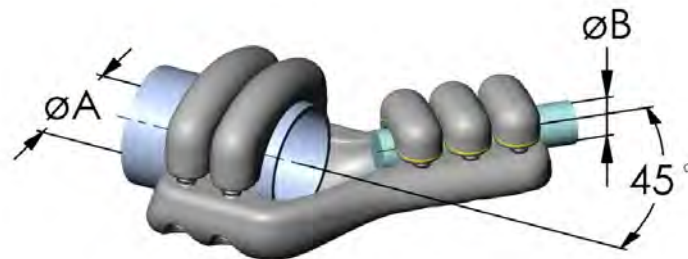
Article No.	Voltage	ØA *)	Covers A	Height H	Flat terminal		
					D	E	I
T1FK-023	245 kV	16,0-22,0	2	0	80	80	12
T1FK-024	245 kV	16,0-24,0	2	0	100	100	12
T1FK-025	245 kV	16,0-24,0	2	0	100	90	12
T1FK-031	245 kV	22,0-33,0	2	0	80	80	12
T1FK-032	245 kV	22,0-33,0	3	0	80	80	12
T1FK-033	245 kV	22,0-32,0	3	32	125	125	14
T1FK-034	245 kV	22,0-33,0	3	50	80	80	14
T1FK-036	245 kV	20,3-33,8	3	40	100	100	16
T1FK-037	420 kV	30,0-44,0	3	40	100	100	15
T1FK-039	245 kV	30,0-40,0	4	0	75	75	20
T1FK-040	245 kV	30,0-40,0	4	0	75	75	20
T1FK-041	245 kV	30,0-42,0	3	0	80	80	20
T1FK-042	245 kV	30,0-42,0	3	0	100	100	15
T1FK-043	420 kV	30,0-40,0	3	70	100	100	15
T1FK-045	245 kV	30,0-42,0	3	40	150	100	13
T1FK-046	420 kV	30,0-44,0	3	43	200	100	15
T1FK-047	420 kV	45,5-46,5	2	0	80	80	15
T1FK-050	420 kV	40,0-52,0	2	0	100	100	20
T1FK-060	245 kV	60-63	2	0	75	75	20
T1FK-081	145 kV	80	2	102	200	100	12
T1FK-082	145 kV	80	2	102	100	100	12

*) please specify exact diameter in case of order

Al-T-Flat terminal connector

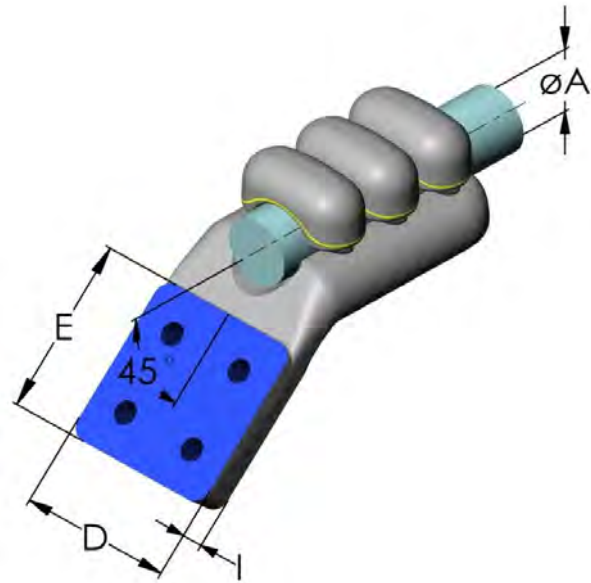
Article No.	Voltage	ØA *)	Covers A	Height H	Flat terminal		
					D	E	I
T1FK-083	420 kV	80	2	0	100	100	20
T1FK-100	245 kV	100	2	0	100	100	20
T1FK-101	245 kV	100	2	0	50	50	20
T1FK-102	245 kV	100	2	0	80	80	20
T1FK-120	550 kV	114,3-120	2	0	100	100	25
T1FK-160	550 kV	150-160	2	0	100	100	25
T1FK-161	550 kV	160	2	0	75	100	25
T1FK-162	420 kV	160	1	0	100	100	25
T1FK-250	420 kV	250	2	0	125	125	25
T1FK-536	245 kV	18,3-33,8	3	40	100	100	16

*) please specify exact diameter in case of order



Article No.	Voltage	ØA *)	Covers A	ØB *)	Covers B
V11K-021	245 kV	20,0-22,0	2	9,0-16,0	2
V11K-023	245 kV	16,0-22,0	2	30,0-32,0	2
V11K-031	245 kV	22,0-32,0	2	5,0-16,0	2
V11K-043	245 kV	30,0-42,0	2	20,0-32,0	3
V11K-044	420 kV	30,0-44,0	3	30,0-44,0	3
V11K-052	245 kV	40,0-52,0	2	20,0-33,0	2
V11K-053	245 kV	40,0-52,0	3	30,0-42,0	3
V11K-064	245 kV	60-63	2	30,0-42,0	3
V11K-080	245 kV	80	2	40,0-52,0	2
V11K-083	245 kV	70-80	2	22,0-32,0	2
V11K-100	245 kV	100	2	16,0-24,0	2
V11K-101	420 kV	100	2	100	2
V11K-120	420 kV	120	2	30,0-44,0	3
V11K-161	420 kV	160	2	160	2

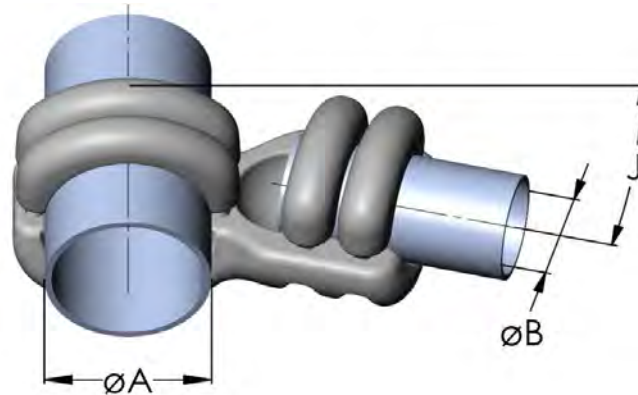
*) please specify exact diameter in case of order



Article No.	Voltage	ØA *)	Covers A	Flat terminal		
				D	E	I
V1FK-022	245 kV	16,0-22,0	3	100	100	12
V1FK-032	245 kV	20,0-32,0	3	100	100	14
V1FK-042	420 kV	30,0-44,0	3	100	100	20
V1FK-044	420 kV	30,0-44,0	4	100	100	20
V1FK-050	245 kV	30,0-54,0	2	100	100	20
V1FK-141	420 kV	141,3	2	125	125	26,5
V1FK-150	420 kV	150	2	125	125	25
V1FK-160	420 kV	160	2	125	125	25
V1FK-168	420 kV	168,2	2	125	125	25

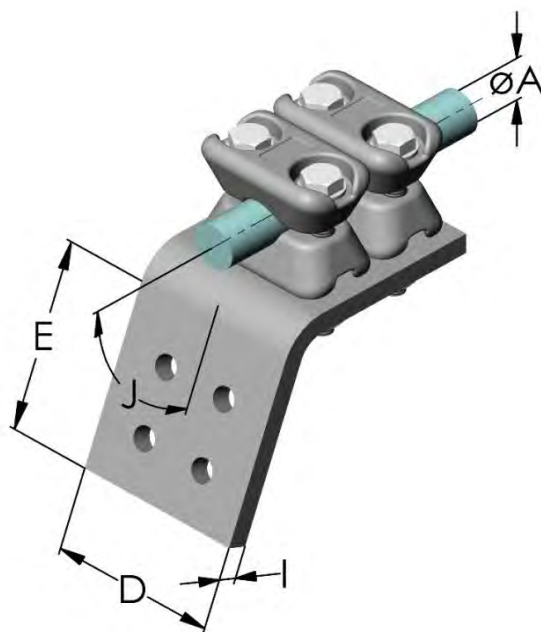
*) please specify exact diameter in case of order

A-Frame bottom



Article No.	Voltage	ØA *)	Covers A	ØB *)	Covers B	Angle J
W11K-036	245 kV	30,0-42,0	2	20,0-33,0	2	60°
W11K-063	245 kV	50-63	2	30,0-42,0	3	30°
W11K-080	420 kV	80	2	80	2	15°
W11K-081	245 kV	80	2	80	2	30°
W11K-100	245 kV	100	2	100	2	15°
W11K-101	420 kV	100	2	100	2	60°
W11K-120	245 kV	120	2	120	2	75°
W11K-123	420 kV	120	2	120	2	75°
W11K-128	420 kV	120	2	80	2	15°
W11K-160	420 kV	160	2	120	2	15°
W11K-161	420 kV	160	2	100	2	15°
W11K-168	420 kV	168	2	100	2	15°
W11K-220	420 kV	220	2	100	2	15°
W11K-250	550 kV	250	2	120	2	15°

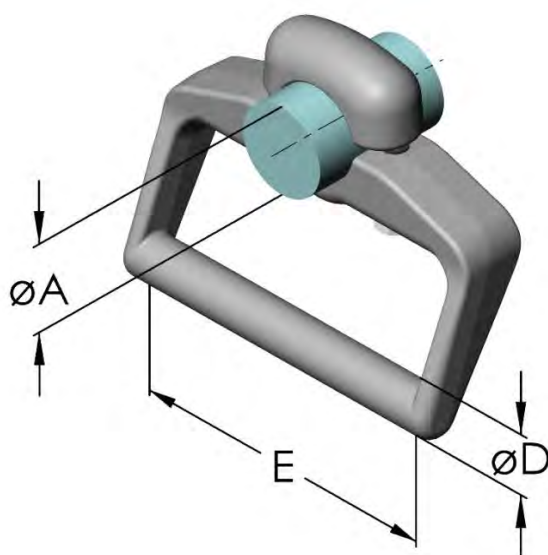
*) please specify exact diameter in case of order



Article No.	Voltage	ØA *)	Covers A	Flat terminal			Angle J
				D	E	I	
W1FK-032	245 kV	24,5-36,9	2	100	100	20	68°
W1FK-033	145 kV	20,0-32,6	3	100	100	12	30°
W1FK-036	145 kV	24,5-36,9	3	100	100	12	30°
W1FK-037	245 kV	24,5-36,9	3	80	80	20	30°

*) please specify exact diameter in case of order

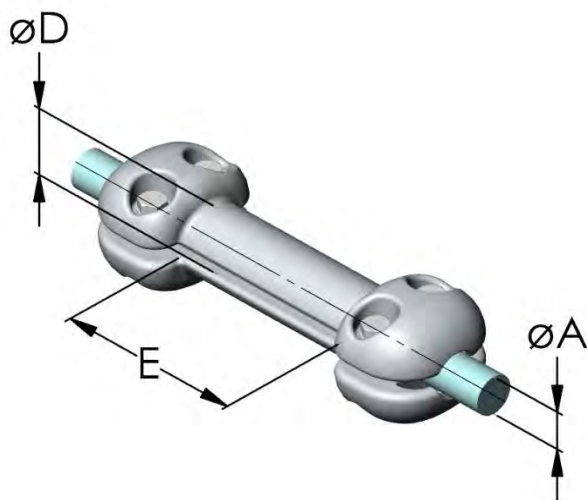
Stirrup transversal to conductor



Article No.	Voltage	ØA *)	Covers A	Stirrup-diameter ØD	Stirrup-length E
D1K-022	245 kV	14,0-22,0	1	25	75
D1K-030	245 kV	20,0-32,0	1	22	100
D1K-032	245 kV	20,0-32,0	1	22	100
D1K-033	245 kV	16,0-32,0	1	22	170
D1K-033	245 kV	14,0-21,0	1	20	100
D1K-034	420 kV	20,0-43,0	1	25	170
D1K-039C	245 kV	20,0-42,0	1	25	110
D1K-040	245 kV	20,3-44,0	1	25	174
D1K-042	245 kV	32,0-43,2	1	25	102
D1K-050	245 kV	50	1	22	130
D1K-051	245 kV	40,0-54,8	1	25	170
D1K-080	245 kV	60-80	1	25	170
D1K-081	245 kV	80	1	22	137
D1K-102	420 kV	100	1	22	138
D1K-120	245 kV	120	1	22	177
D1K-121	245 kV	120	1	25	177
D1K-125	420 kV	125	1	30	170
D1K-141	245 kV	140-168,2	1	25	100
D1K-142	550 kV	140-141,3	1	30	100
D1K-161	245 kV	160	1	25	100
D1K-162	550 kV	150-168,3	1	25	160
D1K-201	245 kV	200	1	25	100
D1K-202	420 kV	200	1	25	160
D1K-252	420 kV	250	1	25	102

*) please specify exact diameter in case of order

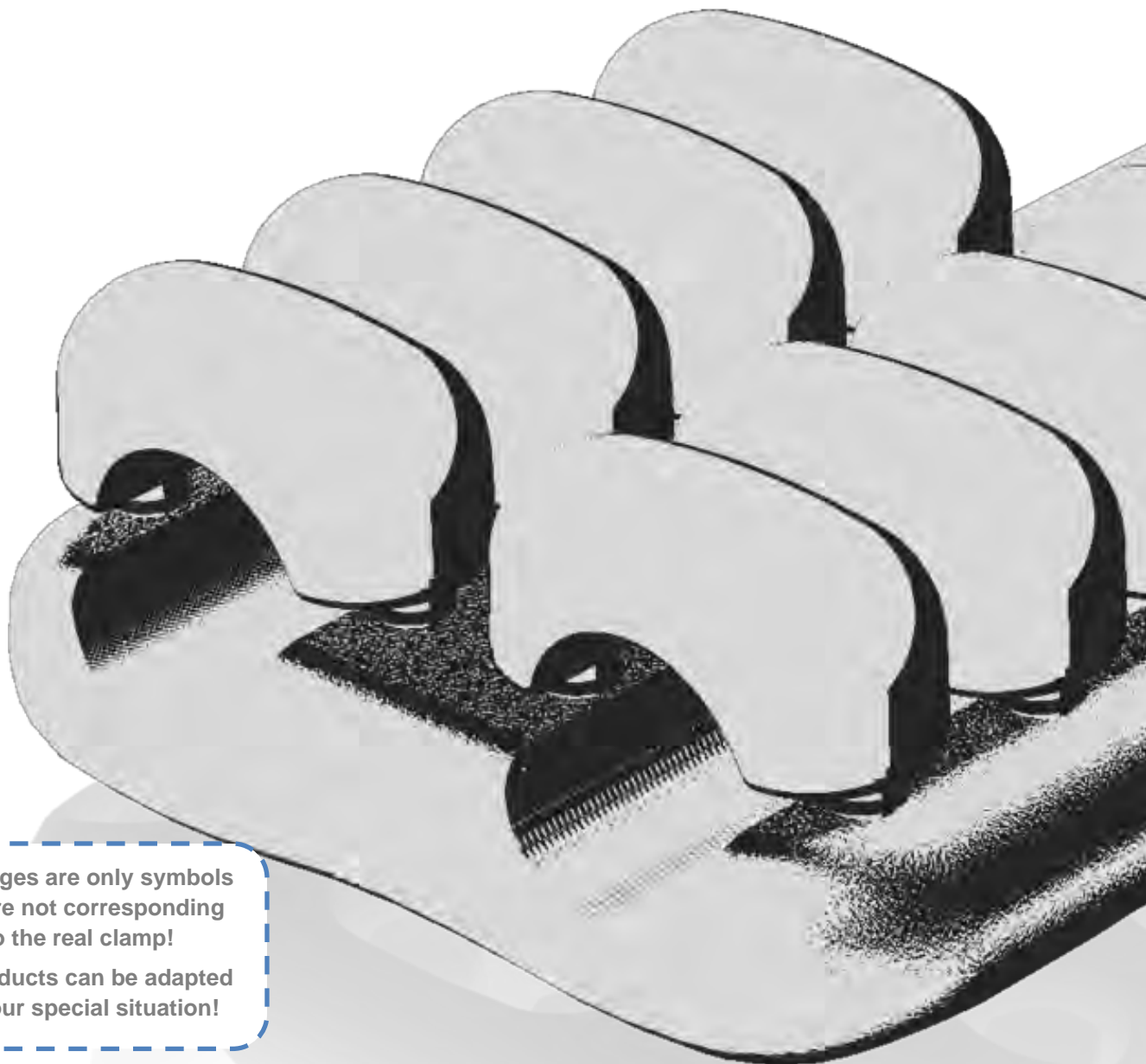
Stirrup in conductor axis



Article No.	Voltage	ØA *)	Screwpairs A	Stirrup-diameter ØD	Stirrup-length E
D1K-028	420 kV	26,5-28,5	2	50	130
D1K-029	420 kV	32,0-36,6	2	50	130
D1K-037	420 kV	36,3	2	50	70
D1K-038	420 kV	32,0-32,6	2	50	70

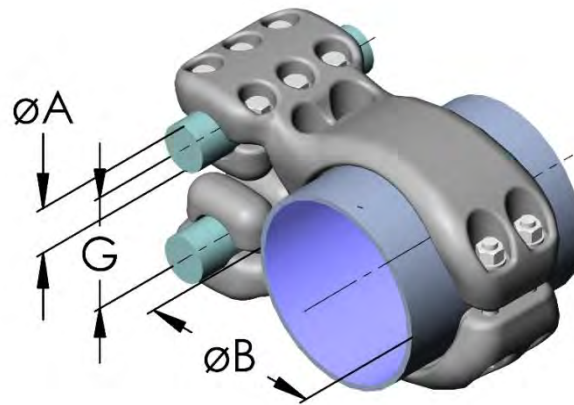
*) please specify exact diameter in case of order

- Duplex Conductor Clamps
 - Duplex Conductor Clamps
 - Triplex Conductor Clamps
 - Quadruple Conductor Clamps
 - Earthing Fixpoints
 - Spacer



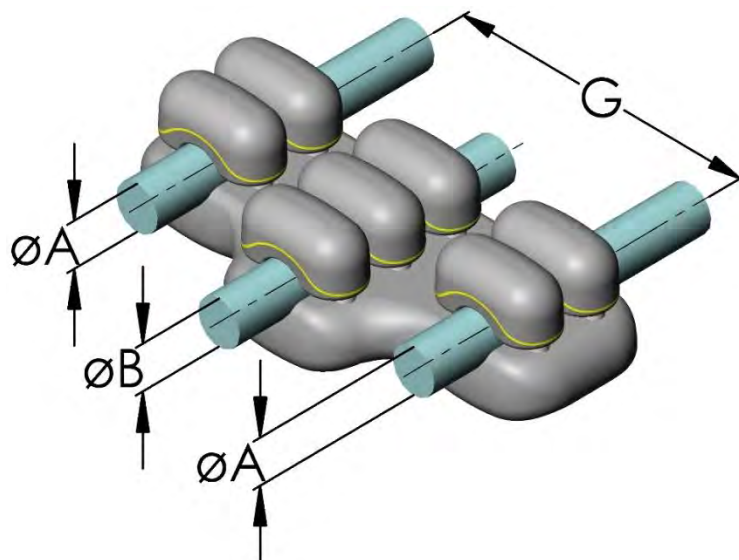
All images are only symbols
and are not corresponding
to the real clamp!

All products can be adapted
for your special situation!



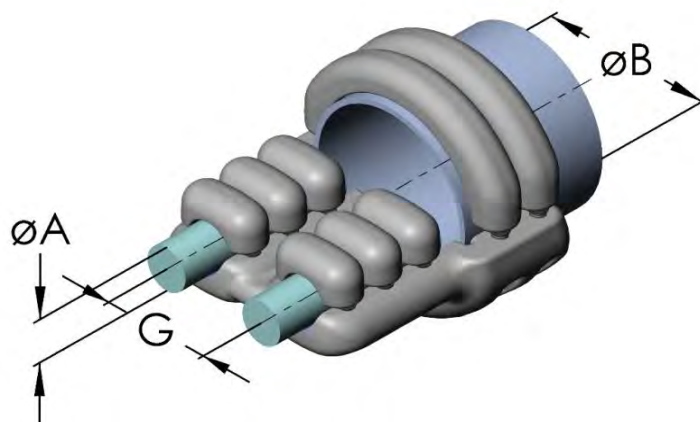
Article No.	Voltage	ØA *)	Covers A	ØB *)	Screwpairs B	Bundle-spacing G
H21K-080	245 kV	22,0-32,0	2	80	1	100
H21K-082	420 kV	30,0-42,0	3	80	2	100
H21K-084	245 kV	35,0-44,0	3	80	2	200
H21K-102	420 kV	22,0-33,0	2	100	1	100
H21K-103	420 kV	30,0-43,0	3	100	2	100
H21K-105	420 kV	30,0-42,0	4	100	2	100
H21K-106	420 kV	28,5-44,0	4	100	2	100
H21K-107	420 kV	35,0-44,0	2	100	1	100
H21K-120	550 kV	30,0-42,0	3	114,3-120	2	100
H21K-121	420 kV	30,0-43,2	3	120	2	60
H21K-124	420 kV	30,0-42,0	3	120-125	2	200
H21K-151	420 kV	30,0-44,0	3	150-160	2	100
H21K-160	420 kV	30,0-42,0	3	160	2	100
H21K-161	420 kV	30,0-42,0	3	160	2	100
H21K-164	420 kV	35,0-44,0	3	160	2	400
H21K-200	550 kV	30,0-42,0	3	200	2	100
H21K-245	550 kV	46,0-46,3	3	120	2	150
H21K-250	550 kV	30,0-42,0	3	250	2	100
H21K-252	550 kV	30,0-44,0	3	250	2	200
H21K-253	420 kV	30,6-44,0	3	250	2	60

*) please specify exact diameter in case of order



Article No.	Voltage	ØA *)	Covers A	ØB *)	Covers B	Bundle-spacing G
H21K-034	245 kV	30,0-44,0	1	16,0-24,0	2	200
H21K-043	420 kV	30,0-44,0	2	30,0-44,0	3	200
H21K-063	550 kV	40,0-52,0	2	50-63	2	400
H21K-104	420 kV	35,0-44,0	3	100	2	400
H21K-125	420 kV	22,0-32,0	3	120-125	2	250
H21K-141	420 kV	28,5-44,0	3	141	2	200
H21K-150	420 kV	30,0-40,0	4	150	2	290
H21K-254	420 kV	35,0-44,0	3	250	2	400

*) please specify exact diameter in case of order

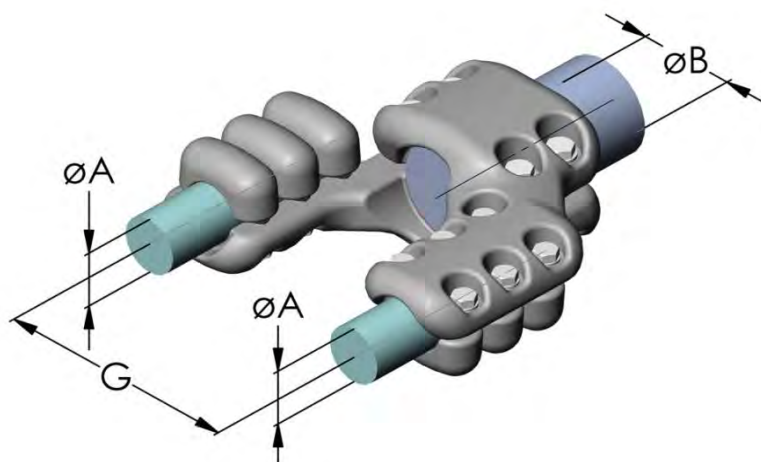


Article No.	Voltage	ØA *)	Covers A	ØB *)	Covers B	Bundle-spacing G
I21K-023	245 kV	16,0-22,0	2	20,0-32,0	2	100
I21K-031	245 kV	25,0-33,0	1	30,0-33,0	1	100
I21K-034	245 kV	22,0-32,0	2	40,0-52,0	2	85
I21K-035	420 kV	22,0-33,0	3	40,0-52,0	3	100
I21K-036	420 kV	20,0-32,0	3	40,0-52,0	3	100
I21K-037	420 kV	20,3-33,8	2	20,3-33,8	2	450
I21K-041	420 kV	30,0-42,0	2	30,0-42,0	2	400
I21K-043	245 kV	20,0-32,0	2	30,0-42,0	2	100
I21K-044	420 kV	30,0-42,0	2	30,0-42,0	2	100
I21K-048	420 kV	30,0-44,0	2	30,0-42,0	3	200
I21K-053	245 kV	22,0-33,0	2	50-63	2	70
I21K-061	245 kV	30,0-42,0	2	60-63	2	300
I21K-062	245 kV	22,0-33,0	2	60-63	2	100
I21K-063	245 kV	22,0-33,0	2	60-63	3	100
I21K-066	420 kV	50-63	3	50-63	3	200
I21K-067	420 kV	30,0-42,0	3	30-63	2	200
I21K-120	550 kV	30,0-42,0	3	120	2	100
I21K-122	420 kV	20,3-33,8	2	114-120	2	200
I21K-140	420 kV	18,3-33,8	2	140-160	2	457
I21K-160	420 kV	30,0-42,0	3	160	2	150
I21K-161	420 kV	30,0-44,0	3	160	2	100

*) please specify exact diameter in case of order

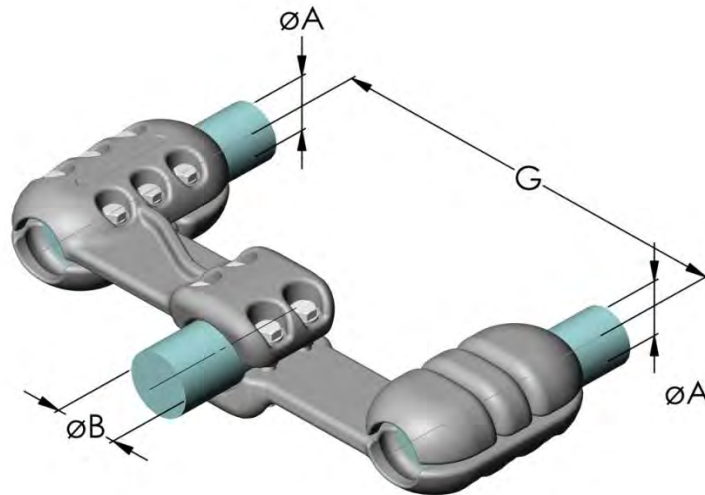
Article No.	Voltage	ØA *)	Covers A	ØB *)	Covers B	Bundle-spacing G
I21K-163	245 kV	30,0-42,0	3	160	2	110
I21K-164	550 kV	30,0-42,0	3	160-162	2	200
I21K-200	420 kV	30,0-42,0	3	200	2	200
I21K-255	245 kV	46,31	3	50	3	200
I21K-523	245 kV	30,6-33,8	2	120	2	100

*) please specify exact diameter in case of order



Article No.	Voltage	ØA *)	Covers A	ØB *)	Screwpairs B	Bundle-spacing G
I21K-028	245 kV	26,0-33,0	2	30,0-42,0	2	100
I21K-029	145 kV	24,5-36,9	2	24,5-36,9	3	200
I21K-030	245 kV	29,0-33,0	3	40,0-42,0	3	50
I21K-042	420 kV	30,0-42,0	3	30,0-42,0	3	200
I21K-045	420 kV	30,0-42,0	3	30-63	2	100
I21K-046	420 kV	35,0-42,0	1	30,0-32,0	1	200
I21K-047	420 kV	30,0-44,0	4	30-63	2	100
I21K-070	245 kV	20,0-33,0	2	70-80	2	200
I21K-080	245 kV	20,0-32,0	3	80	2	100
I21K-081	245 kV	30,0-40,0	3	80	2	85
I21K-082	420 kV	45,5-46,5	3	70-80	2	200
I21K-083	420 kV	28,5-44,0	3	80	2	200
I21K-105	420 kV	29,0-33,0	3	100	2	50
I21K-123	550 kV	46,3-54,8	2	120	2	400
I21K-150	550 kV	45,0-46,5	2	150-160	2	450
I21K-204	550 kV	30,0-43,2	3	200	2	457

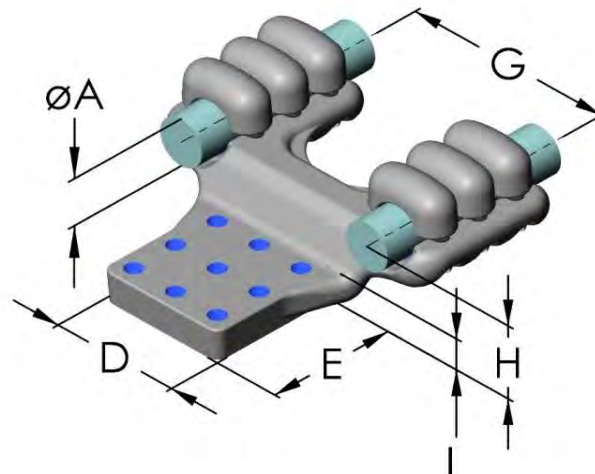
*) please specify exact diameter in case of order



Article No.	Voltage	ØA *)	Covers A	ØB *)	Screwpairs B	Bundle-spacing G
I21K-032	420 kV	20,0-32,0	2	30,0-42,0	2	200
I21K-068	550 kV	46,0-55,0	3	30-62	2	400
I21K-088	420 kV	30,0-44,0	3	78-88,9	2	200
I21K-240	420 kV	30,0-44,0	3	30-63	2	200
I21K-555	550 kV	46,0-55,0	2	80-82	2	400

*) please specify exact diameter in case of order

Al-Straight duplex flat terminal connector



Article No.	Voltage	ØA *)	Covers A	Bundle-spacing G	Height H	Flat terminal		
						D	E	I
I2FK-021	420 kV	29,0-32,6	3	50	55	200	100	15
I2FK-022	420 kV	29,0-32,6	3	50	55	100	100	15
I2FK-026	245 kV	20,0-33,0	3	100	40	80	80	20
I2FK-027	420 kV	20,0-33,0	3	100	51,5	200	100	20
I2FK-028	245 kV	20,0-33,0	3	70	50	100	100	15
I2FK-029	420 kV	30,0-42,0	3	100	65	100	100	25
I2FK-030	420 kV	30,0-42,0	3	100	50	125	125	25
I2FK-033	245 kV	20,0-33,0	3	100	50	100	100	20
I2FK-038	420 kV	30,0-42,0	3	100	50	125	125	25
I2FK-042	550 kV	30,0-42,0	3	200	55	200	100	20
I2FK-043	245 kV	30,0-40,0	4	85	85	125	125	30
I2FK-044	420 kV	30,0-42,0	3	200	0	125	125	25
I2FK-047	420 kV	30,0-42,0	3	100	0	80	80	24
I2FK-048	420 kV	30,0-42,0	4	90	45	125	125	25
I2FK-055	550 kV	45,5-46,5	3	400	32	125	125	30
I2FK-056	420 kV	30,0-44,0	4	100	0	100	100	30
I2FK-091	420 kV	28,5-33,8	3	50	54	127	160	20
I2FK-243	420 kV	28,5-44,8	3	100	50	160	160	25
I2FK-245	550 kV	46,3	3	150	50	200	100	20
I2FK-246	420 kV	46,3	3	200	50	200	100	20
I2FK-520	245 kV	16,0-24,0	2	100	30,5	100	100	15
I2FK-530	420 kV	28,5-33,0	2	100	30	125	125	15

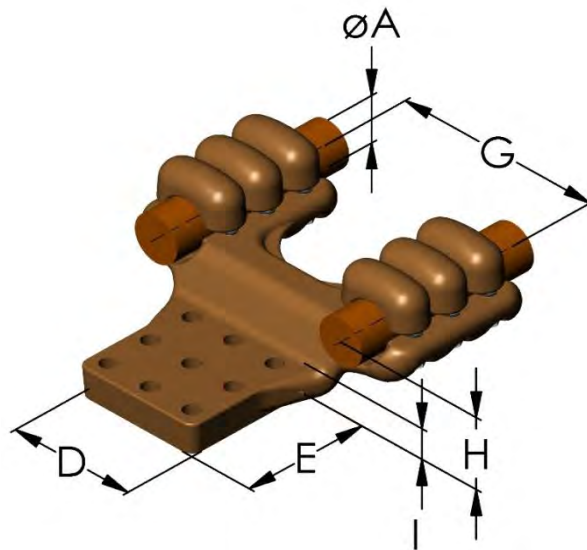
*) please specify exact diameter in case of order

Al-Straight duplex flat terminal connector

Article No.	Voltage	ØA *)	Covers A	Bundle-spacing G	Height H	Flat terminal		
						D	E	I
I2FK-531	245 kV	24,5-32,6	2	100	36	100	100	15
I2FK-532	550 kV	24,6-32,6	2	200	95	200	100	17
I2FK-533	245 kV	24,5-32,6	2	100	36	80	80	15
I2FK-536	245 kV	30,0-42,0	2	100	50	100	100	20
I2FK-539	420 kV	28,5-33,8	3	100	45	100	160	15
I2FK-546	420 kV	45,5-46,5	3	200	70	125	125	30
I2FK-555	550 kV	46,0-55,0	2	400	0	200	100	15

*) please specify exact diameter in case of order

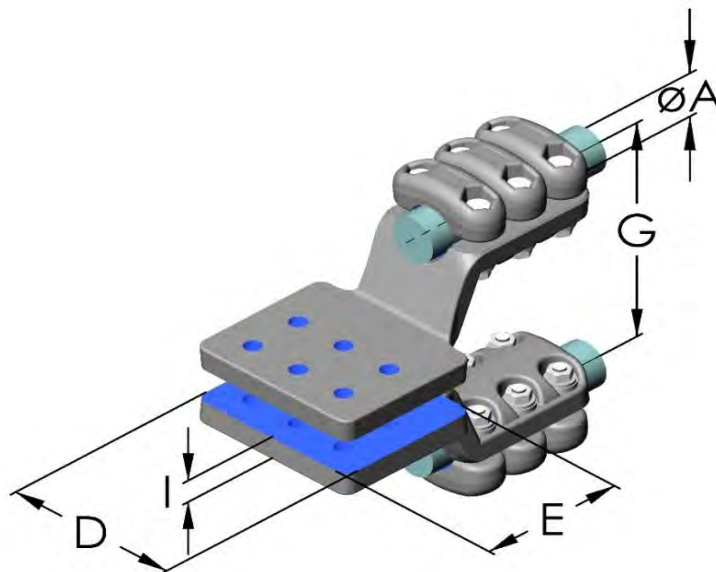
Cu-Straight duplex flat terminal connector



Article No.	Voltage	ØA *)	Covers A	Bundle-spacing G	Height H	Flat terminal		
						D	E	I
I2FK-017Cu	245 kV	12,5-17,5	2	100	26	100	100	12
I2FK-019Cu	245 kV	20,3-30,6	2	200	35	100	100	12
I2FK-027Cu	145 kV	21,0-30,0	3	85	36	130	130	20

*) please specify exact diameter in case of order

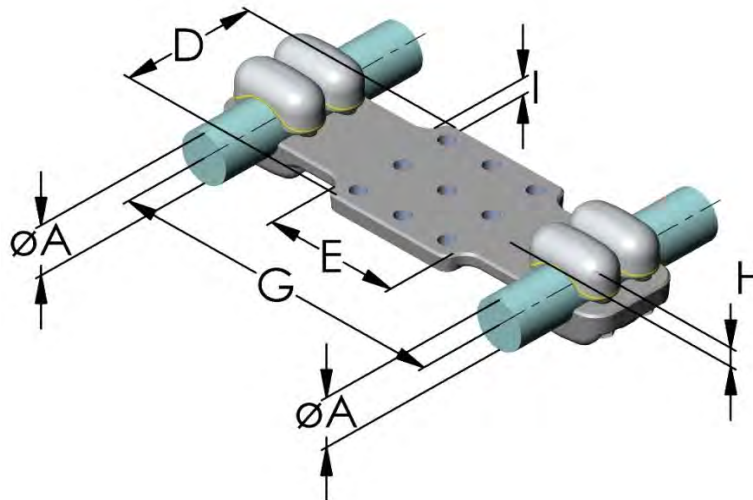
Al-Straight duplex flat terminal connector twisted



Article No.	Voltage	ØA *)	Covers A	Bundle-spacing G	Flat terminal		
					D	E	I
I2FK-020	245 kV	22,0-32,0	2	140	100	100	28
I2FK-023	245 kV	22,0-32,0	2	150	100	100	14
I2FK-036	245 kV	29,4-42,0	3	100	100	100	15
I2FK-041	245 kV	30,0-44,0	3	185	100	100	20
I2FK-046	245 kV	30,0-42,0	3	100	200	100	15
I2FK-049	420 kV	30,0-44,0	3	200	100	100	20
I2FK-050	420 kV	30,6-44,0	3	100	100	100	14
I2FK-052	245 kV	30,0-44,0	2	100	100	200	15
I2FK-053	245 kV	22,0-33,0	3	100	100	100	12
I2FK-054	550 kV	45,5-46,5	2	400	100	100	20
I2FK-100	420 kV	35,0-44,0	2	100	100	100	15
I2FK-242	420 kV	30,0-44,0	3	100	100	215	12
I2FK-247	420 kV	46,3	3	200	125	125	20
I2FK-457	245 kV	18,3-33,5	2	457	100	100	15

*) please specify exact diameter in case of order

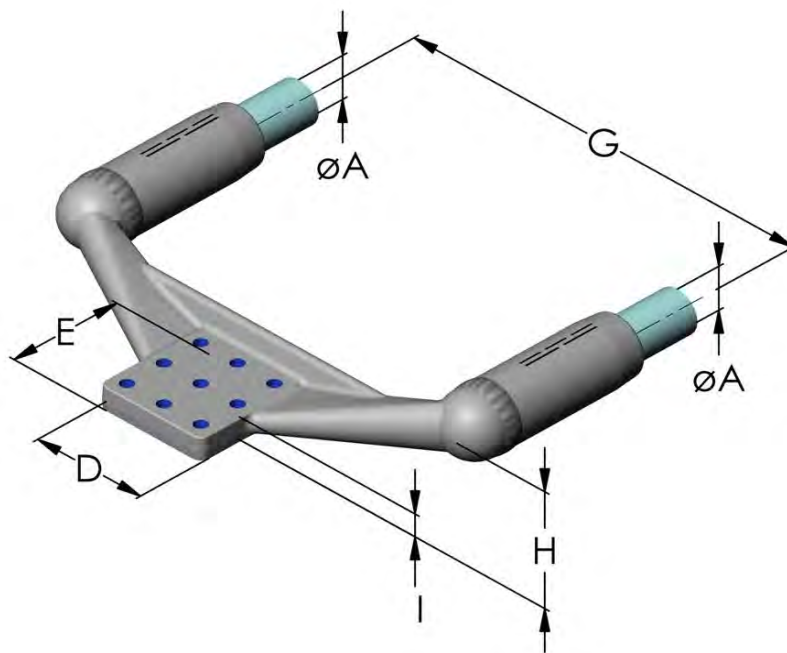
Al-Straight duplex flat terminal connector bolted



Article No.	Voltage	ØA *)	Covers A	Bundle-spacing G	Height H	D	Flat terminal	
							E	I
I2FK-241	420 kV	28,5-44,0	2	200	50	100	100	20
I2FK-340	245 kV	30,0-42,0	2	300	0	125	125	15
I2FK-430	420 kV	20,0-33,8	3	400	24	200	100	15
I2FK-442	420 kV	36,0-37,0	3	400	22	200	100	20
I2FK-450	420 kV	30,6-44,0	3	450	50	200	100	20
I2FK-534	245 kV	24,5-26,5	2	305	0	100	80	15
I2FK-535	420 kV	35,0-37,0	3	400	50	127	8	20
I2FK-537	420 kV	35,0-37,0	2	400	50	225	8	20

*) please specify exact diameter in case of order

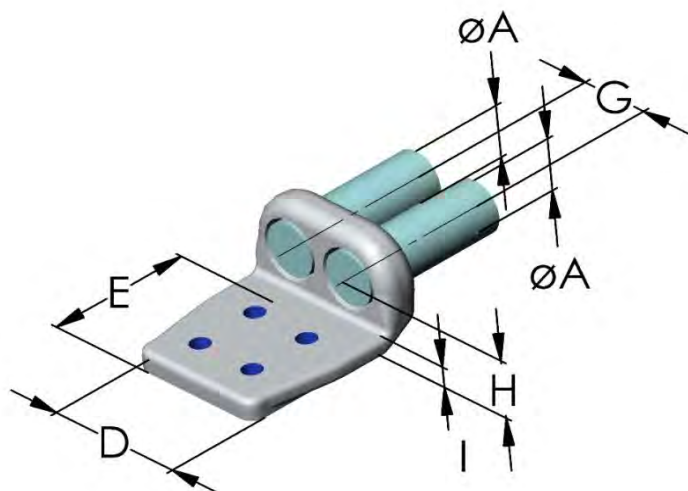
Al-Straight duplex compression flat terminal



Article No.	Voltage	ØA *)	Bundle-spacing G	E	Flat terminal D	I
I2FP-032	245 kV	32,55	200	125	160	20
I2FP-036	245 kV	36,9	300	100	100	12
I2FP-038	420 kV	38,25	200	125	125	20
I2FP-039	420 kV	38,25	200	125	125	20
I2FP-460	550 kV	46,3	457,2	125	125	25

*) please specify exact diameter in case of order

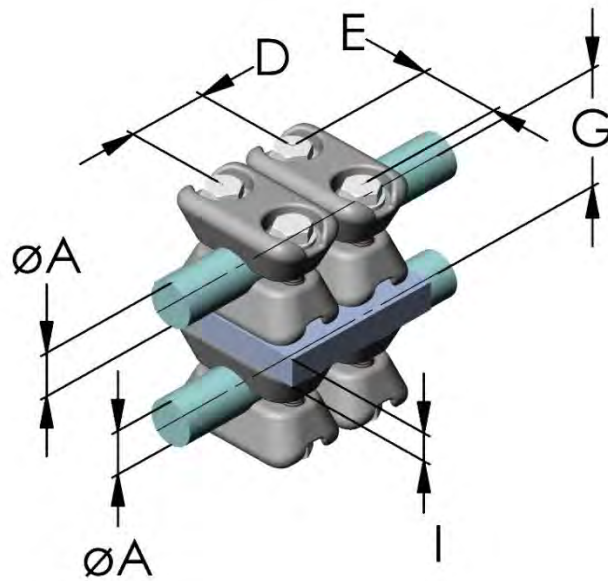
Al-Straight duplex flat terminal connector welded



Article No.	Voltage	ØA *)	Bundle-spacing G	Height H	Flat terminal		
					D	E	I
I2FW-025	420 kV	33,91	100	40	160	80	13
I2FW-027	420 kV	35,1	100	38	160	80	12
I2FW-028	420 kV	27,5-34,4	50	135	100	100	15
I2FW-031	245 kV	31,7-32,6	50	42	125	125	15
I2FW-032	245 kV	31,7-32,6	50	42	200	100	15
I2FW-033	245 kV	31,7-32,6	50	42	125	125	15
I2FW-034	245 kV	33,91-34,4	50	42	125	125	14
I2FW-039	420 kV	23,6-39,2	100	50	160	100	15
I2FW-050	245 kV	42,0	76	60	100	100	25

*) please specify exact diameter in case of order

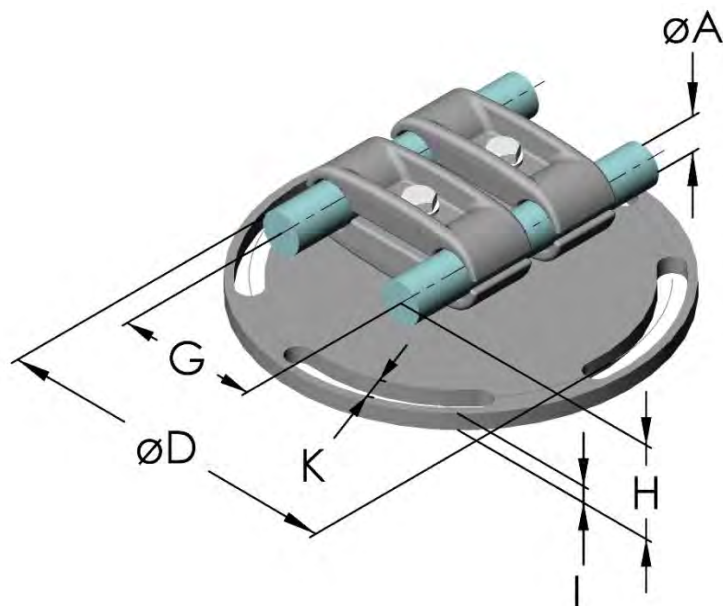
AI-Straight duplex flat terminal twisted



Article No.	Voltage	ØA *)	Covers A	Bundle-spacing G	Flat terminal		
					D	E	I
I2K-022	245 kV	22,5-24,5	1	56	50	50	10
I2K-024	245 kV	22,5-24,5	2	56	50	50	10
I2K-028	245 kV	20,0-27,5	2	~56	40	40	5-30
I2K-033	245 kV	20,0-32,6	2	~56	45	45	5-30
I2K-034	145 kV	20,0-32,6	2	~54	45	45	5-30
I2K-037	245 kV	24,5-36,9	2	~68	50	50	5-30

*) please specify exact diameter in case of order

AI-Straight duplex support with baseplate



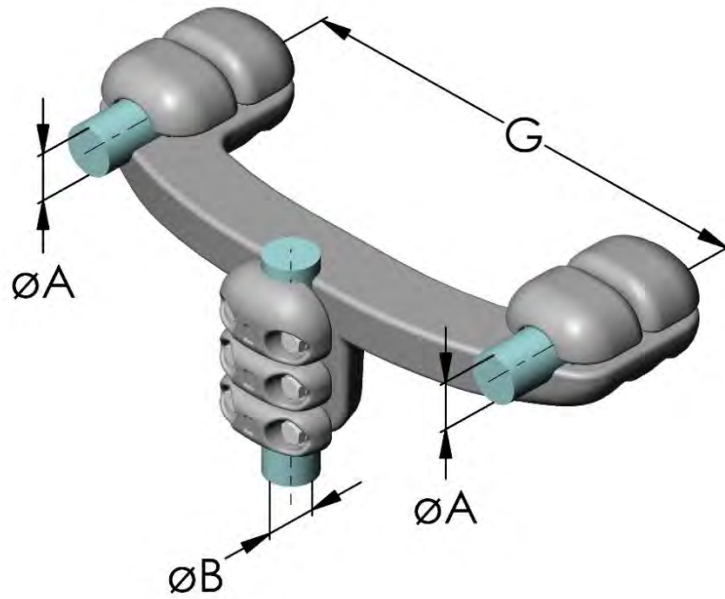
Article No.	Voltage	ØA *)	Bundle-spacing G	Height H	ØD	Diameter K	Flange-thickness I
IJ2OK-022	245 kV	30,6-32,7	50	62	127	18	12
IJ2OK-023	245 kV	24,1-26,0	52	66	127	18	12
IJ2OK-024	245 kV	24,0-26,0	52	60	76	14	10
IJ2OK-025	420 kV	20,0-33,0	100	67	225	18	12
IJ2OK-026	420 kV	20,0-33,0	200	70	225	18	12
IJ2OK-027	245 kV	35,1-36,9	100	0	225	18	12
IJ2OK-029	420 kV	28,5-30,6	100	89	127	18	10
IJ2OK-030	420 kV	20,0-33,0	200	70	127	18	12
IJ2OK-031	145 kV	31,7-32,6	100	77	127	18	10
IJ2OK-032	245 kV	31,5-32,7	50	56	76	14	10
IJ2OK-033	420 kV	20,0-33,0	100	0	127	18	12
IJ2OK-034	420 kV	20,0-33,0	100	0	140	18	10
IJ2OK-035	145 kV	31,7-32,6	100	77	120	18	10
IJ2OK-036	420 kV	36,0-38,0	100	79	225	18	10
IJ2OK-037	145 kV	35,1-36,9	100	77	127	18	10
IJ2OK-038	420 kV	20,0-33,0	100	67	127	18	12
IJ2OK-041	420 kV	38,6-40,4	100	79	225	18	10
IJ2OK-042	145 kV	30,0-40,0	200	100	127	18	10
IJ2OK-043	420 kV	38,6-40,4	100	80	127	18	10
IJ2OK-044	420 kV	20,0-33,0	100	70	120	18	15
IJ2OK-045	145 kV	35,1-36,9	100	77	120	18	10
IJ2OK-046	420 kV	20,0-33,8	100	65	76	18	12

*) please specify exact diameter in case of order

AI-Straight duplex support with baseplate

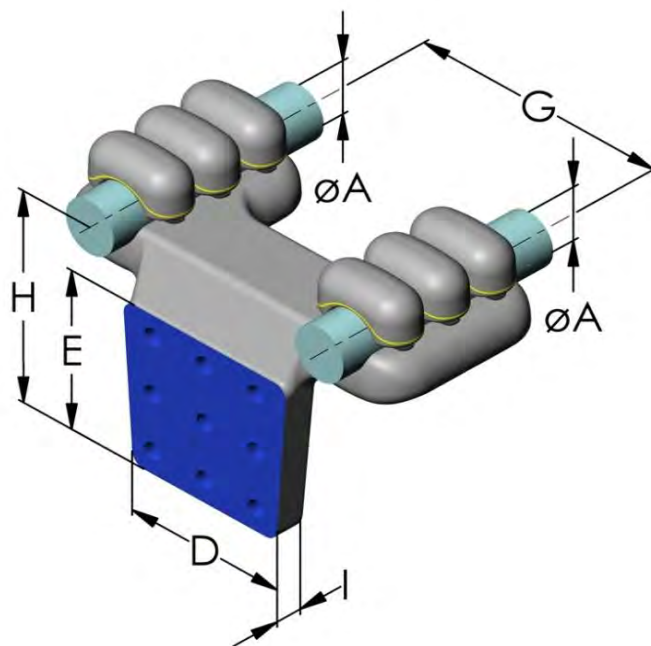
Article No.	Voltage	ØA *)	Bundle-spacing G	Height H	ØD	Diameter K	Flange-thickness I
IJ2OK-047	420 kV	32,7-41,1	100	69	225	18	12
IJ2OK-048	420 kV	24,5-36,9	100	51	225	18	12
IJ2OK-049	420 kV	20,0-33,8	100	67	76	14	12
IJ2OK-052	245 kV	20,0-33,8	100	67	66	14	12
IJ2OK-080	420 kV	20,0-33,8	80	67	127	18	12
IJ2OK-100	420 kV	32,7-41,1	100	70	127	18	12
IJ2OK-101	420 kV	20,0-33,8	100	70	127	18	12
IJ2OK-102	420 kV	32,7-41,1	100	72	120	18	15
IJ2OK-146	420 kV	46,3	150	70	76	14	10
IJ2OK-150	420 kV	24,5-36,9	150	51	225	18	12
IJ2OK-151	550 kV	32,7-43,2	200	74	225	18	12
IJ2OK-200	550 kV	20,0-33,0	200	70	127	18	12
IJ2OK-201	420 kV	32,7-43,2	200	76	127	18	15
IJ2OK-202	550 kV	32,7-41,1	200	74	225	18	12
IJ2OK-239	420 kV	37,0-38,8	200	70	127	18	12
IJ2OK-246	420 kV	46,3	200	67	127	18	10
IJ2OK-300	245 kV	35,0-37,0	300	62	127	18	12
IJ2OK-301	245 kV	35,0-37,0	300	62	225	18	12
IJ2OK-400	420 kV	36,0-38,0	400	62	225	18	12
IJ2OK-401	420 kV	30,0-35,0	400	74	127	18	12
IJ2OK-402	420 kV	46,0-55,0	400	65	225	18	12
IJ2OK-403	550 kV	46,0-55,0	400	65	254	18	12

*) please specify exact diameter in case of order



Article No.	Voltage	ØA *)	Covers A	ØB *)	Covers B	Bundle-spacing G	Remark
L21K-042	245 kV	20,0-33,0	3	30,0-42,0	3	50	
L21K-065	420 kV	30,0-44,0	2	30,0-44,0	3	400	
L21K-100	420 kV	30,0-42,0	2	30,0-42,0	2	100	with Coronaring
L21K-101	550 kV	30,0-44,0	2	30-63	2	100	with Coronaring
L21K-451	550 kV	40,0-52,0	2	40-63	2	100	with Coronaring

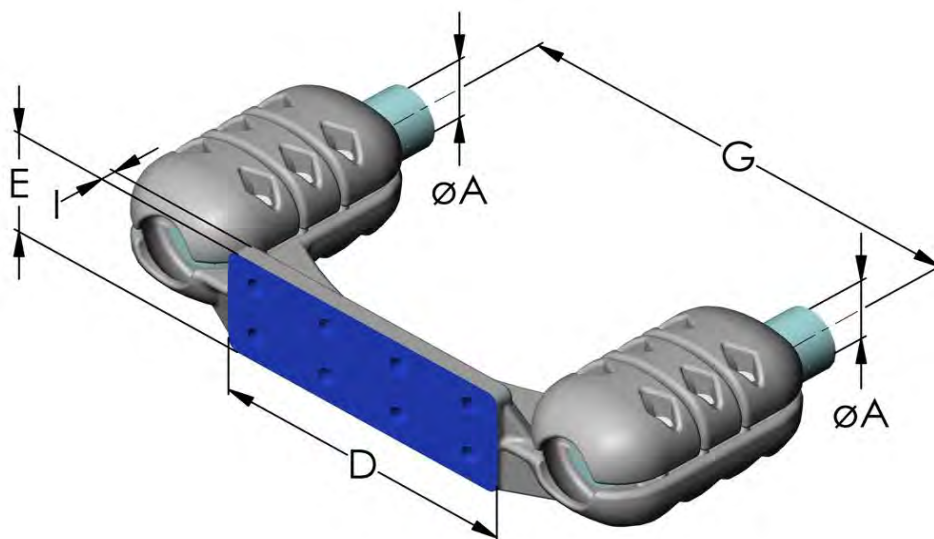
*) please specify exact diameter in case of order



Article No.	Voltage	ØA *)	Covers A	Bundle-spacing G	Height H	Flat terminal		
						D	E	I
L2FK-027	245 kV	26,0-33,0	2	100	129	100	100	15
L2FK-028	420 kV	29,0-33,0	3	50	157	100	100	15
L2FK-031	420 kV	29,0-33,0	3	50	157	200	100	15
L2FK-033	245 kV	20,0-32,0	3	100	140	100	100	20
L2FK-034	420 kV	30,0-42,0	3	200	140	100	100	30
L2FK-035	245 kV	20,0-33,0	3	100	160	125	125	20
L2FK-036	420 kV	30,0-44,0	3	200	140	100	100	30
L2FK-039	420 kV	30,0-42,0	2	400	145	125	125	20
L2FK-040	420 kV	30,0-42,0	3	400	112	200	100	20
L2FK-043	550 kV	30,0-42,0	3	200	150	200	100	20
L2FK-048	420 kV	30,0-42,0	3	150	165	125	125	25
L2FK-049	420 kV	30,0-44,0	3	100	145	100	100	25
L2FK-051	420 kV	30,0-44,0	3	200	167	125	125	25
L2FK-240	420 kV	30,0-44,0	3	200	140	100	100	30
L2FK-245	420 kV	46,3	3	200	175	125	125	25
L2FK-340	420 kV	28,5-44,0	3	300	177	125	125	30
L2FK-345	420 kV	45,7-46,3	3	300	175	125	125	35
L2FK-530	420 kV	18,3-33,8	2	200	132	100	100	20
L2FK-540	420 kV	28,5-44,0	3	150	150	200	100	20

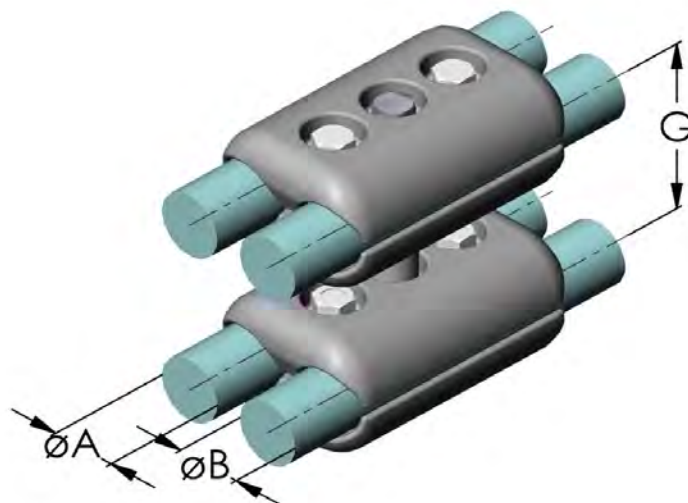
*) please specify exact diameter in case of order

AI-90° duplex central flat terminal connector



Article No.	Voltage	ØA *)	Covers A	Bundle-spacing G	Flat terminal		
					D	E	I
L2FK-029	245 kV	20,3-33,8	2	106	200	100	15
L2FK-032	245 kV	32,2	3	100	100	100	12
L2FK-046	420 kV	30,0-42,0	3	100	125	125	25
L2FK-050	420 kV	28,5-33,0	2	100	125	125	16
L2FK-555	550 kV	46,0-55,0	2	400	200	100	15

*) please specify exact diameter in case of order

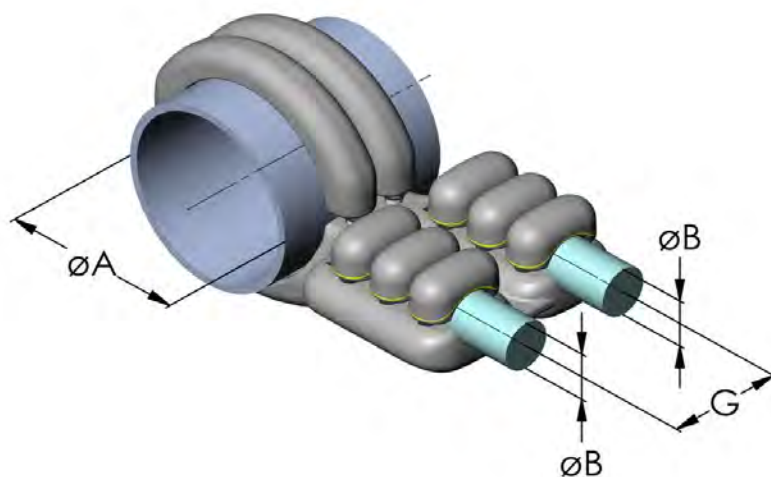


Article No.	Voltage	ØA *)	ØB *)	Bundle-spacing G
P22K-033	245 kV	30,0-31,9	30,0-31,9	100
P22K-365	420 kV	36,0-37,0	36,0-37,0	200

*) please specify exact diameter in case of order

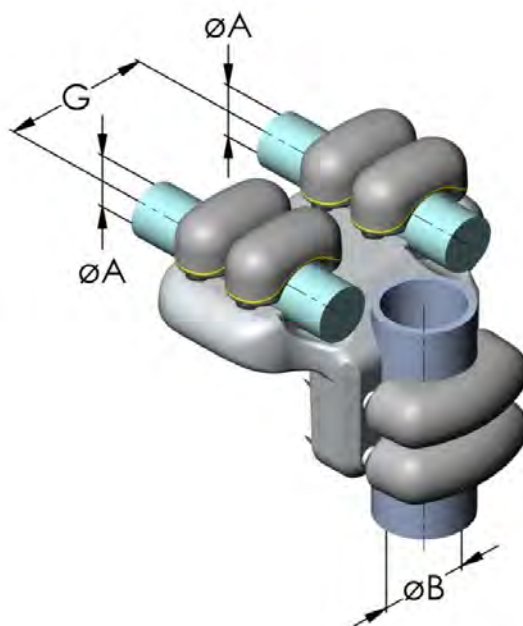
Al-T-Duplex/single connector

Duplex plane in busbar axis



Article No.	Voltage	ØA *)	Covers A	ØB *)	Covers B	Bundle-spacing G
T21K-063	245 kV	60-63	2	20,0-32,0	3	45
T21K-082	245 kV	80	2	20,3-33,8	3	100
T21K-083	245 kV	80	2	20,0-32,0	2	100
T21K-099	245 kV	100	2	20,0-32,0	2	100
T21K-123	245 kV	120	2	20,0-32,0	3	100
T21K-128	420 kV	120	2	28,5-44,0	4	100
T21K-160	420 kV	160	2	30,0-42,0	3	100
T21K-163	420 kV	160	2	30,0-42,0	3	150
T21K-165	420 kV	160	2	30,0-42,0	3	200
T21K-166	420 kV	160	2	30,0-42,0	3	400
T21K-167	420 kV	160	1	24,5-33,0	2	100
T21K-170	420 kV	160	2	28,5-44,0	4	100
T21K-171	420 kV	160	2	28,5-44,0	3	100
T21K-200	420 kV	200	2	30,0-42,0	3	200
T21K-204	245 kV	200	2	22,0-32,0	3	100
T21K-205	420 kV	200	2	30,0-42,0	3	100
T21K-220	420 kV	220	2	29,0-33,0	3	50
T21K-250	420 kV	250	2	30,0-42,0	3	100
T21K-251	550 kV	250	2	40,0-52,0	3	400
T21K-252	420 kV	250	2	30,0-42,0	3	200
T21K-258	550 kV	250	2	30,0-42,0	3	400
T21K-260	420 kV	250	2	28,5-44,0	4	100
T21K-300	420 kV	300	2	28,5-44,0	3	200
T21K-523	245 kV	120	2	30,6-32,6	2	100

*) please specify exact diameter in case of order



Article No.	Voltage	ØA *)	Covers A	ØB *)	Covers B	Bundle-spacing G
T21K-020	245 kV	20,3-33,8	2	30,0-44,0	3	457
T21K-021	420 kV	30,6-32,6	1	30,0-32,0	1	200
T21K-022	420 kV	32,0-33,0	3	22,0-33,0	3	60
T21K-024	420 kV	32,0-33,0	2	30,0-42,0	2	100
T21K-025	420 kV	26,0-33,0	3	30,0-42,0	3	50
T21K-026	420 kV	20,0-32,0	3	30,0-40,0	4	400
T21K-029	245 kV	20,0-32,0	2	20,0-32,0	2	200
T21K-030	245 kV	30,0-42,0	1	30,0-42,0	1	100
T21K-032	245 kV	20,0-32,0	2	20,0-32,0	2	100
T21K-033	245 kV	20,0-32,0	3	20,0-32,0	3	100
T21K-034	245 kV	22,0-32,0	2	30,0-42,0	3	100
T21K-035	245 kV	20,0-32,0	2	30,0-40,0	2	70
T21K-036	245 kV	20,0-32,0	2	50-63	2	70
T21K-037	245 kV	30,0-32,0	2	50-52	2	100
T21K-039	245 kV	20,0-32,0	2	40-52	2	400
T21K-042	420 kV	30,0-42,0	2	22,0-33,0	2	100
T21K-044	420 kV	30,0-40,0	3	30,0-40,0	3	90
T21K-046	420 kV	30,0-42,0	2	30,0-42,0	2	100
T21K-047	245 kV	28,5-44,0	2	30,0-44,0	3	200
T21K-049	245 kV	30,0-42,0	2	30,0-42,0	2	300
T21K-050	245 kV	30,0-42,0	3	30,0-42,0	3	100

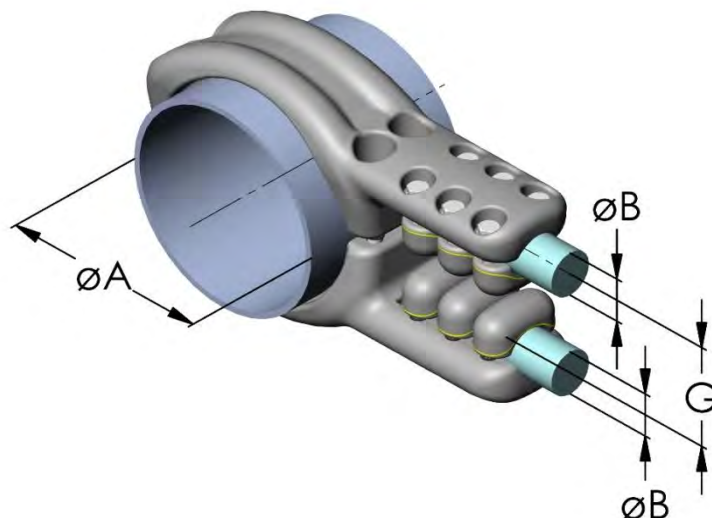
*) please specify exact diameter in case of order

Article No.	Voltage	ØA *)	Covers A	ØB *)	Covers B	Bundle-spacing G
T21K-055	420 kV	30,0-44,0	2	40-52	3	400
T21K-056	420 kV	30,0-44,0	4	30,0-44,0	3	100
T21K-059	420 kV	29,0-33,0	2	42,0-42,0	2	100
T21K-062	245 kV	30,0-42,0	3	30-52	3	200
T21K-068	420 kV	30,6-33,8	3	39,3,0-44,0	3	60
T21K-069	420 kV	35,0-44,0	2	40-63	2	100
T21K-249	245 kV	30,0-42,0	3	30,0-42,0	3	200
T21K-331	245 kV	22,0-33,0	2	20,0-33,0	3	100
T21K-332	245 kV	20,0-33,0	2	20,0-33,0	3	300
T21K-339	420 kV	30,0-43,2	4	30,0-44,0	4	100
T21K-531	420 kV	20,3-33,8	2	45,5-46,5	3	400
T21K-534	245 kV	24,5-26,5	1	22,0-33,0	2	200
T21K-544	550 kV	30,0-32,6	2	30,0-42,0	3	450
T21K-546	420 kV	45,5-46,5	2	45,5-46,5	3	200
T21K-555	550 kV	46,0-55,0	2	120	3	400
T21K-563	245 kV	30,6-32,6	2	60-63	2	100

*) please specify exact diameter in case of order

Al-T-Duplex/single connector

Duplex plane 90° to busbar axis



Article No.	Voltage	ØA *)	Screwpairs A	ØB *)	Covers B	Bundle-spacing G
T21K-060	420 kV	30,6-44,0	2	40,0-63,0	4	100
T21K-064	420 kV	30,0-42,0	2	30,0-63,0	3	100
T21K-065	420 kV	30,0-44,0	2	30,0-44,0	3	400
T21K-081	420 kV	80	2	30,0-44,0	3	100
T21K-101	420 kV	100	2	30,0-42,0	4	150
T21K-102	420 kV	100	2	30,0-44,0	3	200
T21K-103	420 kV	100	2	30,0-44,0	3	100
T21K-106	420 kV	100	2	30,0-42,0	4	100
T21K-121	420 kV	114-120	2	30,0-42,0	3	100
T21K-125	420 kV	120-125	2	30,0-42,0	3	200
T21K-126	66 kV	114-120	2	28,5-44,0	3	100
T21K-129	420 kV	120-125	2	28,5-44,0	4	100
T21K-150	420 kV	150-160	2	30,0-44,0	3	100
T21K-156	420 kV	150-160	2	30,0-42,0	4	150
T21K-161	420 kV	160	2	30,0-44,0	3	115
T21K-164	420 kV	160	2	30,0-42,0	3	150
T21K-201	420 kV	200	1	20,3-33,0	2	60
T21K-203	420 kV	200	2	20,0-33,0	3	100
T21K-206	420 kV	200	2	30,0-44,0	3	100
T21K-208	420 kV	200	2	30,0-42,0	3	174
T21K-240	245 kV	30,0-44,0	2	30,0-63,0	3	200

*) please specify exact diameter in case of order

Al-T-Duplex/single connector

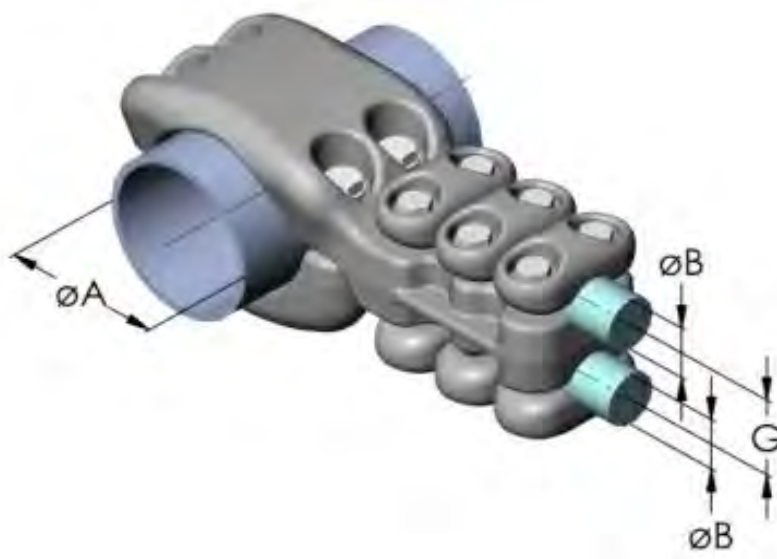
Duplex plane 90° to busbar axis

Article No.	Voltage	ØA *)	Screwpairs A	ØB *)	Covers B	Bundle- spacing G
T21K-246	420 kV	46,3	2	40,0-52,0	3	200
T21K-255	420 kV	250	1	20,3-33,8	2	200
T21K-256	420 kV	250	1	28,5-33,0	2	100
T21K-257	420 kV	250	2	28,5-33,0	2	100
T21K-259	420 kV	250	2	28,5-44,0	3	200
T21K-261	420 kV	250	2	28,5-44,0	2	100

*) please specify exact diameter in case of order

Al-T-Duplex/single connector

Duplex plane 90° to busbar axis

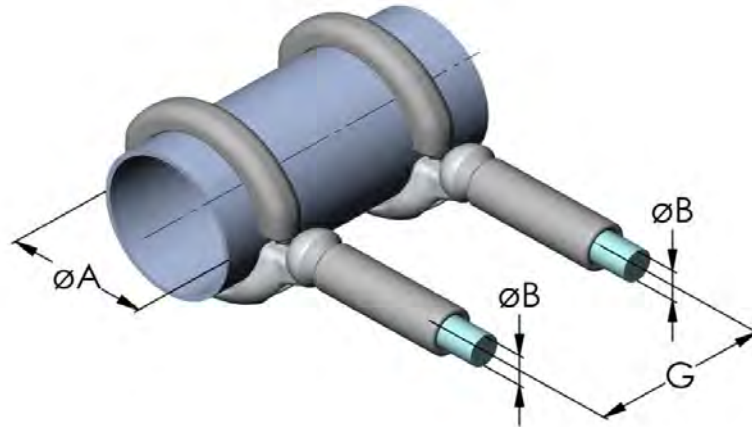


Article No.	Voltage	ØA *)	Covers A	ØB *)	Covers B	Bundle-spacing G
T21K-100	245 kV	100	2	30,0-42,0	4	100
T21K-105	420 kV	100	2	22,0-32,0	3	50
T21K-108	245 kV	100	4	22,0-32,0	3	200
T21K-162	420 kV	160	2	22,0-32,0	3	60

*) please specify exact diameter in case of order

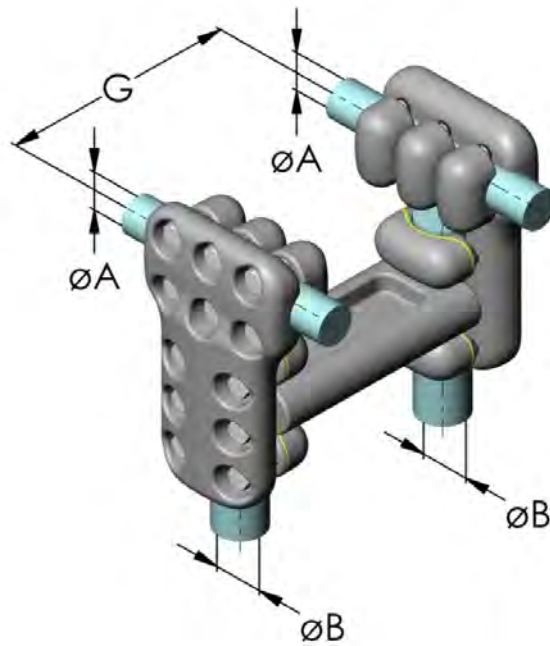
Al-T-Bundle connector

Duplex plane in busbar axis



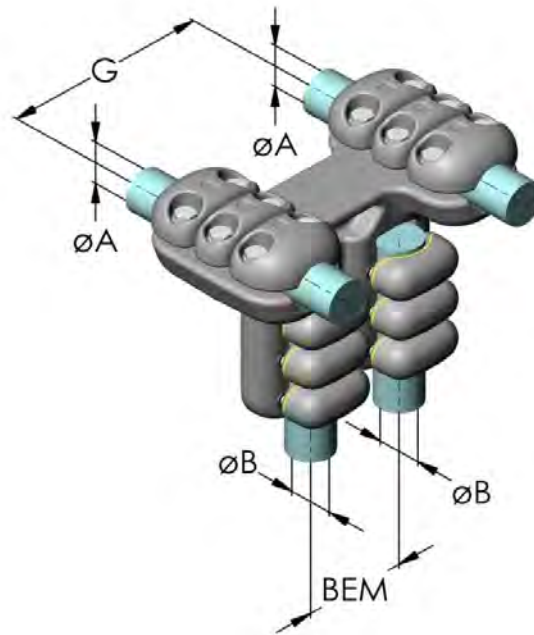
Article No.	Voltage	ØA *)	Covers A	ØB *)	Bundle-spacing G
T21R-141	245 kV	140	1	31,7-32,6	200
T21R-160	420 kV	160	2	31,7	200
T21R-161	420 kV	160	2	38,5	200
T21R-250	420 kV	250	2	30,22	100

*) please specify exact diameter in case of order



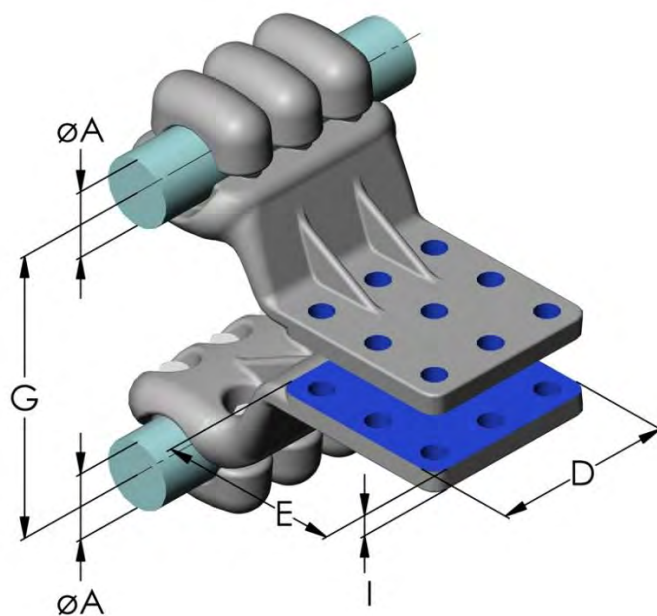
Article No.	Voltage	ØA *)	Covers A	ØB *)	Covers B	Bundle-spacing G
T22K-031	245 kV	20,0-32,0	2	20,0-32,0	2	200
T22K-032	245 kV	20,0-32,0	2	20,0-32,0	2	100
T22K-037	420 kV	20,0-32,0	2	20,0-32,0	2	100
T22K-038	245 kV	20,0-32,0	3	20,0-32,0	3	100
T22K-042	245 kV	30,0-42,0	3	30,0-42,0	3	200
T22K-044	420 kV	30,0-42,0	3	30,0-42,0	3	200
T22K-047	245 kV	30,0-42,0	3	30,0-42,0	3	100
T22K-048	420 kV	20,3-33,8	3	20,3-33,8	3	100
T22K-440	420 kV	27,5-44,0	3	27,5-44,0	3	100
T22K-442	420 kV	35,0-42,0	3	35,0-42,0	3	400

*) please specify exact diameter in case of order



Article No.	Voltage	ØA *)	Covers A	ØB *)	Covers B	Bundle-spacing G	Bundle-spacing BEM
T22K-036	245 kV	22,0-32,0	3	22,2-32,2	3	200	85
T22K-441	420 kV	28,5-44,0	3	28,5-44,0	3	200	100
T22K-449	245 kV	35,0-44,0	3	35,0-44,0	3	400	200

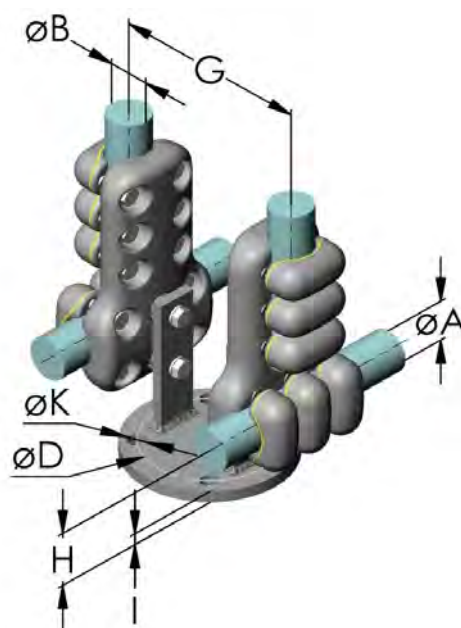
*) please specify exact diameter in case of order



Article No.	Voltage	ØA *)	Covers A	Bundle-spacing G	Flat terminal		
					D	E	I
T2FK-025	420 kV	29,0-33,0	3	50	200	100	15
T2FK-026	420 kV	29,0-33,0	3	50	100	100	15
T2FK-031	245 kV	20,0-33,0	3	100	100	100	32
T2FK-033	245 kV	22,0-33,0	3	120	80	80	14
T2FK-034	420 kV	30,0-42,0	3	160	100	100	15
T2FK-035	420 kV	22,0-33,0	3	84	125	125	14
T2FK-042	245 kV	30,0-42,0	3	100	150	100	12
T2FK-043	420 kV	30,0-44,0	3	100	200	100	15
T2FK-045	420 kV	26,0-42,0	3	200	125	125	12
T2FK-050	245 kV	40,0-52,0	3	200	100	100	15
T2FK-051	420 kV	45,5-46,5	3	200	125	125	15
T2FK-403	550 kV	45,5-46,5	3	400	125	125	40

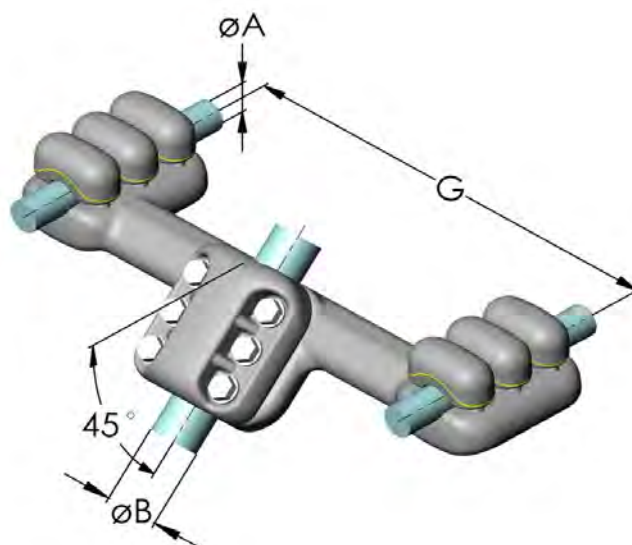
*) please specify exact diameter in case of order

Al-T-Duplex/duplex busbar support



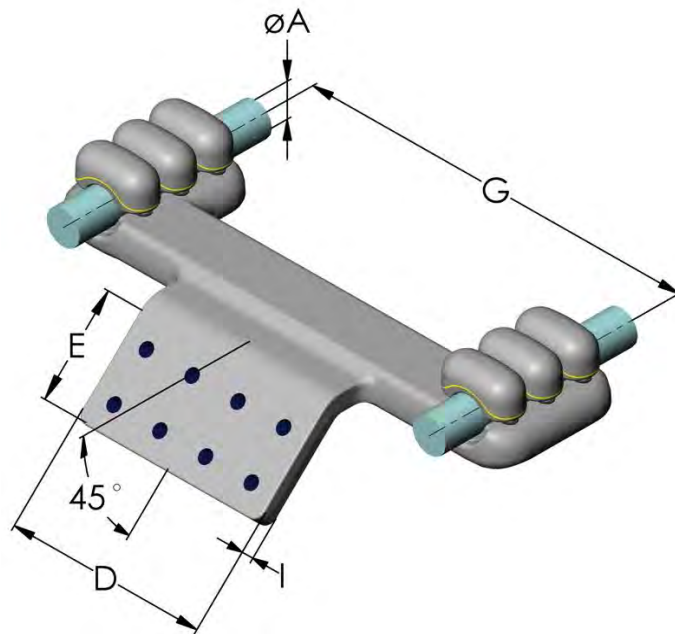
Article No.	Voltage	ØA *)	Covers A	ØB *)	Covers B	Bundle-spacing G	Height H	ØD	Diameter K	Flange-thickness I
TJ22OK-033	245 kV	20,0-32,0	2	20,0-32,0	2	100	90	127	18	10
TJ22OK-042	420 kV	39,0-42,0	3	35,0-42,0	3	200	100	127	18	12
TJ22OK-043	245 kV	30,0-44,0	3	30,0-44,0	3	200	90	127	18	12
TJ22OK-044	420 kV	30,0-44,0	3	30,0-44,0	3	200	90	127	18	12
TJ22OK-045	245 kV	20,0-33,0	2	30,0-42,0	2	100	90	127	18	10
TJ22OK-046	420 kV	30,0-44,0	4	30,0-44,0	4	200	100	127	18	12
TJ22OK-047	420 kV	39,3-44,0	3	39,2-39,3	3	150	100	225	18	12
TJ22OK-055	550 kV	46,0-55,0	3	46,0-55,0	3	400	70	225	18	12

*) please specify exact diameter in case of order



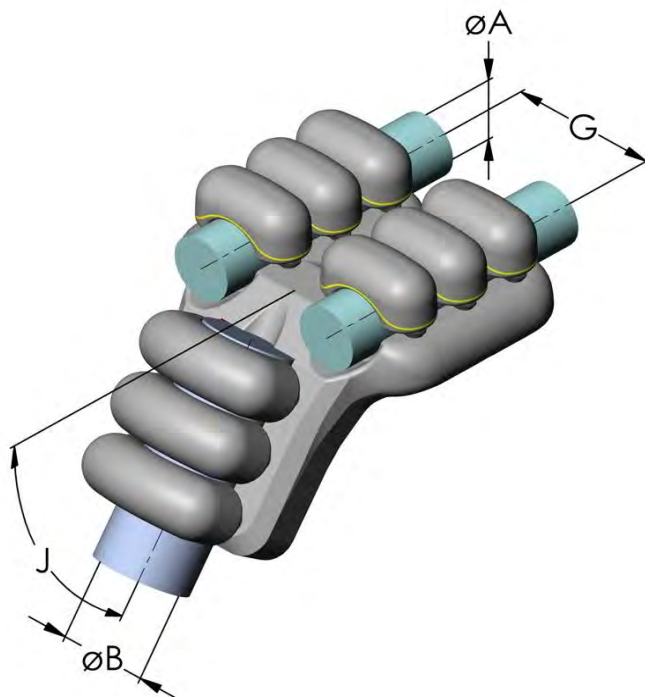
Article No.	Voltage	ØA *)	Covers A	ØB *)	Screwpairs B	Bundle-spacing G
V21K-025	245 kV	29,0-33,0	3	30,0-42,0	3	50
V21K-026	245 kV	29,0-33,0	3	30,0-42,0	3	50
V21K-032	245 kV	22,0-33,0	3	30,0-42,0	3	100
V21K-033	245 kV	22,0-33,0	2	22,0-33,0	2	100
V21K-044	420 kV	30,0-42,0	3	40-62	3	100

*) please specify exact diameter in case of order



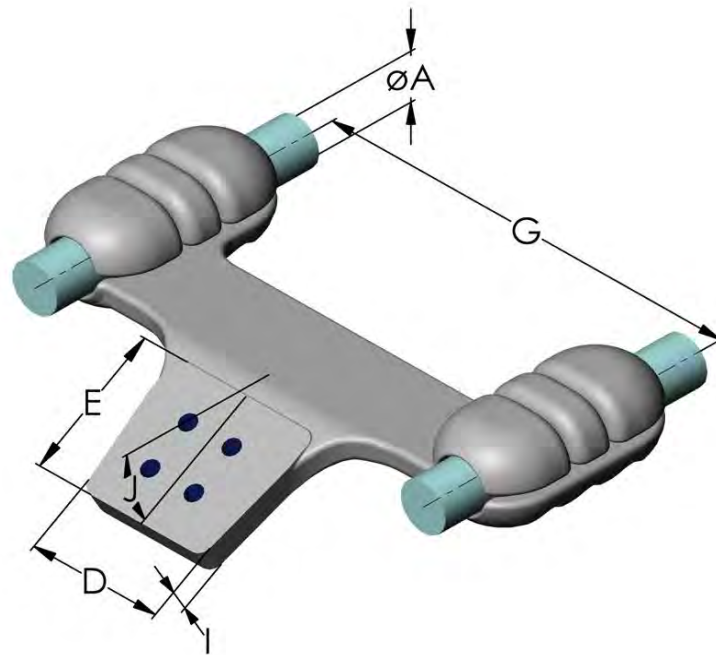
Article No.	Voltage	ØA *)	Covers A	Bundle-spacing G	Flat terminal		
					D	E	I
V2FK-028	420 kV	20,0-32,0	3	50	100	100	20
V2FK-030	420 kV	22,0-33,0	2	100	100	100	20
V2FK-031	245 kV	20,0-32,0	3	45	100	100	20
V2FK-032	245 kV	20,0-32,0	3	100	100	100	20
V2FK-033	245 kV	22,0-32,0	3	100	125	125	20
V2FK-034	420 kV	22,0-32,0	3	100	200	100	20
V2FK-040	420 kV	30,0-44,0	3	100	100	100	25
V2FK-043	420 kV	30,0-42,0	3	200	200	100	20
V2FK-044	420 kV	30,0-44,0	3	100	125	125	25
V2FK-045	420 kV	30,0-44,0	3	100	200	100	20
V2FK-442	420 kV	35,0-42,0	3	400	200	100	20
V2FK-555	550 kV	46,0-55,0	2	400	200	100	15

*) please specify exact diameter in case of order



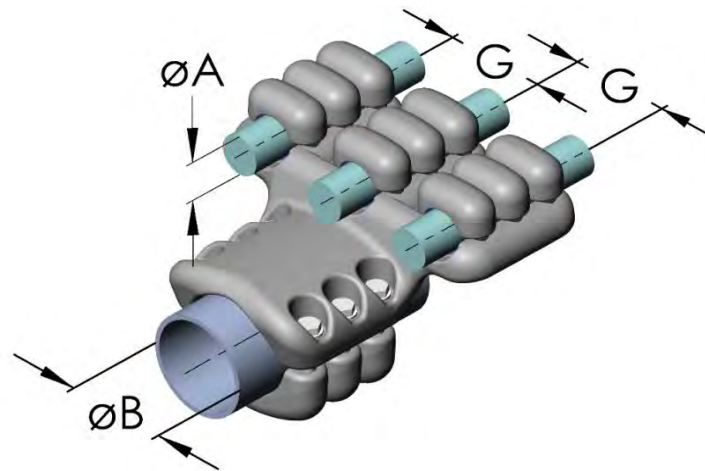
Article No.	Voltage	ØA *)	Covers A	ØB *)	Covers B	Bundle-spacing G	Angle J
W21K-041	420 kV	28,0-44,0	3	30-62	3	100	55°
W21K-200	420 kV	30,0-44,0	3	30-63	3	200	30°
W21K-201	420 kV	30,0-44,0	3	70-73	3	200	60°
W21K-202	420 kV	30,0-44,0	3	70-73	3	200	30°
W21K-246	420 kV	46,0	3	42-46	3	200	30°
W21K-247	420 kV	46,0	3	70	3	200	60°
W21K-555	550 kV	46,0-55,0	2	50-63	3	400	30°

*) please specify exact diameter in case of order



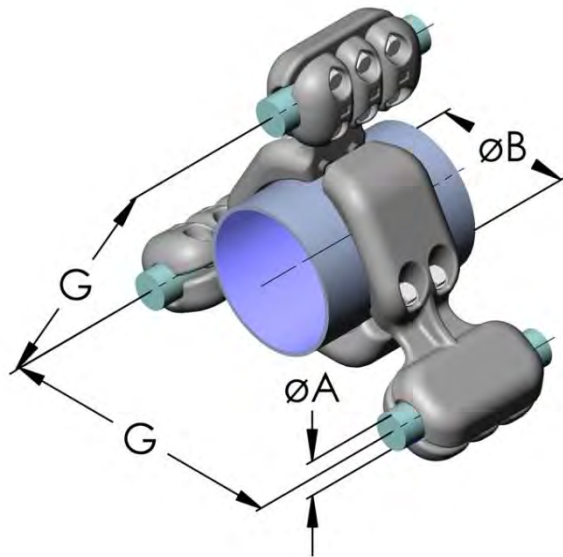
Article No.	Voltage	ØA *)	Covers A	Bundle-spacing G	Flat terminal			Angle J
					D	E	I	
W2FK-055	550 kV	45,5-46,5	3	400	125	125	25	30°
W2FK-243	420 kV	45,5-46,5	3	200	125	125	30	30°
W2FK-244	420 kV	30,0-44,0	3	200	125	125	30	30°
W2FK-245	420 kV	46,3	3	200	300	100	15	30°
W2FK-246	420 kV	46,3	3	200	80	80	30	30°
W2FK-247	420 kV	45,5-46,5	3	200	125	125	30	60°
W2FK-250	420 kV	30,0-44,0	3	200	125	125	30	60°

*) please specify exact diameter in case of order



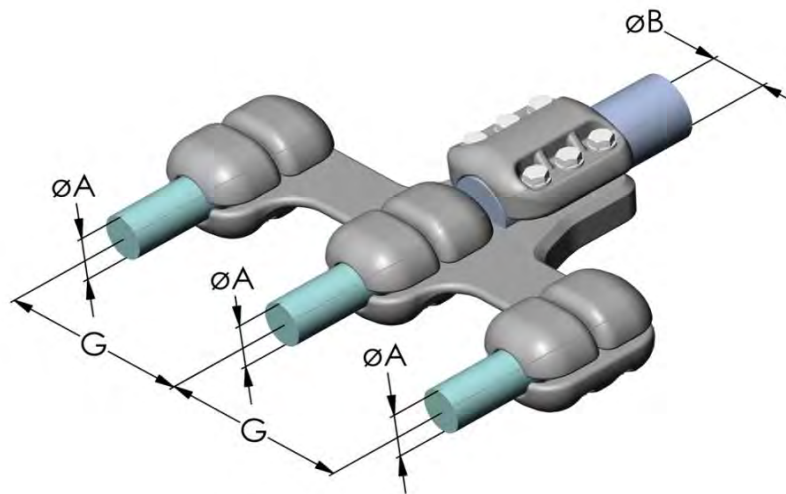
Article No.	Voltage	ØA *)	Covers A	ØB *)	Covers B	Bundle-spacing G
H31K-100	420 kV	30,0-44,0	3	100	2	100
H31K-141	550 kV	36,9-44,0	2	141	2	200
H31K-523	420 kV	30,6-32,6	2	120	2	100
H31K-524	420 kV	38,6-40,4	3	120	2	100

*) please specify exact diameter in case of order



Article No.	Voltage	ØA *)	Covers A	ØB *)	Screwpairs B	Bundle-spacing G
I31K-141	550 kV	22,0-33,0	2	140-141,3	2	457
I31K-330	550 kV	30,0-42,0	3	160-168,2	2	330

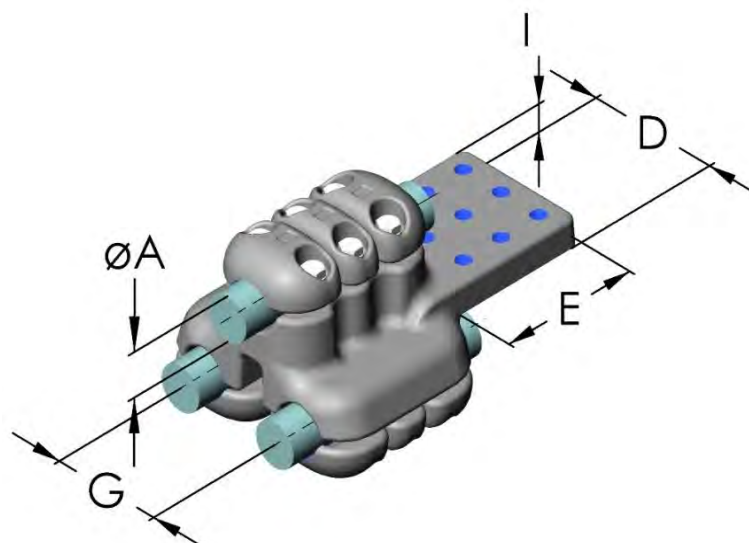
*) please specify exact diameter in case of order



Article No.	Voltage	ØA *)	Covers A	ØB *)	Screwpairs B	Bundle-spacing G
I31K-060	550 kV	28,5-44,8	2	30-63	3	200
I31K-532	550 kV	20,3-33,6	2	50-62	3	200
I31K-564	245 kV	30,0-44,0	3	40-62	3	100
I31K-565	420 kV	30,0-44,0	3	40-63	3	100

*) please specify exact diameter in case of order

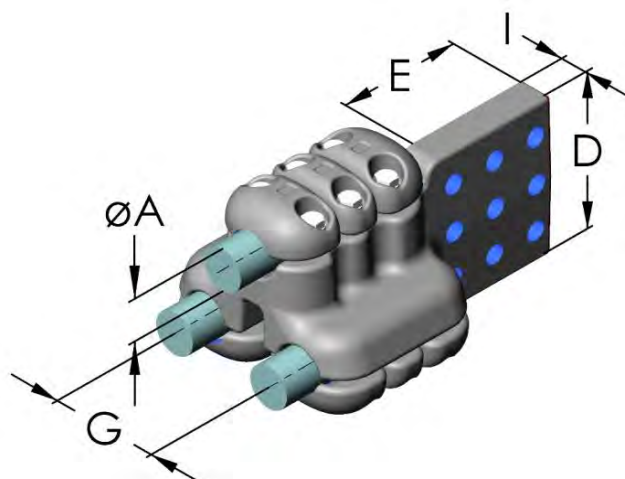
AI-Straight triplex flat terminal connector



Article No.	Voltage	$\varnothing A$ *)	Covers A	Bundle-spacing G	D	Flat terminal E	I
I3FK-032	550 kV	22,0-33,0	2	300	200	100	25
I3FK-033	550 kV	22,0-33,0	2	457	150	105	25
I3FK-042	550 kV	30,0-42,0	2	200	200	100	20
I3FK-043	550 kV	30,0-42,0	3	200	200	100	25
I3FK-044	550 kV	30,0-44,0	2	100	125	100	25
I3FK-330	550 kV	30,0-42,0	3	330	200	125	20

*) please specify exact diameter in case of order

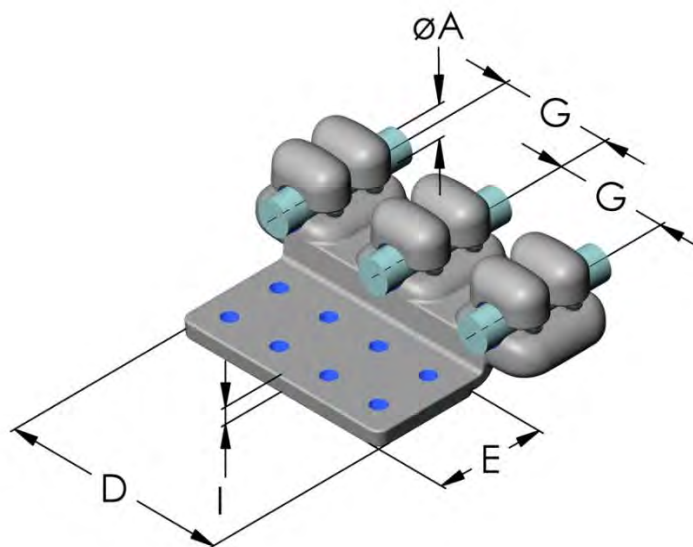
Al-Straight triplex flat terminal connector twisted



Article No.	Voltage	ØA *)	Covers A	Bundle-spacing G	D	Flat terminal	
						E	I
I3FK-034	550 kV	22,0-33,0	2	457	150	152	25
I3FK-040	550 kV	30,0-42,0	3	200	120	127	30
I3FK-041	550 kV	30,0-42,0	3	200	150	127	30

*) please specify exact diameter in case of order

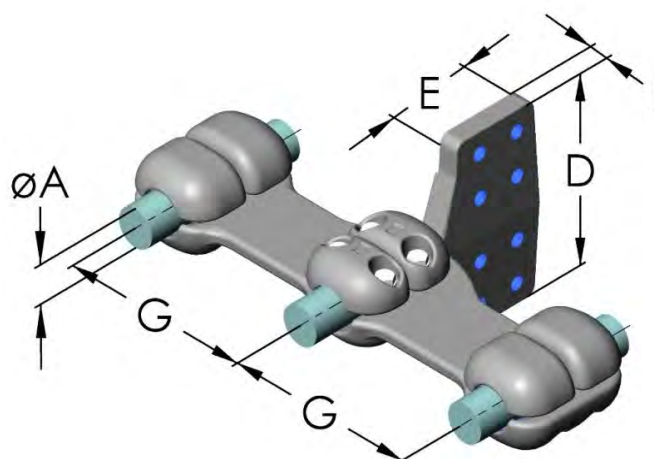
Al-Straight triplex flat terminal connector



Article No.	Voltage	ØA *)	Covers A	Bundle-spacing G	D	Flat terminal E	I
I3FK-031	420 kV	20,3-33,8	2	100	100	100	25
I3FK-046	420 kV	30,0-44,0	3	100	200	100	20
I3FK-532	550 kV	20,3-33,6	2	200	125	125	25
I3FK-533	420 kV	30,6-32,6	2	100	100	100	25
I3FK-536	420 kV	28,5-33,8	2	100	200	100	15
I3FK-542	420 kV	30,0-44,0	3	100	125	125	25

*) please specify exact diameter in case of order

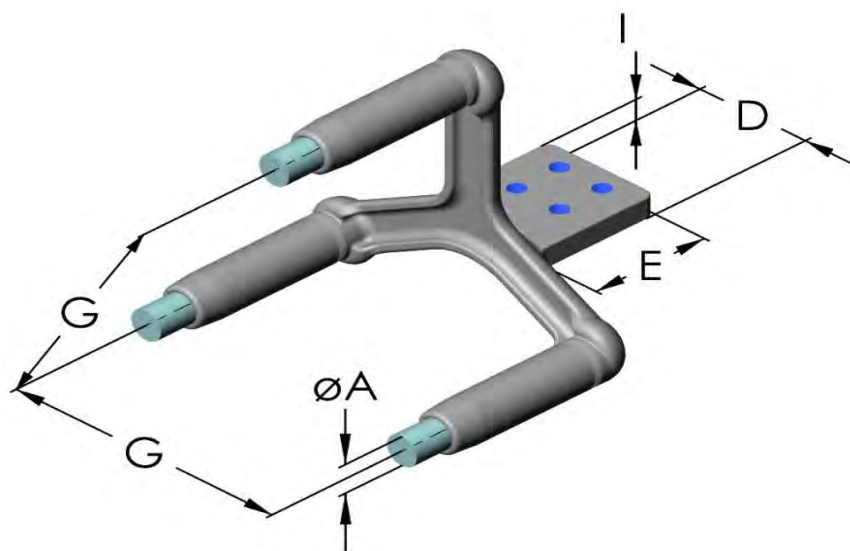
Al-Straight triplex flat terminal connector twisted



Article No.	Voltage	ØA *)	Covers A	Bundle-spacing G	D	Flat terminal E	I
I3FK-047	550 kV	36,9-44,0	2	200	125	125	20
I3FK-048	550 kV	28,5-44,0	2	200	200	100	20
I3FK-534	420 kV	30,6-32,6	2	100	100	100	25

*) please specify exact diameter in case of order

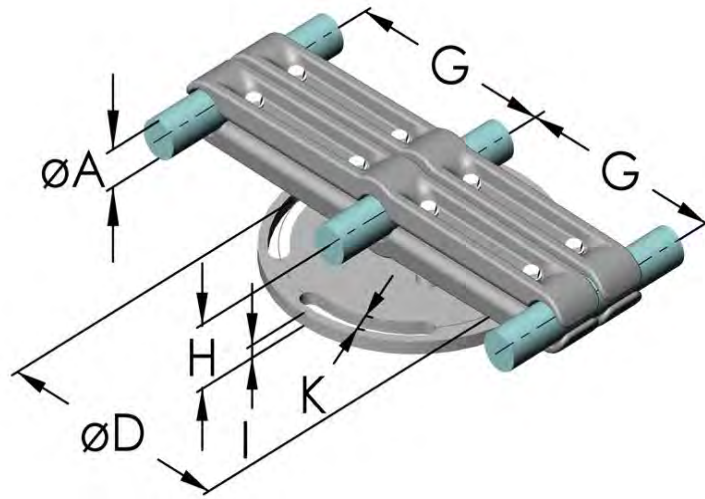
Al-Straight triplex compression flat terminal



Article No.	Voltage	ØA *)	Bundle-spacing G	D	Flat terminal	
					E	I
I3FP-033	550 kV	31,96	300	125	125	25
I3FP-040	550 kV	40,7	300	125	125	25

*) please specify exact diameter in case of order

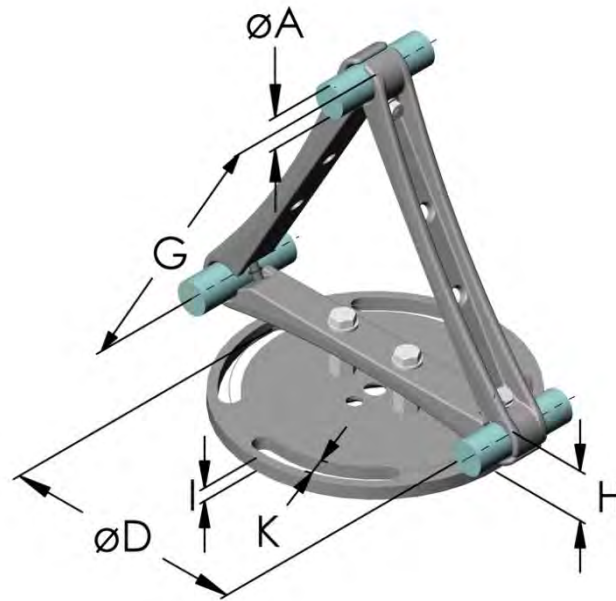
Al-Straight triplex support with baseplate



Article No.	Voltage	ØA *)	Bundle-spacing G	Height H	ØD	Flange-thickness I	Diameter K
IJ3OK-200	550 kV	36,9-39,0	200	61	225	12	18

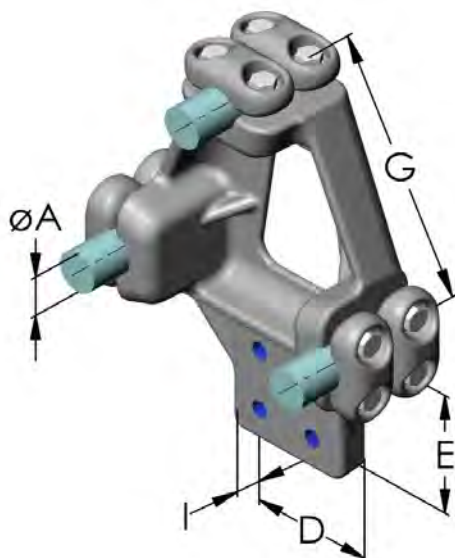
*) please specify exact diameter in case of order

AI-Straight triplex support with baseplate



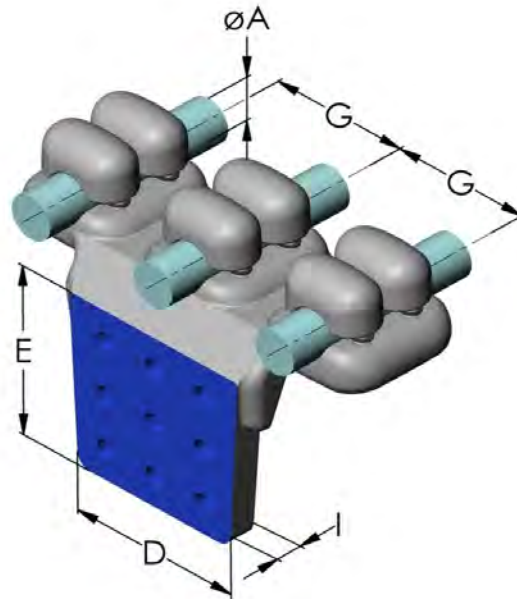
Article No.	Voltage	ØA *)	Bundle-spacing G	Height H	ØD	Flange-thickness I	Diameter K
IJ3OK-029	245 kV	20,0-33,8	100	67	66	12	14
IJ3OK-030	550 kV	30,6-32,6	300	46,5	127	12	18
IJ3OK-031	550 kV	30,6-32,6	300	46,5	225	12	18
IJ3OK-330	550 kV	36,8-38,7	330	47	127	12	18

*) please specify exact diameter in case of order



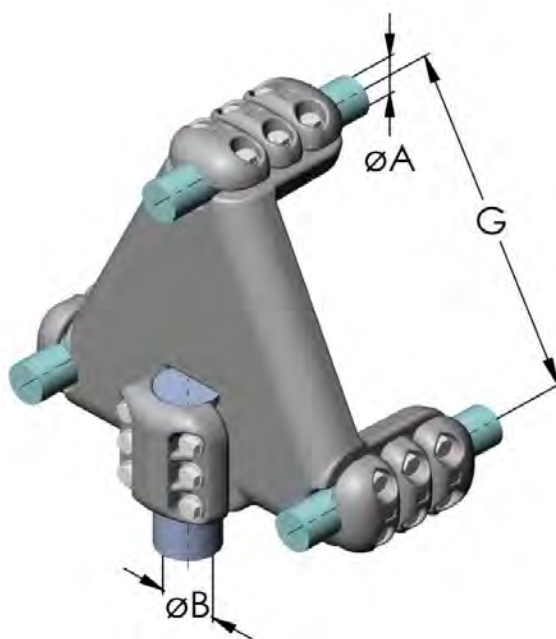
Article No.	Voltage	ØA *)	Covers A	Bundle-spacing G	Flat terminal		
					D	E	I
L3FK-042	550 kV	30,0-42,0	3	200	200	100	35
L3FK-330	550 kV	30,0-42,0	3	330	200	125	20
L3FK-331	550 kV	30,0-42,0	3	330	300	125	25

*) please specify exact diameter in case of order



Article No.	Voltage	ØA *)	Covers A	Bundle-spacing G	Flat terminal		
					D	E	I
L3FK-030	420 kV	20,3-33,8	2	100	125	125	20
L3FK-041	420 kV	30,0-44,0	3	100	200	100	20
L3FK-047	550 kV	36,9-44,0	3	200	300	100	20
L3FK-533	420 kV	30,6-32,6	2	100	125	125	15

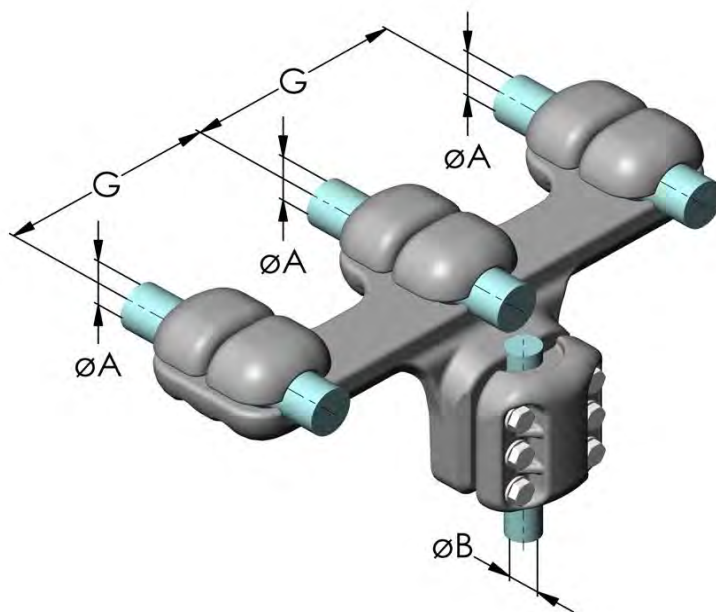
*) please specify exact diameter in case of order



Types with coronaring to be used for conductors end at HV

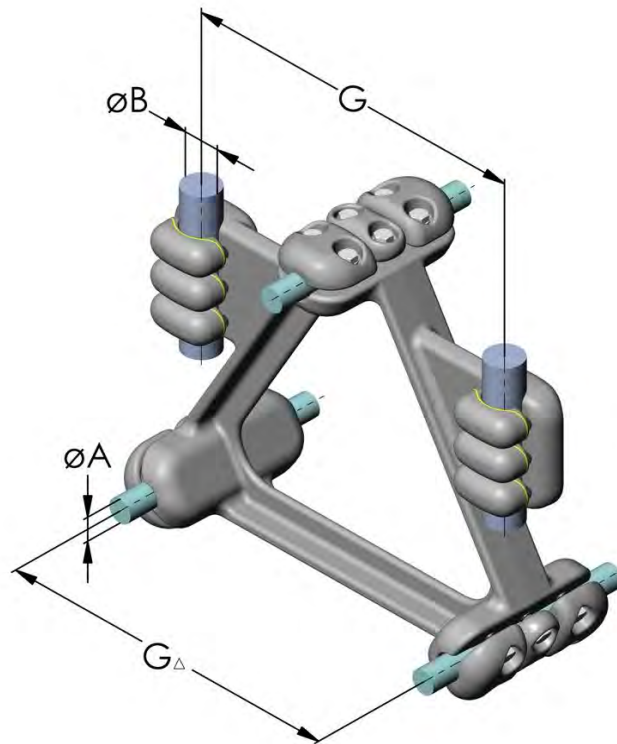
Article No.	Voltage	ØA *)	Covers A	ØB *)	Screwpairs B	Bundle-spacing G	Remark
T31K-032	550 kV	22,0-32,0	2	50-62	3	457	-
T31K-033	550 kV	22,0-32,0	2	50-62	3	457	with Coronaring
T31K-044	550 kV	30,0-42,0	2	30-42	2	200	-
T31K-330	550 kV	30,0-42,0	3	30-62	3	330	-
T31K-331	550 kV	30,0-42,0	3	30-62	3	330	with Coronaring
T31K-536	550 kV	30,0-42,0	1	60-62	2	100	with Coronaring

*) please specify exact diameter in case of order



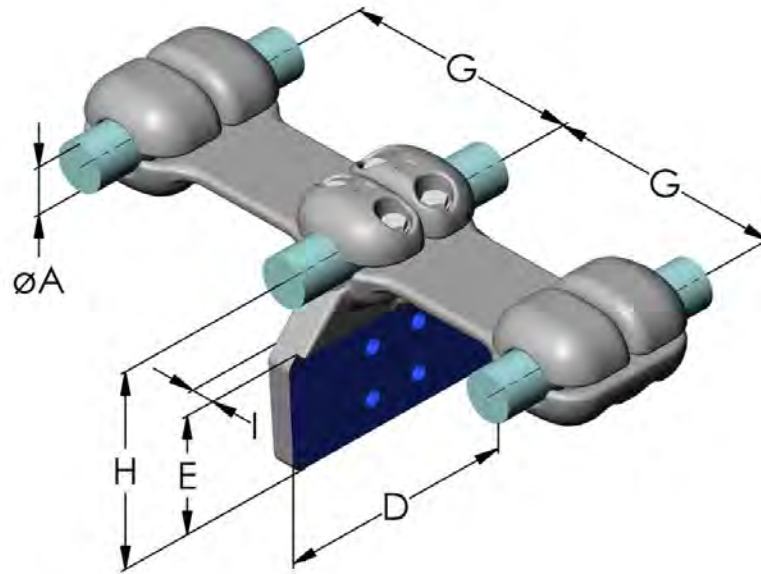
Article No.	Voltage	ØA *)	Covers A	ØB *)	Screwpairs B	Bundle-spacing G
T31K-034	550 kV	30,6-32,6	1	50-52	2	300
T31K-042	420 kV	30,0-44,0	3	30,0-44,0	3	100
T31K-060	550 kV	28,5-44,8	3	30-63	3	200
T31K-063	420 kV	28,5-44,8	3	60-63	3	100
T31K-530	420 kV	30,6-32,6	1	30,0-32,0	1	100
T31K-545	245 kV	28,5,-33,0	2	52-52	2	100
T31K-564	245 kV	39,3-41,1	3	60-62	3	100

*) please specify exact diameter in case of order



Article No.	Voltage	ØA *)	Covers A	Bundle-spacing G_{Δ}	ØB *)	Covers B	Bundle-spacing G
T32K-032	420 kV	20,3-32,6	3	400	30-42	2	200
T32K-431	420 kV	20,3-33,8	2	400	30-42	2	200
T32K-432	420 kV	26,5-28,7	3	400	30-42	2	400
T32K-555	550 kV	26,5-33,0	2	457	46-55	2	400

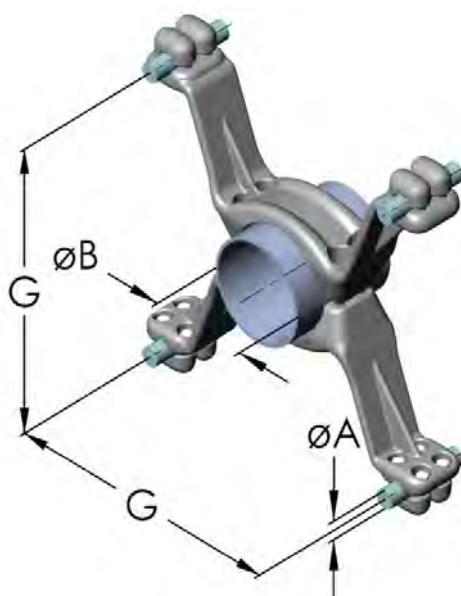
*) please specify exact diameter in case of order



Article No.	Voltage	ØA *)	Covers A	Bundle-spacing G	Height H	Flat terminal		
						D	E	I
T3FK-038	550 kV	38,0-39,0	2	200	175	125	125	25
T3FK-040	550 kV	28,5-44,0	2	200	162	200	100	20
T3FK-532	550 kV	20,3-33,6	2	200	172	125	125	25
T3FK-541	420 kV	32,0-42,0	1	100	0	100	100	15

*) please specify exact diameter in case of order

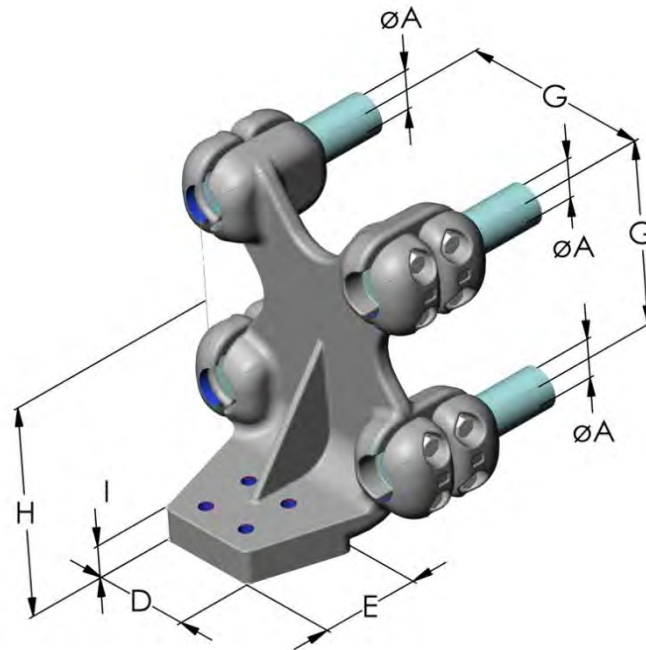
Al-Parallel quadruple/single connector



Article No.	Voltage	ØA *)	Covers A	ØB *)	Screwpairs B	Bundle-spacing G
I41K-061	550 kV	20,3-33,8	2	40-62	2	200
I41K-062	550 kV	30,0-42,0	3	50-62	2	200
I41K-063	550 kV	40,0-52,0	3	50-62	3	200
I41K-064	550 kV	20,3-33,8	2	30-63	2	200
I41K-065	550 kV	20,3-33,8	2	30-63	2	100
I41K-100	550 kV	30,0-44,0	3	100	3	200
I41K-120	550 kV	20,3-33,8	2	120	2	200
I41K-140	420 kV	18,3-33,8	2	140-160	2	457
I41K-141	550 kV	30,0-42,0	2	140-141,3	2	200
I41K-150	245 kV	30,0-42,0	3	160	2	110
I41K-160	550 kV	30,0-42,0	3	160	2	150
I41K-161	420 kV	30,0-42,0	2	160	2	200
I41K-162	550 kV	20,0-33,0	2	160	2	200
I41K-163	420 kV	35,0-42,0	3	160	2	100
I41K-250	550 kV	30,0-42,0	3	250	2	200
I41K-251	550 kV	22,0-32,0	2	250	2	200
I41K-252	550 kV	22,0-32,0	2	250	2	200
I41K-400	550 kV	30-63	2	28,0-33,0	2	400

*) please specify exact diameter in case of order

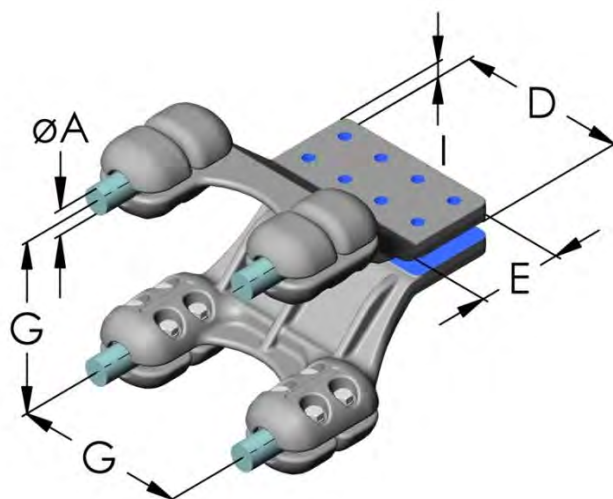
Al-Straight quadruple flat terminal connector



Article No.	Voltage	ØA *)	Covers A	Bundle-spacing G	Height H	D	Flat terminal		
							E	I	
I4FK-032	245 kV	20,0-32,0	2	100	90	100	100	25	
I4FK-033	145 kV	20,0-32,0	1	200	0	100	100	15	
I4FK-040	550 kV	30,0-42,0	3	200	100	300	100	25	
I4FK-042	245 kV	30,0-42,0	3	100	100	200	125	35	
I4FK-043	550 kV	28,5-44,0	2	200	175	100	100	35	

*) please specify exact diameter in case of order

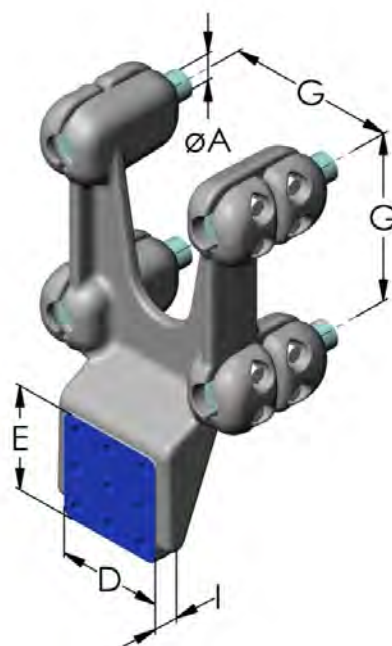
Al-Straight quadruple flat terminal connector



Article No.	Voltage	ØA *)	Covers A	Bundle-spacing G	D	Flat terminal	
						E	I
I4FK-030	550 kV	28,5-33,8	2	200	200	100	25
I4FK-031	550 kV	22,0-32,0	2	200	200	100	20
I4FK-034	550 kV	20,0-33,0	2	200	200	100	17
I4FK-035	550 kV	28,5-33,8	2	200	100	100	25
I4FK-036	550 kV	20,0-33,0	2	200	200	100	20
I4FK-041	550 kV	30,0-40,0	3	200	200	100	20
I4FK-045	420 kV	35,0-42,0	3	100	200	100	20

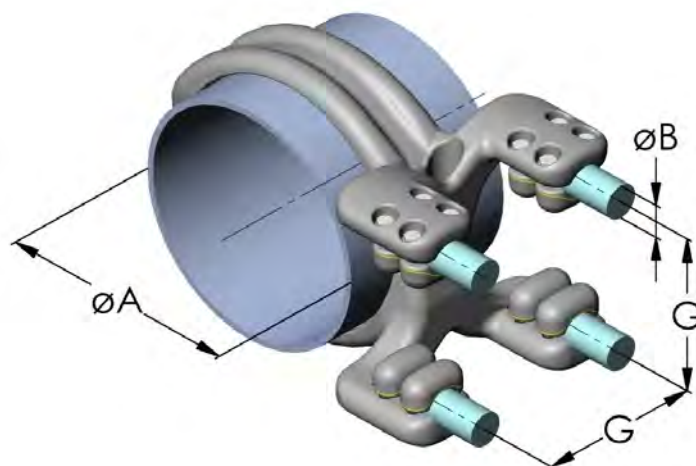
*) please specify exact diameter in case of order

AI-90° quadruple flat terminal connector



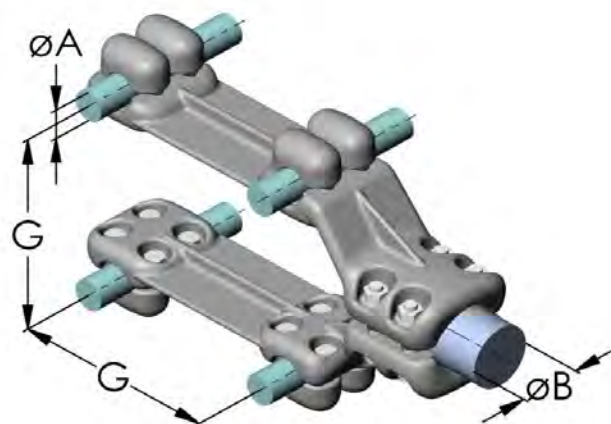
Article No.	Voltage	ØA *)	Covers A	Bundle-spacing G	Flat terminal		
					D	E	I
L4FK-025	550 kV	24,5-33,8	1	200	100	100	15
L4FK-026	420 kV	24,5-33,8	1	200	100	100	15
L4FK-032	550 kV	30,6-33,8	2	200	200	100	25
L4FK-033	420 kV	20,0-34,0	2	450	125	125	25
L4FK-034	550 kV	22,0-32,0	2	200	200	100	25
L4FK-038	420 kV	20,3-33,8	2	200	125	125	25
L4FK-039	550 kV	20,3-33,8	2	200	100	200	25

*) please specify exact diameter in case of order



Article No.	Voltage	ØA *)	Screwpairs A	ØB *)	Covers B	Bundle-spacing G
T41K-066	245 kV	40-63	2	28,5-44,8	3	100
T41K-100	550 kV	100	2	30,0-42,0	2	200
T41K-101	245 kV	100	2	22,5-24,5	2	100
T41K-102	550 kV	100	2	22,0-32,0	2	200
T41K-160	550 kV	160	2	30,0-42,0	3	150
T41K-161	245 kV	160	2	22,0-32,0	2	100
T41K-162	550 kV	160	2	30,0-42,0	3	200
T41K-200	550 kV	200	2	40,0-52,0	3	200
T41K-201	550 kV	200	2	30,0-42,0	3	200
T41K-250	550 kV	250	2	30,0-42,0	3	200
T41K-251	550 kV	250	2	22,0-32,0	2	200
T41K-300	420 kV	300	2	30,0-42,0	2	200
T41K-301	420 kV	300	2	28,5-44,0	3	200

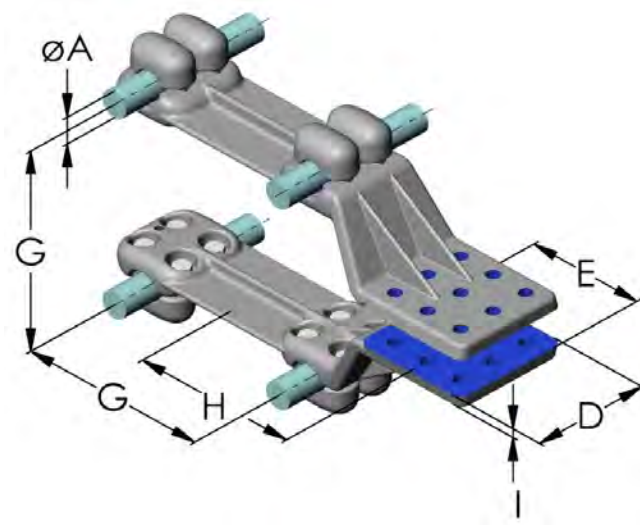
*) please specify exact diameter in case of order



Types with coronaring to be used for conductors end at HV

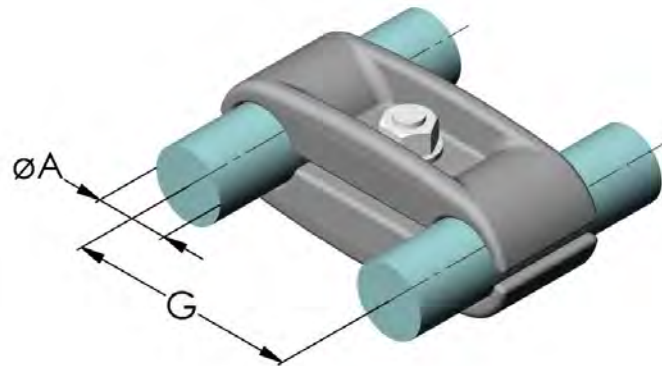
Article No.	Voltage	ØA *)	Covers A	ØB *)	Screwpairs B	Bundle-spacing G	Remark
T41K-022	550 kV	18,3-33,8	2	50-63	2	200	with Coronaring
T41K-032	550 kV	22,0-32,0	2	22,0-32,0	2	200	-
T41K-033	550 kV	22,0-32,0	2	22,0-32,0	2	200	with Coronaring
T41K-034	420 kV	22,0-32,0	3	30,0-42,0	3	100	-
T41K-061	420 kV	18,3-33,8	2	50-63	2	200	-
T41K-062	245 kV	30,0-42,0	3	50-63	2	200	-
T41K-063	550 kV	30,0-42,0	3	50-63	2	200	with Coronaring
T41K-064	550 kV	30,0-42,0	3	50-63	2	200	-

*) please specify exact diameter in case of order



Article No.	Voltage	ØA *)	Covers A	Bundle-spacing G	Height H	D	Flat terminal	
							E	I
T4FK-030	550 kV	20,3-33,8	2	200	406	125	125	15
T4FK-031	550 kV	20,3-33,8	2	200	350	125	125	20
T4FK-043	550 kV	30,0-42,0	3	200	220	300	100	20

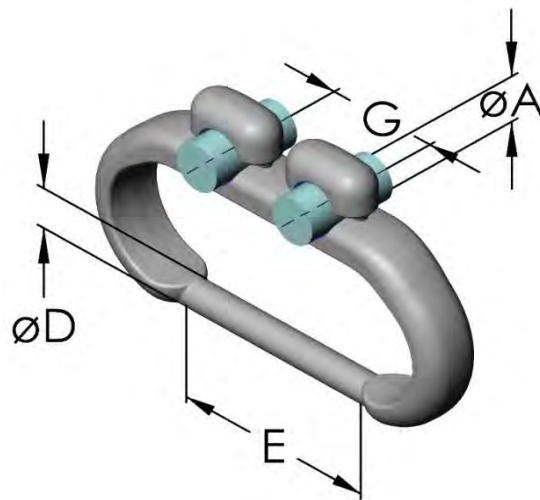
*) please specify exact diameter in case of order



Article No.	Voltage	$\varnothing A$ *)	Bundle-spacing G
Q2K-033	245 kV	31,5-32,7	50
Q2K-043	145 kV	17,0-17,5	45
Q2K-046	245 kV	28,7-33,5	45
Q2K-061	420 kV	32,0-32,6	60
Q2K-062	420 kV	30,6-32,6	60
Q2K-070	245 kV	21,9-32,6	70
Q2K-072	420 kV	41,1-43,3	72
Q2K-085	420 kV	35,3-36,8	85
Q2K-086	420 kV	20,0-33,8	80
Q2K-100	420 kV	20,0-33,0	100
Q2K-101	420 kV	41,1-43,0	100
Q2K-109	420 kV	32,7-41,1	100
Q2K-110	420 kV	24,5-26,5	100
Q2K-114	420 kV	40,0	110
Q2K-210	420 kV	24,5-26,5	200

*) please specify exact diameter in case of order

Conductor transversal to duplex

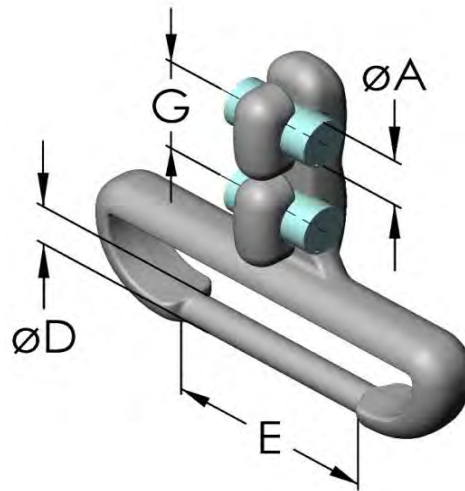


Article No.	Voltage	ØA *)	Covers A	Stirrup-diameter ØD	Stirrup-length E	Bundle-spacing G
D2K-030	245 kV	32,2-32,2	1	25	170	70
D2K-032	245 kV	20,0-32,0	1	25	170	100
D2K-034	420 kV	22,0-44,0	1	25	170	200
D2K-037	420 kV	22,0-44,0	1	30	170	200
D2K-039	245 kV	20,0-44,0	1	25	180	100
D2K-042	245 kV	32,0-43,0	1	25	110	100
D2K-043	420 kV	20,0-43,2	1	25	172	100
D2K-044	420 kV	28,5-44,5	1	25	170	100

*) please specify exact diameter in case of order

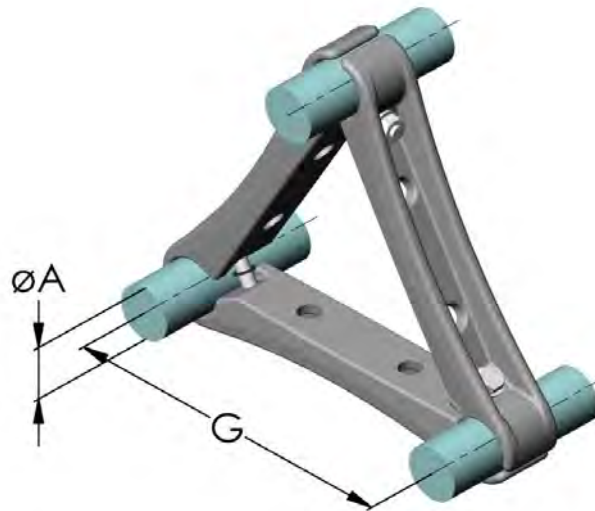
Al-Duplex earthing fixpoints

Stirrup parallel with duplex



Article No.	Voltage	ØA *)	Covers A	Stirrup-diameter ØD	Stirrup-length E	Bundle-spacing G
D2K-036	420 kV	30,0-44,0	1	25	170	180

*) please specify exact diameter in case of order

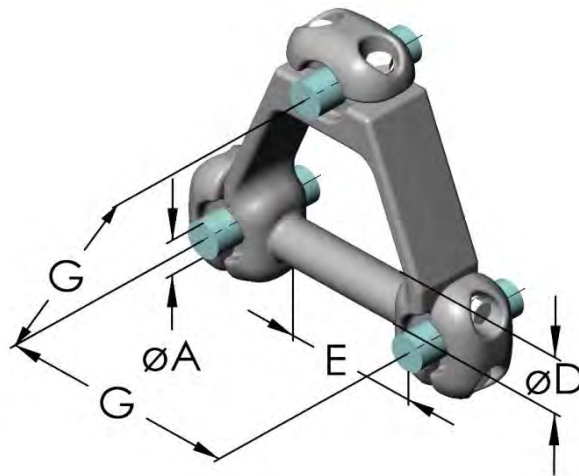


Article No.	Voltage	ØA *)	Bundle-spacing G
Q3K-105	550 kV	36,8-39,2	100
Q3K-106	420 kV	30,6-32,6	100
Q3K-200	420 kV	29,1-30,4	200
Q3K-201	550 kV	35,1-36,9	200
Q3K-202	420 kV	32,6-32,6	200
Q3K-207	420 kV	30,6-32,6	200
Q3K-208	550 kV	36,9-39,0	200
Q3K-300	550 kV	30,6-32,6	300
Q3K-301	550 kV	36,0-38,0	300
Q3K-330	550 kV	35,1-36,9	330
Q3K-337	550 kV	36,8-38,7	330
Q3K-457	550 kV	28,1-29,1	457

*) please specify exact diameter in case of order

Al-Triplex earthing fixpoints

Stirrup transversal to triplex

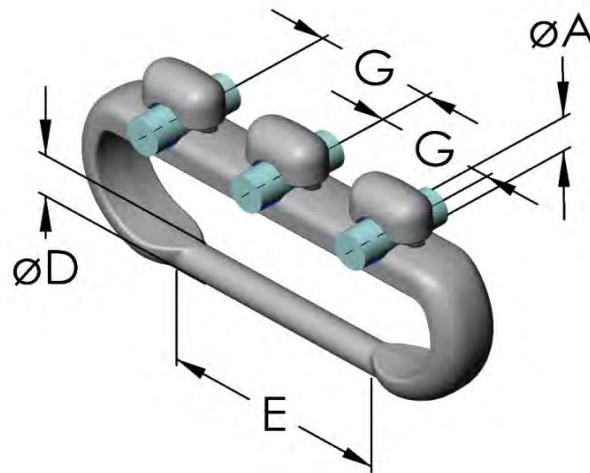


Article No.	Voltage	ØA *)	Covers A	Stirrup-diameter ØD	Stirrup-length E	Bundle-spacing G
D3K-042	550 kV	30,0-42,0	1	35	110	200
D3K-044	550 kV	30,0-42,0	1	30	243	330

*) please specify exact diameter in case of order

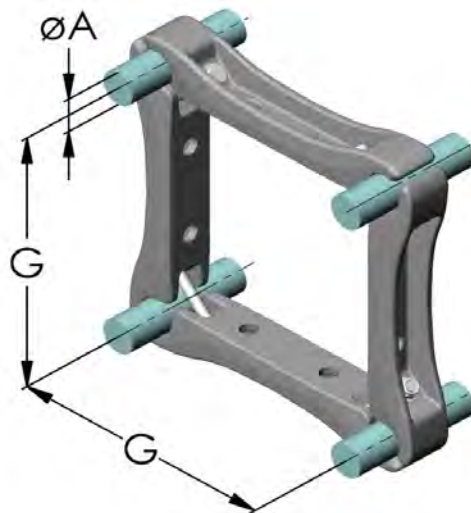
Al-Triplex earthing fixpoints

Stirrup transversal to triplex



Article No.	Voltage	ØA *)	Covers A	Stirrup-diameter ØD	Stirrup-length E	Bundle-spacing G
D3K-032	420 kV	22,0-44,0	1	25	170	100
D3K-039	420 kV	22,0-44,0	1	30	170	100
D3K-040	420 kV	20,3-44,0	1	25	300	200

*) please specify exact diameter in case of order

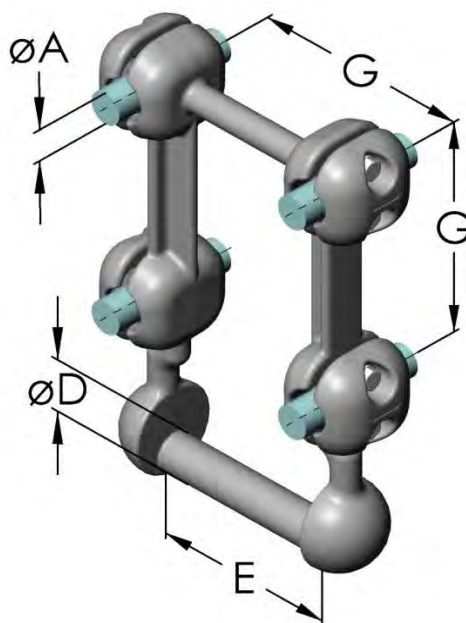


Article No.	Voltage	ØA *)	Bundle-spacing G
Q4K-024	245 kV	22,5-24,5	100
Q4K-032	550 kV	31,7-32,6	200
Q4K-037	550 kV	35,1-36,9	200
Q4K-200	550 kV	38,6-40,4	200
Q4K-202	550 kV	24,5-34,9	200
Q4K-204	550 kV	34,5-45,9	200
Q4K-250	550 kV	22,4-24,5	250
Q4K-457	550 kV	27,0-29,1	457
Q4K-500	550 kV	27,0-29,1	500

*) please specify exact diameter in case of order

Al-Quadruple earthing fixpoints

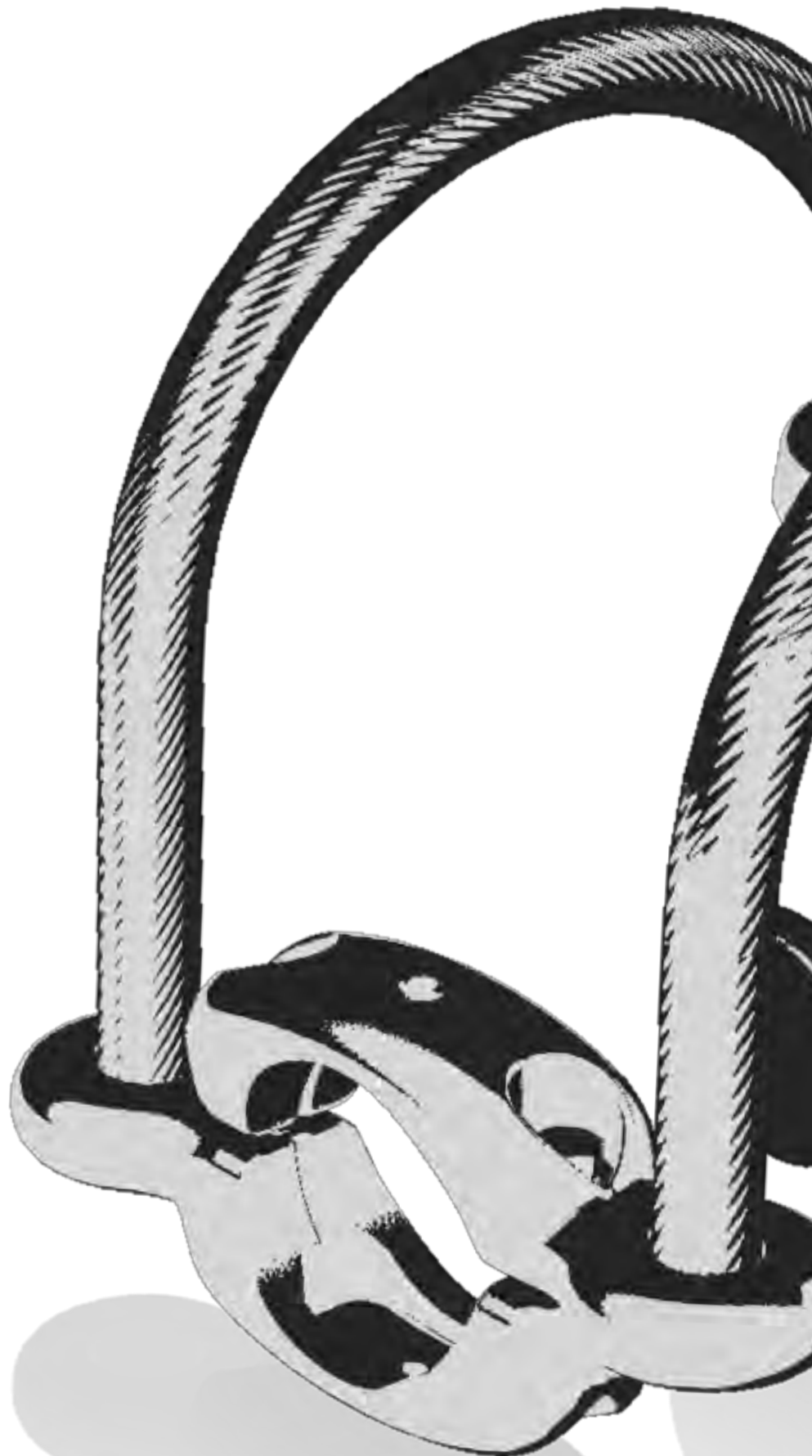
Stirrup transversal to quadruple



Article No.	Voltage	ØA *)	Covers A	Stirrup-diameter ØD	Stirrup-length E	Bundle-spacing G
D4K-032	245 kV	20,03-33,8	1	25	100	100
D4K-033	245 kV	26,5-32,6	1	35	170	200
D4K-034	550 kV	31,7-33,8	1	30	170	200
D4K-035	550 kV	26,5-32,6	1	30	100	200

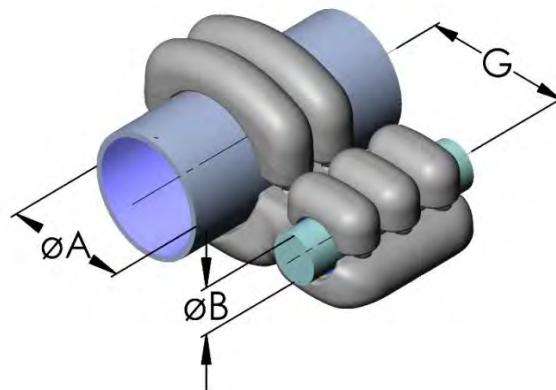
*) please specify exact diameter in case of order

- Busbar Clamps
 - Earthing Fixpoints
 - Endcaps



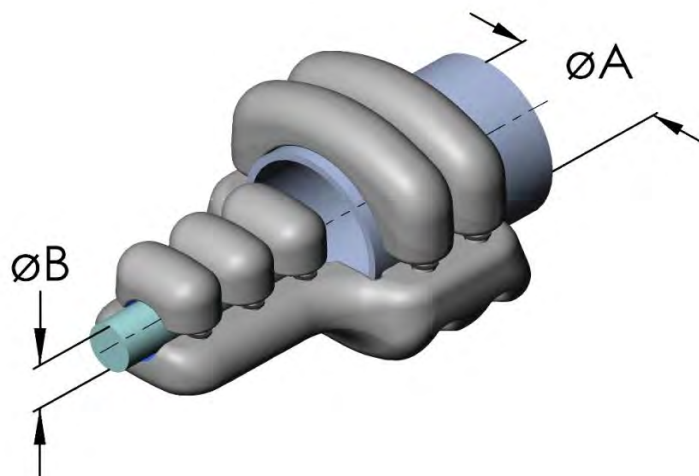
All images are only symbols
and are not corresponding
to the real clamp!

All products can be adapted
for your special situation!



Article No.	Voltage	ØA *)	Covers A	ØB *)	Covers B	Dimension G
H11K-043	245 kV	30,0-42,0	3	24,5-36,9	3	100
H11K-063	245 kV	60-63	2	22,0-33,0	3	72
H11K-064	420 kV	30-63	2	30,0-42,0	3	100
H11K-080	245 kV	80	2	30,0-42,0	3	110
H11K-081	245 kV	80	1	20,0-33,0	2	115
H11K-100	420 kV	100	2	30,0-40,0	4	120
H11K-102	245 kV	100	1	22,0-33,0	2	115
H11K-104	420 kV	100	2	28,5-44,0	3	125
H11K-120	245 kV	114,3-120	2	30,0-44,0	3	135
H11K-125	420 kV	120	2	22,0-32,0	3	125
H11K-141	245 kV	140-160	2	20,0-32,0	3	145
H11K-150	420 kV	150	2	30,0-40,0	4	145
H11K-252	245 kV	250	2	28,5-42,0	3	210
H11K-254	420 kV	250	2	35,0-37,0	3	200

*) please specify exact diameter in case of order

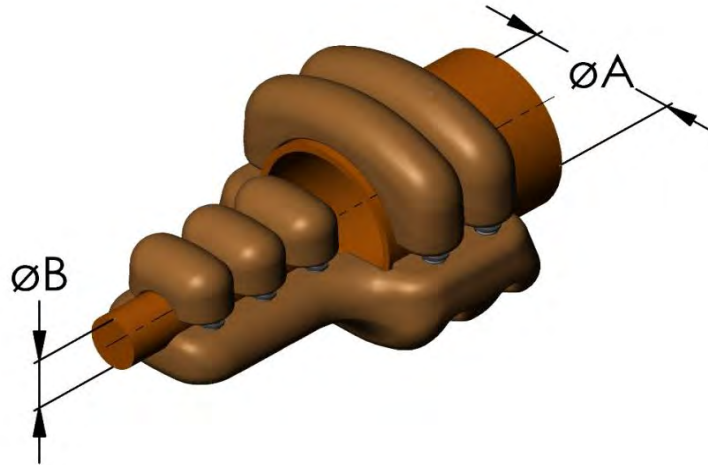


Article No.	Voltage	ØA *)	Covers A	ØB *)	Covers B
I11K-014	245 kV	20	2	5,0-16,0	2
I11K-015	245 kV	30	2	5,0-16,0	2
I11K-019	245 kV	16,0-22,0	2	16,0-22,0	2
I11K-021	245 kV	20,0-22,0	2	9,0-16,0	2
I11K-026	245 kV	30,0-32,0	2	16,0-22,0	2
I11K-028	245 kV	30,0-30,0	2	18,3-20,4	2
I11K-029	245 kV	20,3-33,8	2	20,3-33,8	2
I11K-030	245 kV	30	2	30,5-32,5	2
I11K-031	245 kV	30	2	16,3-18,3	2
I11K-032	245 kV	30,0-32,0	2	16,0-22,0	3
I11K-033	245 kV	30,0-32,0	2	20,0-32,0	3
I11K-035	245 kV	30,0-42,0	2	30,0-32,0	2
I11K-039	245 kV	30,0-42,0	2	30,0-42,0	2
I11K-040	420 kV	30,0-40,0	2	30,0-40,0	3
I11K-042	245 kV	30,0-40,0	2	22,0-32,0	3
I11K-043	245 kV	30,0-42,0	2	20,0-32,0	3
I11K-044	420 kV	30,0-42,0	3	30,0-42,0	3
I11K-045	245 kV	30,0-42,0	2	30,0-42,0	3
I11K-046	245 kV	30,0-42,0	4	22,0-33,0	3
I11K-047	245 kV	30,0-40,0	3	30,0-40,0	3

*) please specify exact diameter in case of order

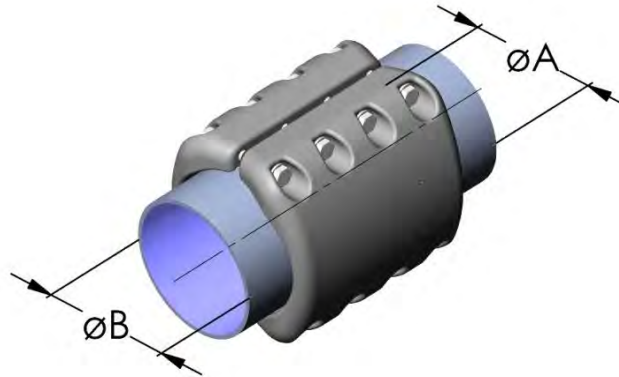
Article No.	Voltage	ØA *)	Covers A	ØB *)	Covers B
I11K-050	245 kV	50	2	50	2
I11K-051	245 kV	50	2	30,0-32,0	2
I11K-052	245 kV	50	2	22,0-32,0	3
I11K-053	245 kV	50	2	20,0-32,0	3
I11K-054	245 kV	40-50	2	30,0-42,0	3
I11K-055	245 kV	40-52	3	40-52	3
I11K-056	245 kV	40-52	3	30,0-42,0	4
I11K-057	245 kV	40-54,8	2	20,0-33,0	2
I11K-059	145 kV	40-54,8	2	9,0-16,3	2
I11K-060	420 kV	80	2	40-62	3
I11K-061	245 kV	60-63	2	30,0-42,0	3
I11K-064	245 kV	60-63	2	30,0-42,0	3
I11K-065	245 kV	50-63	2	40-52	2
I11K-066	245 kV	60-63	2	60-63	2
I11K-067	245 kV	50-63	2	40-52	3
I11K-068	245 kV	60-63	1	22,0-24,5	2
I11K-069	245 kV	60-63	2	30,0-40,0	4
I11K-070	420 kV	50-63	3	50-63	3
I11K-071	245 kV	70-80	2	18,3-33,8	2
I11K-083	245 kV	80	2	20,0-32,0	3
I11K-084	245 kV	80	2	30,0-42,0	3
I11K-085	245 kV	80	2	20,3-33,8	3
I11K-101	420 kV	100	2	16,3-33,8	3
I11K-102	245 kV	100	2	16,0-22,0	2
I11K-103	245 kV	100	2	46,3	3
I11K-104	245 kV	100	2	30,0-42,0	3
I11K-105	245 kV	100	1	22,0-24,5	2
I11K-124	245 kV	114-120	2	30,0-42,0	3
I11K-125	245 kV	120	2	40,0-42,0	2
I11K-126	245 kV	120	2	40-62	3
I11K-127	245 kV	120	2	46,31	2
I11K-141	550 kV	140-141,3	2	40,0-62,0	2
I11K-160	245 kV	150-160	2	30,0-42,0	3
I11K-527	245 kV	28,5-44,8	3	16,3-33,8	3
I11K-560	245 kV	40-52	2	30,0-44,0	3
I11K-563	245 kV	50-60	1	24,5-30,0	2

*) please specify exact diameter in case of order



Article No.	Voltage	ØA *)	Covers A	ØB *)	Covers B
I11K-013Cu	245 kV	5,0-14,0	2	21,0-30,0	2
I11K-023Cu	245 kV	14,0-21,0	2	21,0-30,0	2
I11K-024Cu	245 kV	14,0-21,0	2	40	2
I11K-025Cu	245 kV	21,0-30,0	2	40	2
I11K-029Cu	245 kV	21,0-30,0	3	21,0-30,0	2
I11K-032Cu	420 kV	21,0-30,0	2	30,0-40,0	3
I11K-033Cu	245 kV	18,3-30,6	2	18,3-30,6	2
I11K-034Cu	245 kV	21,0-30,0	3	21,0-30,0	3
I11K-035Cu	245 kV	21,0-30,0	2	30,0-40,0	2
I11K-036Cu	245 kV	21,0-30,0	3	30,0-40,0	3
I11K-050Cu	245 kV	40-50	2	40-50	2
I11K-062Cu	245 kV	60-63	2	14,0-21,0	2
I11K-063Cu	245 kV	60-63	2	21,0-30,0	2
I11K-066Cu	245 kV	60	2	60	2
I11K-106Cu	245 kV	100	2	21,0-30,0	2

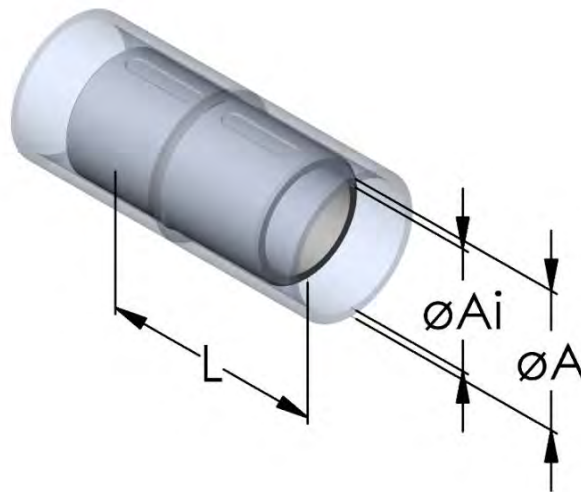
*) please specify exact diameter in case of order



Please refer to our general recommendations for coupler location

Article No.	Voltage	ØA *)	Screwpairs A	ØB *)	Screwpairs B
I11K-080	245 kV	80	2	80	2
I11K-088	420 kV	88,9	2	88,9	2
I11K-100	245 kV	100	2	100	2
I11K-119	420 kV	120	2	114,3	2
I11K-120	245 kV	120-125	2	120-125	2
I11K-121	420 kV	120	2	120	2
I11K-140	550 kV	140-141,3	2	140-141,3	2
I11K-159	550 kV	170	2	160	2
I11K-161	550 kV	140-168	2	140-168	2
I11K-162	550 kV	160	2	120	2
I11K-164	420 kV	160	2	100	2
I11K-165	550 kV	160	2	160	2
I11K-201	550 kV	200	2	200	2
I11K-216	420 kV	200	2	160	2
I11K-220	550 kV	220	2	220	2
I11K-250	550 kV	250	2	250	2
I11K-252	550 kV	250	2	200	2
I11K-308	800 kV	300	2	300	2

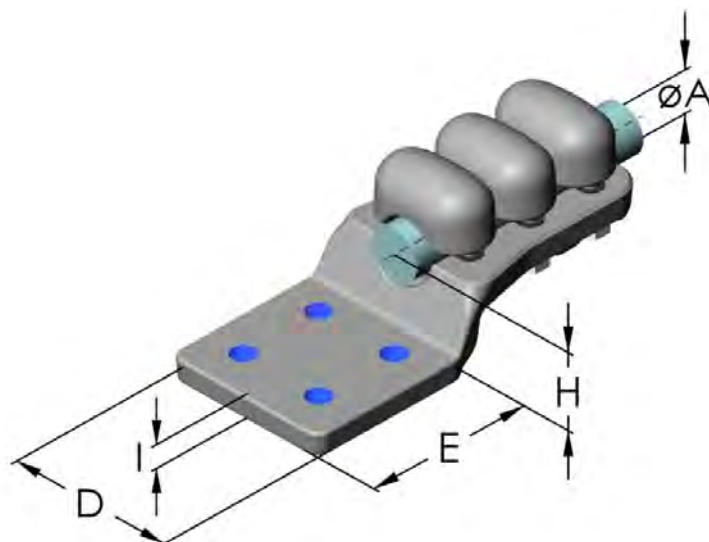
*) please specify exact diameter in case of order



Please refer to our general recommendations for coupler location and welding

Article No.	Voltage	ØA *)	ØAi *)	Length L
I11W-060	245 kV	60,3	52,3	140
I11W-089	245 kV	88,9	77,94	140
I11W-120	550 kV	120	108	400
I11W-121	550 kV	120	98	300
I11W-141	550 kV	141,3	123,04	200
I11W-142	245 kV	141,3	128,02	200
I11W-143	245 kV	141,3	122,25	200
I11W-162	245 kV	160	148	240
I11W-168	245 kV	168,3	154,05	200
I11W-203	245 kV	200	188	300
I11W-204	245 kV	200	188	280
I11W-250	550 kV	250	240	400
I11W-251	550 kV	250	240	400
I11W-252	550 kV	250	236	300
I11W-253	245 kV	250	240	300

*) please specify exact diameter in case of order



Article No.	Voltage	ØA *)	Covers A	Height H	Flat terminal		
					D	E	I
I1FK-015	245 kV	16,0-22,0	3	46	80	80	10
I1FK-018	245 kV	16,0-22,0	2	0	80	80	12
I1FK-021	245 kV	16,0-22,0	2	25	100	100	12
I1FK-022	245 kV	16,0-22,0	3	48	100	100	12
I1FK-023	245 kV	20,4-22,5	2	0	80	80	12
I1FK-024	245 kV	22,5-24,5	2	32	100	100	12
I1FK-029	245 kV	22,0-32,0	2	63	100	100	14
I1FK-030	245 kV	22,0-32,0	2	30	80	80	12
I1FK-032A	245 kV	22,5-33,8	3	45	100	100	12
I1FK-032C	245 kV	20,0-33,0	3	45	100	100	14
I1FK-033	245 kV	22,0-32,0	3	43	125	125	14
I1FK-035	245 kV	22,0-32,0	3	30	80	80	12
I1FK-037	245 kV	30,0-40,0	2	0	75	75	15
I1FK-038	245 kV	30,0-42,0	3	0	125	125	15
I1FK-039	245 kV	30,0-42,0	2	37	100	100	15
I1FK-040	245 kV	30,0-40,0	4	42	60	60	20
I1FK-041A	420 kV	30,0-44,0	3	47	100	100	15
I1FK-041C	420 kV	30,0-44,0	3	47	100	100	15
I1FK-042	245 kV	30,0-42,0	3	37	75	75	15
I1FK-043	245 kV	30,0-42,0	3	37	100	100	15
I1FK-044	245 kV	30,0-40,0	4	42	125	125	20

*) please specify exact diameter in case of order

AI-Straight flat terminal connector

Article No.	Voltage	ØA *)	Covers A	Height H	Flat terminal		
					D	E	I
I1FK-045	245 kV	30,0-40,0	3	55	200	100	15
I1FK-046	420 kV	30,0-42,0	3	43	80	90	18
I1FK-047	245 kV	40-50	2	46	80	80	20
I1FK-048	245 kV	20,0-32,0	3	0	60	130	20
I1FK-049	420 kV	30,0-44,0	3	85	100	100	20
I1FK-050	245 kV	50	2	60	100	100	15
I1FK-051	245 kV	40-50	3	46	100	100	20
I1FK-053	245 kV	40-52	2	55	125	125	15
I1FK-054	245 kV	30,0-40,0	4	37	100	100	15
I1FK-055	245 kV	40-52	2	55	170	125	15
I1FK-056	420 kV	30,6-44,0	4	52	99	100	20
I1FK-057	245 kV	40-50	2	28,5	60	60	20
I1FK-060	245 kV	60-63	2	72	100	100	20
I1FK-061	420 kV	60-63	2	70	170	125	20
I1FK-063	245 kV	60-63	2	72	100	100	20
I1FK-064	245 kV	60-63	3	0	125	125	20
I1FK-073	245 kV	70-80	2	90	100	100	25
I1FK-080	245 kV	80	2	90	100	100	24
I1FK-081	245 kV	80	2	107	125	125	17
I1FK-083	145 kV	80	2	102	100	100	12
I1FK-084	245 kV	80	2	0	100	100	25
I1FK-100	245 kV	100	2	0	125	125	24
I1FK-102	420 kV	100	2	90	100	100	25
I1FK-103	420 kV	100	3	0	125	125	35
I1FK-106	420 kV	100	2	0	200	100	15
I1FK-107	420 kV	100	3	110	200	100	25
I1FK-113	420 kV	100	2	130	200	100	25
I1FK-114	550 kV	114,3-120	2	130	200	95	25
I1FK-115	420 kV	114,3-125	2	115	125	125	25
I1FK-118	245 kV	120	3	120	125	125	30
I1FK-119	420 kV	114,3-120	3	132,5	200	100	25
I1FK-120	245 kV	120	2	90	100	100	25
I1FK-124	420 kV	120	2	130	100	100	25
I1FK-125	245 kV	120-125	2	115	100	100	25
I1FK-126	550 kV	120	2	60	125	125	25
I1FK-141	550 kV	140-141,3	2	160	150	80	25
I1FK-144	420 kV	140-141,3	3	140	125	125	35
I1FK-145	550 kV	140-141,3	2	140	150	80	25
I1FK-160	245 kV	160	2	130	100	200	25
I1FK-161	420 kV	160-168	2	150	100	200	25
I1FK-164	550 kV	160-168,2	3	150	200	100	25
I1FK-332	245 kV	22,5-33,8	3	45	90	90	12
I1FK-333	245 kV	20,3-33,8	3	50	200	100	15

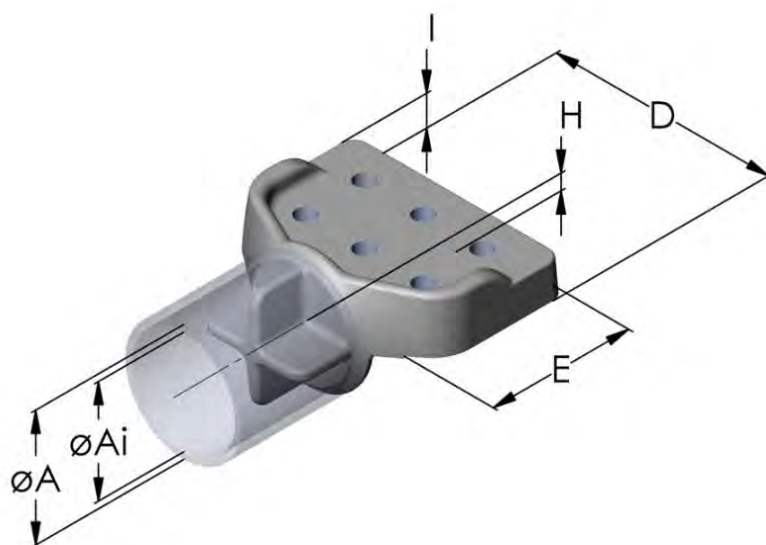
*) please specify exact diameter in case of order

Al-Straight flat terminal connector

Article No.	Voltage	ØA *)	Covers A	Height H	Flat terminal		
					D	E	I
I1FK-342	420 kV	30,0-44,0	3	40	100	215	12
I1FK-343	420 kV	28,5-44,8	4	60	125	125	20
I1FK-532	245 kV	18,3-33,0	3	45	100	100	12
I1FK-542	420 kV	35,-44,0	2	46	100	100	15
I1FK-546	420 kV	45,5-46,5	3	50	125	125	20
I1FK-560	420 kV	160	2	130	100	100	20

*) please specify exact diameter in case of order

Al-Straight flat terminal connector welded

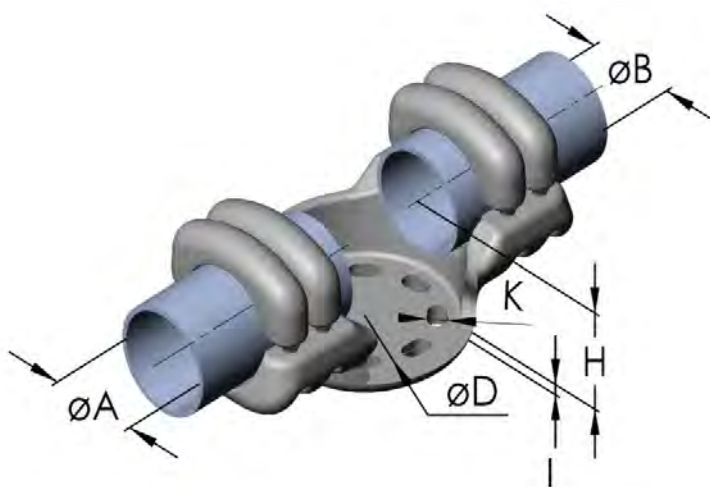


Article No.	Voltage	ØA *)	ØAi *)	Height H	Flat terminal		
					D	E	I
I1FW-060	245 kV	60,3	52,3	0	80	80	15
I1FW-063	145 kV	63	55,0	0	70	80	12
I1FW-081	145 kV	80	72	0	70	80	12
I1FW-082	245 kV	88,9	77,9	0	80	80	25
I1FW-088	145 kV	88,9	77,94	0	160	100	25
I1FW-100	245 kV	100	84	67	100	100	16
I1FW-125	145 kV	100	84	0	125	125	25
I1FW-128	145 kV	120	100	0	125	110	35
I1FW-141	550 kV	141,3	123,04	0	160	80	30
I1FW-143	550 kV	141,3	122,25	0	160	102	30
I1FW-144	550 kV	141,3	128,2	0	160	102	20
I1FW-162	145 kV	160	150	0	125	125	25
I1FW-225	145 kV	200	176	0	125	125	40

*) please specify exact diameter in case of order

Al-Straight double support coupler

Rigid type, current carrying



Article No.	Voltage	ØA *)	Covers A	ØB *)	Covers B	Height H	ØD	Diameter K	Flange-thickness I
IJOJK-033	245 kV	18,3-33,8	3	18,3-33,8	3	82	127	18	15
IJOJK-060	245 kV	50,0-63,0	2	50,0-63,0	2	72	100	14	20
IJOJK-063	245 kV	60,0-63,0	2	60,0-63,0	2	90	120	18	15
IJOJK-080	245 kV	80	2	80	2	90	127	18	18
IJOJK-083	245 kV	70-80	2	70-80	2	90	127	18	20
IJOJK-089	420 kV	88,9-100	2	88,9-100	2	100	127	18	20
IJOJK-090	420 kV	90-100	2	90-100	2	100	127	18	20
IJOJK-100	245 kV	100	2	100	2	100	127	18	18
IJOJK-101	245 kV	100	2	100	2	100	76	14	14
IJOJK-102	550 kV	100	1	100	1	100	400	18	20
IJOJK-104	245 kV	100	2	100	2	100	127	18	18
IJOJK-121	550 kV	114,3-120	2	114,3-120	2	130	225	18	20
IJOJK-122	550 kV	120	2	120	2	130	127	18	20
IJOJK-127	420 kV	120-125	2	120-125	2	130	127	18	20
IJOJK-141	550 kV	140-141,3	2	140-141,3	2	140	127	18	25
IJOJK-152	550 kV	140-160	2	140-160	2	150	127	18	12
IJOJK-154	550 kV	140-160	2	140-160	2	150	127	18	12
IJOJK-160	420 kV	160	2	160	2	130	127	18	26
IJOJK-161	420 kV	160	2	160	2	160	127	18	56
IJOJK-162	420 kV	160	2	160	2	130	127	18	26

*) please specify exact diameter in case of order

AI-Straight double support coupler

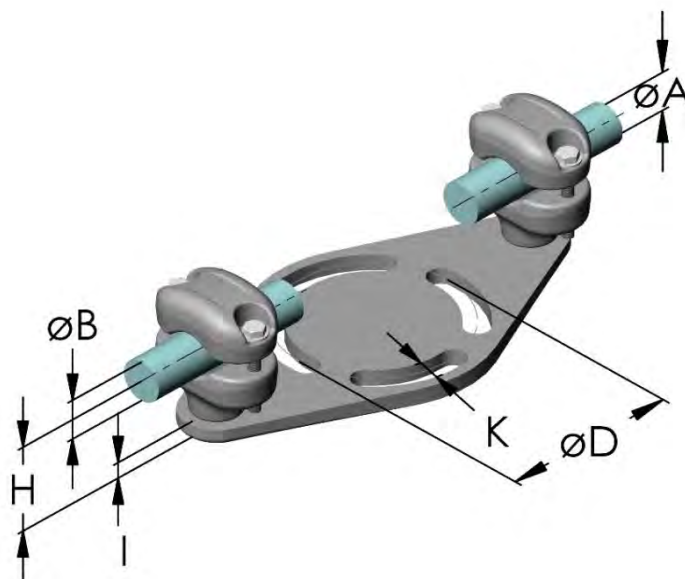
Rigid type, current carrying

Article No.	Voltage	ØA *)	Covers A	ØB *)	Covers B	Height H	ØD	Diameter K	Flange-thickness I
IJOJK-163	420 kV	160	2	160	2	130	127	18	26
IJOJK-164	420 kV	160	2	160	2	150	127	18	46
IJOJK-165	420 kV	150-160	3	150-160	3	125	127	18	20
IJOJK-250	550 kV	250	3	250	3	225	225	18	20
IJOJK-251	550 kV	250	2	250	2	180	400	18	25
IJOJK-254	550 kV	250	3	250	3	225	225	18	20

*) please specify exact diameter in case of order

Al-Straight double support coupler

Rigid type, non-current carrying

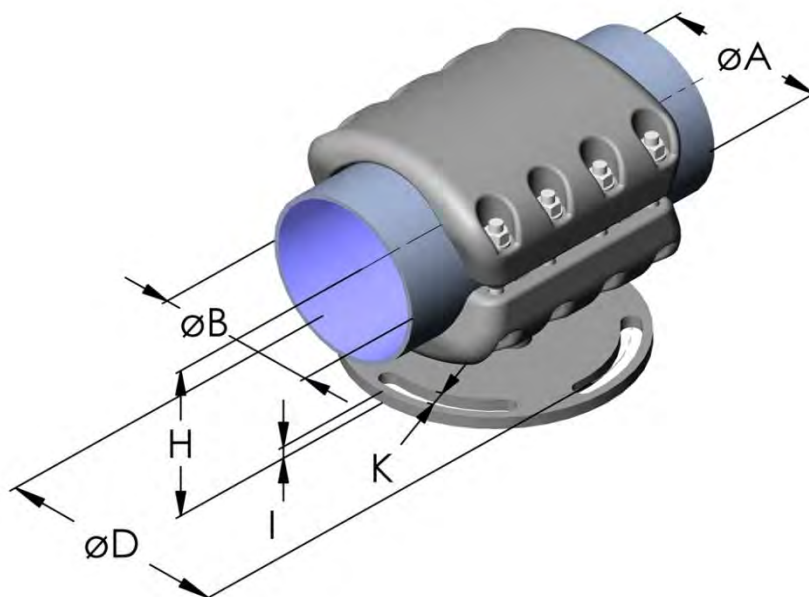


Article No.	Voltage	ØA *)	Covers A	ØB *)	Covers B	Height H	ØD	Diameter K	Flange-thickness I
IJOJK-041	245 kV	30,0-42,0	1	30,0-42,0	1	65	127	14	12
IJOJK-044	245 kV	30,0-42,0	1	30,0-42,0	1	70	254	18	15
IJOJK-050	145 kV	50	1	50	1	70	200	18	15
IJOJK-051	245 kV	50	1	50	1	70	120	14	15
IJOJK-052	245 kV	50	1	50	1	70	120	14	15
IJOJK-081	245 kV	80	1	80	1	100	127	18	12
IJOJK-082	245 kV	80	1	80	1	110	140	18	15
IJOJK-103	245 kV	100	1	100	1	100	127	18	12
IJOJK-123	245 kV	114-120	1	114-120	1	130	110	14	12
IJOJK-125	550 kV	120	2	120	2	130	225	18	18
IJOJK-126	245 kV	120	1	120	1	130	127	18	12
IJOJK-143	550 kV	140-141,3	1	140-141,3	1	140	127	18	15
IJOJK-252	420 kV	250	1	250	1	225	127	18	15

*) please specify exact diameter in case of order

Al-Straight double support coupler

Rigid type, current carrying

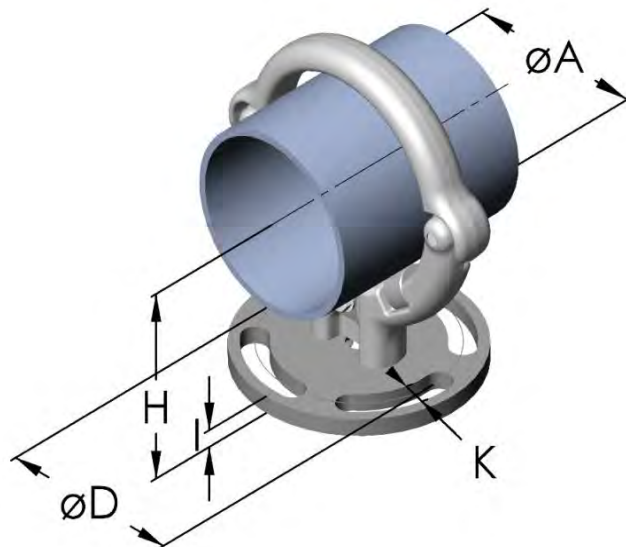


Article No.	Voltage	ØA *)	Screw-pairs A	ØB *)	Screw-pairs B	Height H	ØD	Diameter K	Flange-thickness I
IJOJK-064	420 kV	60-63	2	60,0-63,0	2	90	127	18	12
IJOJK-105	420 kV	100	1	100	1	100	127	18	12
IJOJK-124	550 kV	120	2	120	2	130	127	18	12
IJOJK-140	550 kV	140-141,3	2	140-141,3	2	140	127	18	12
IJOJK-168	550 kV	140-168,2	1	140-168,2	1	150	225	18	12
IJOJK-169	550 kV	140-168,2	1	140-168,2	1	165	127	18	25
IJOJK-201	420 kV	200	1	200	1	180	127	18	12
IJOJK-256	550 kV	250	2	250	1	225	225	18	10
IJOJK-259	550 kV	250	2	250	1	225	254	18	12

*) please specify exact diameter in case of order

Al-Straight busbar support with baseplate

Tube run, sliding or fix, angular movable



Article No.	Voltage	ØA *)	Height H	ØD	Diameter K	Flange-thickness I
IJOK-023	245 kV	15,1-24,0	50	76	14	12
IJOK-025	245 kV	15,1-24,0	50	127	18	12
IJOK-026	245 kV	15,1-24,0	50	127	18	12
IJOK-027	420 kV	30,0-33,8	89	127	18	12
IJOK-037	245 kV	30,0-42,0	65	127	18	12
IJOK-045	245 kV	33,0-43,0	62	127	18	12
IJOK-046	245 kV	33,0-43,0	62	127	18	12
IJOK-048	245 kV	33,0-43,0	110	127	18	12
IJOK-049	245 kV	33,0-43,0	62	140	14	12
IJOK-050	245 kV	50	70	120	14	15
IJOK-051	245 kV	42,0-52,0	70	127	18	12
IJOK-052	245 kV	42,0-52,0	68	76	14	12
IJOK-064	245 kV	60-63	90	76	14	12
IJOK-065	245 kV	60-63	90	127	18	15
IJOK-066	245 kV	60-63	90	120	14	15
IJOK-070	245 kV	70	90	127	14	15
IJOK-071	245 kV	70	90	46	10	25
IJOK-080	245 kV	80	90	120	14	12
IJOK-081	245 kV	80	90	127	18	12
IJOK-082	245 kV	80	100	120	14	15
IJOK-083	245 kV	80	90	225	18	12

*) please specify exact diameter in case of order

Al-Straight busbar support with baseplate

Tube run, sliding or fix, angular movable

Article No.	Voltage	ØA *)	Height H	ØD	Drilling-diameter K	Flange-thickness I
IJOK-084	245 kV	80	100	76	14	12
IJOK-085	245 kV	80	90	127	18	12
IJOK-086	245 kV	80	90	140	14	12
IJOK-087	245 kV	80	90	180	14	12
IJOK-100	245 kV	100	100	127	18	10
IJOK-101	245 kV	100	100	225	18	10
IJOK-102	245 kV	100	100	76	14	10
IJOK-103	245 kV	100	100	120	14	15
IJOK-105	245 kV	100	100	127	18	12
IJOK-106	245 kV	100	100	76	14	10
IJOK-108	245 kV	100	100	254	18	12
IJOK-109	245 kV	100	100	76	12	10
IJOK-110	245 kV	100	115	127	18	27
IJOK-111	245 kV	100	100	300	18	12
IJOK-112	245 kV	100	100	325	18	12
IJOK-114	550 kV	114-120	130	225	18	15
IJOK-115	550 kV	114-120	130	127	18	15
IJOK-116	420 kV	114-120	150	127	18	12
IJOK-117	550 kV	120	130	120	14	12
IJOK-119	420 kV	120	130	225	18	12
IJOK-120	245 kV	120	90	120	14	10
IJOK-121	245 kV	120	90	127	18	10
IJOK-123	245 kV	114-120	115	76	14	12
IJOK-124	245 kV	114-120	130	76	14	12
IJOK-126	420 kV	125	130	127	18	12
IJOK-127	420 kV	125	130	127	18	12
IJOK-128	550 kV	114-120	130	225	18	12
IJOK-130	420 kV	114-120	130	254	18	12
IJOK-131	420 kV	125	130	127	18	12
IJOK-141	550 kV	140-141,3	140	127	18	15
IJOK-143	550 kV	140-141,3	140	225	18	12
IJOK-145	550 kV	140-141,3	140	127	18	15
IJOK-148	420 kV	150-160	170	127	18	12
IJOK-149	420 kV	160	170	225	18	12
IJOK-151	550 kV	150-160	165	127	18	12
IJOK-154	420 kV	160	150	225	18	12
IJOK-155	550 kV	160	130	225	18	12
IJOK-156	420 kV	160	150	225	18	12
IJOK-157	420 kV	160	150	127	18	12
IJOK-158	420 kV	150-160	210	225	18	12
IJOK-159	245 kV	150-160	130	127	18	12
IJOK-162	245 kV	160	130	225	18	15

*) please specify exact diameter in case of order

Al-Straight busbar support with baseplate

Tube run, sliding or fix, angular movable

Article No.	Voltage	ØA *)	Height H	ØD	Drilling-diameter K	Flange-thickness I
IJOK-163	245 kV	150-160	225	127	18	15
IJOK-164	245 kV	160	150	127	18	15
IJOK-165	245 kV	160	160	127	18	12
IJOK-166	245 kV	150-160	150	127	18	12
IJOK-167	420 kV	160	150	127	18	12
IJOK-168	550 kV	160	160	225	18	12
IJOK-169	420 kV	160	150	225	18	12
IJOK-170	420 kV	160	265	225	18	12
IJOK-171	420 kV	160	365	225	18	12
IJOK-172	420 kV	168	150	127	18	12
IJOK-176	420 kV	150-160	130	225	18	12
IJOK-177	145 kV	160	158	76	14	24
IJOK-179	550 kV	168	150	225	18	12
IJOK-180	420 kV	160	150	394	11	12
IJOK-181	245 kV	160	150	120	14	15
IJOK-182	420 kV	160	150	254	18	12
IJOK-183	420 kV	160	150	356	8	12
IJOK-184	420 kV	160	150	225	18	12
IJOK-185	420 kV	150-160	150	127	18	12
IJOK-186	420 kV	150-160	150	127	18	12
IJOK-198	420 kV	200	180	120	18	17
IJOK-199	420 kV	200	180	120	18	17
IJOK-200	420 kV	200	180	225	18	17
IJOK-201	420 kV	200	180	127	18	17
IJOK-202	420 kV	200	180	225	18	17
IJOK-203	420 kV	200	180	127	18	17
IJOK-204	420 kV	200	180	127	18	15
IJOK-205	420 kV	200	175	225	18	15
IJOK-206	420 kV	200	165	127	18	12
IJOK-207	550 kV	200	180	225	18	12
IJOK-208	550 kV	200	180	127	18	12
IJOK-209	245 kV	200	175	76	14	12
IJOK-210	245 kV	200	175	76	14	12
IJOK-211	245 kV	200	180	120	14	15
IJOK-212	550 kV	200	180	380	14	12
IJOK-213	420 kV	200	165	225	8	12
IJOK-220	420 kV	220	210	127	18	12
IJOK-221	420 kV	220	210	225	18	12
IJOK-230	245 kV	30,0-42,0	200	127	18	12
IJOK-247	420 kV	250	225	325	18	12
IJOK-248	420 kV	250	225	300	18	12
IJOK-249	550 kV	250	200	225	18	17

*) please specify exact diameter in case of order

Al-Straight busbar support with baseplate

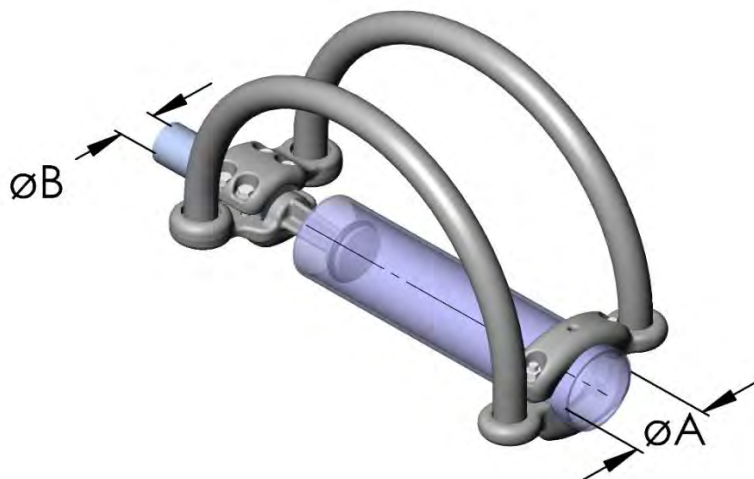
Tube run, sliding or fix, angular movable

Article No.	Voltage	ØA *)	Height H	ØD	Drilling-diameter K	Flange-thickness I
IJOK-250	550 kV	250	225	225	18	15
IJOK-251	420 kV	250	225	225	18	15
IJOK-252	420 kV	250	225	127	18	15
IJOK-253	420 kV	250	225	127	18	15
IJOK-255	550 kV	250	225	225	18	17
IJOK-257	420 kV	250	225	225	18	15
IJOK-258	420 kV	250	225	127	18	15
IJOK-259	420 kV	250	225	127	18	15
IJOK-260	420 kV	250	225	254	18	12
IJOK-262	420 kV	250	200	127	160	15
IJOK-263	550 kV	250	225	254	18	12
IJOK-265	550 kV	250	225	225	18	17
IJOK-267	420 kV	250	225	225	18	12
IJOK-269	550 kV	250	225	254	18	17
IJOK-303	420 kV	300	250	325	22	12
IJOK-304	420 kV	300	250	325	22	12
IJOK-305	420 kV	300	250	325	22	12
IJOK-306	420 kV	300	200	325	22	12

*) please specify exact diameter in case of order

Al-Busbar expansion connector with straight stud

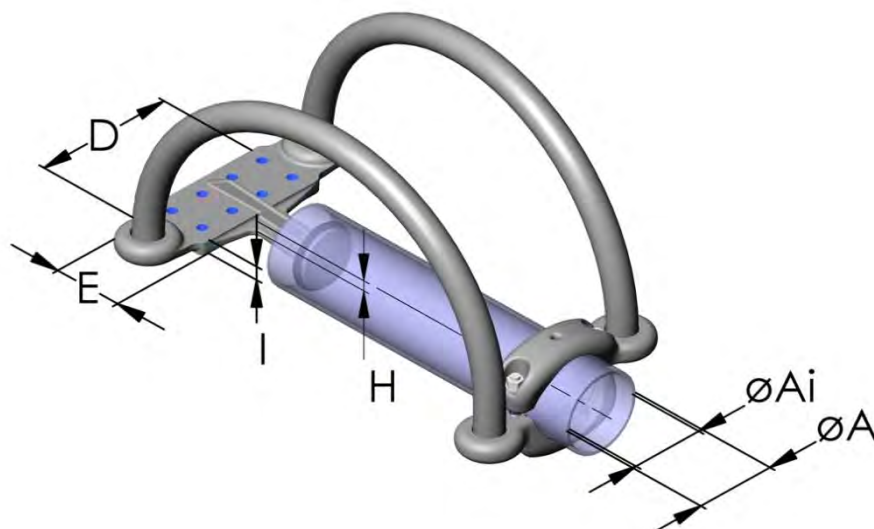
Tube sliding, angular movable



Article No.	Voltage	ØA *)	ØB *)
IX1K-080B	420 kV	80	30-42
IX1K-100E	245 kV	80-100	50-62
IX1K-101C	420 kV	100	30-42
IX1K-101F	420 kV	100	30-42
IX1K-114F	550 kV	114-120	50-62
IX1K-115B	420 kV	114-121	30-44
IX1K-120F	550 kV	120	50-62

*) please specify exact diameter in case of order

Tube sliding



Article No.	Voltage	ØA *)	ØAi *)	Height H	D	Flat terminal E	I
IXFK-060E	245 kV	60,3	52,3	0	100	100	25
IXFK-085E	245 kV	80	-	100	125	125	25
IXFK-089C	420 kV	89	74	0	125	125	40
IXFK-090B	245 kV	80	70	0	100	100	15
IXFK-096C	245 kV	100	-	100	125	125	47
IXFK-100E	420 kV	100	88	0	100	100	25
IXFK-102C	245 kV	100	88-90	92	125	125	40
IXFK-102F	420 kV	100	88-90	92	125	125	40
IXFK-111F	420 kV	100	88	0	125	125	24
IXFK-119E	420 kV	120	-	130	200	100	25
IXFK-119F	420 kV	120	-	130	200	100	25
IXFK-120B	245 kV	114-120	94-104	0	80	80	15
IXFK-120F	420 kV	114-120	104-110	0	100	100	25
IXFK-121C	420 kV	120	94-110	0	125	125	40
IXFK-121E	420 kV	114-120	94-104	0	125	125	40
IXFK-121F	420 kV	114-120	94-104	0	125	125	40
IXFK-124B	420 kV	120	-	130	100	100	20
IXFK-124E	420 kV	120	-	130	100	100	25
IXFK-128B	245 kV	120	-	130	125	125	25
IXFK-143C	420 kV	141,3	120	0	125	125	35

*) please specify exact diameter in case of order

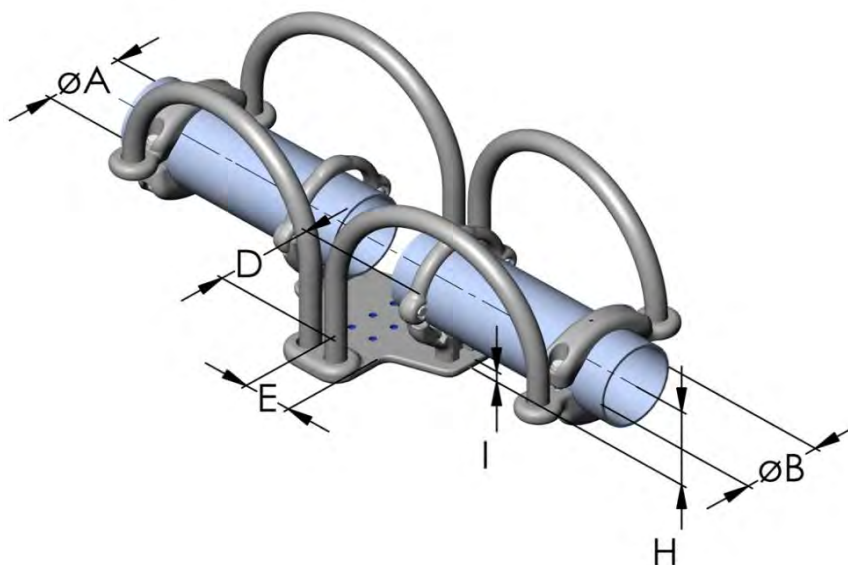
Al-Straight expansion flat terminal

tube sliding

Article No.	Voltage	ØA *)	ØAi *)	Height H	Flat terminal		
					D	E	I
IXFK-144E	550 kV	141,3	-	140	200	100	25
IXFK-145F	420 kV	141,3	120	0	125	125	25
IXFK-146C	420 kV	141,3	-	140	125	125	25
IXFK-146E	550 kV	141,3	-	140	125	125	25
IXFK-147E	550 kV	141,3	-	150	125	125	25
IXFK-166F	420 kV	160	148	0	125	125	25
IXFK-170E	420 kV	160	140-154	0	200	220	20
IXFK-255E	420 kV	250	234-240	0	200	100	25
IXFK-256E	420 kV	250	234-240	0	220	100	25

*) please specify exact diameter in case of order

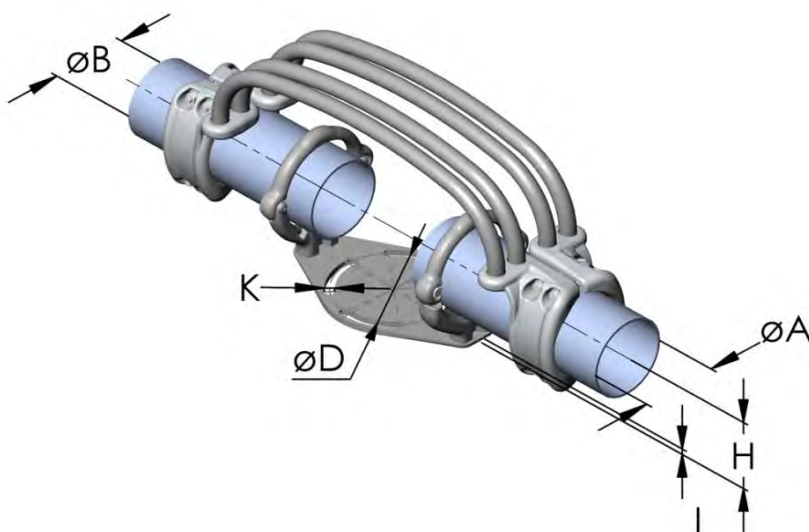
Al-Busbar expansion support coupler straight with flat terminal (ES/DS)



Article No.	Voltage	ØA *)	ØB *)	Height H	Flat terminal		
					D	E	I
IXFXK-050B	245 kV	50	50	75	100	100	20
IXFXK-063B	245 kV	60	60	90	100	100	20
IXFXK-080C	245 kV	80	80	90	100	100	20
IXFXK-080E	245 kV	80	80	90	127	160	20
IXFXK-112B	245 kV	100	100	110	100	100	20
IXFXK-120E	420 kV	120	120	130	200	100	25
IXFXK-120F	420 kV	120	120	130	200	100	25
IXFXK-124E	420 kV	120	120	130	100	100	25
IXFXK-160E	420 kV	160	160	130	200	100	25
IXFXK-200F	420 kV	200	200	180	200	100	17
IXFXK-220F	420 kV	220	220	210	200	100	25
IXFXK-251E	550 kV	250	250	235	200	100	35
IXFXK-253E	420 kV	250	250	225	200	100	25

*) please specify exact diameter in case of order

Al-Busbar expansion support coupler straight with baseplate (PI)



Article No.	Voltage	ØA *)	ØB *)	Height H	ØD	Diameter K	Flange-thickness I
IXOXK-050B	245 kV	50	50	65	120	14	12
IXOXK-063B	245 kV	60-63	50	90	120	14	12
IXOXK-064B	245 kV	63	63	90	120	14	12
IXOXK-065C	245 kV	60	60	90	127	18	12
IXOXK-070C	245 kV	70	70	90	127	18	12
IXOXK-079C	245 kV	80	80	90	120	14	12
IXOXK-080C	245 kV	80	80	90	120	14	10
IXOXK-081C	245 kV	80	80	90	127	18	10
IXOXK-082C	245 kV	80	80	100	120	14	12
IXOXK-082E	245 kV	80	80	100	120	14	12
IXOXK-083B	245 kV	80	80	100	76	14	12
IXOXK-083E	245 kV	80	80	100	76	14	12
IXOXK-084B	245 kV	80	80	90	127	18	12
IXOXK-084C	245 kV	80	80	90	127	18	12
IXOXK-085C	245 kV	80	80	90	-	-	15
IXOXK-086E	245 kV	80	80	90	127	18	12
IXOXK-087B	245 kV	80	80	100	225	18	12
IXOXK-088C	245 kV	88,9	88,9	105	76	14	12
IXOXK-089E	245 kV	80	80	90	120	14	12
IXOXK-090C	245 kV	90	90	105	76	14	12
IXOXK-091E	420 kV	80	80	90	127	18	12

*) please specify exact diameter in case of order

Al-Busbar expansion support coupler straight with baseplate (PI)

Article No.	Voltage	ØA *)	ØB *)	Height H	ØD	Drilling-diameter K	Flange-thickness I
IXOXK-092E	420 kV	80	80	102	225	18	12
IXOXK-093C	245 kV	88,9	88,9	105	127	18	12
IXOXK-094C	245 kV	88,9	88,9	105	76	14	12
IXOXK-100B	245 kV	100	100	110	127	18	12
IXOXK-100C	245 kV	100	100	100	127	18	12
IXOXK-100CU	245 kV	100	100	110	127	18	12
IXOXK-100E	245 kV	100	100	100	127	18	12
IXOXK-100F	245 kV	100	100	100	127	18	12
IXOXK-101C	245 kV	100	100	100	127	18	12
IXOXK-101CU	245 kV	100	100	110	76	14	12
IXOXK-102E	245 kV	100	100	100	120	14	12
IXOXK-115B	245 kV	114-120	114-120	130	127	18	12
IXOXK-117E	420 kV	120	120	130	127	18	12
IXOXK-118C	420 kV	120	120	130	260	18	12
IXOXK-119C	245 kV	120	120	90	120	14	15
IXOXK-120C	420 kV	120	120	130	127	18	12
IXOXK-120E	420 kV	120	120	130	127	18	12
IXOXK-120F	420 kV	120	120	130	127	18	12
IXOXK-121C	245 kV	120	120	90	127	18	15
IXOXK-122C	420 kV	114-120	114-120	130	225	18	15
IXOXK-122E	420 kV	114-120	114-120	130	225	18	15
IXOXK-123E	420 kV	120	120	130	120	14	15
IXOXK-123F	420 kV	120	120	130	120	14	15
IXOXK-124C	550 kV	120	120	130	225	18	12
IXOXK-124F	550 kV	120	120	130	225	18	12
IXOXK-125C	245 kV	125	125	115	127	18	12
IXOXK-125F	420 kV	125	125	115	127	18	12
IXOXK-126C	420 kV	125	125	130	127	18	12
IXOXK-127C	420 kV	125	125	130	127	18	12
IXOXK-128C	245 kV	114-120	114-120	130	76	14	12
IXOXK-128E	420 kV	114-120	114-120	130	76	14	12
IXOXK-129C	245 kV	114-120	114-120	130	76	14	12
IXOXK-130C	420 kV	125	125	130	127	18	12
IXOXK-131C	245 kV	120	120	130	127	18	12
IXOXK-132E	245 kV	120	120	130	110	14	12
IXOXK-133F	420 kV	120	120	130	-	-	12
IXOXK-134C	420 kV	120	120	130	127	18	12
IXOXK-138C	420 kV	125	125	130	127	18	12
IXOXK-141F	550 kV	140-141,3	140-141,3	140	127	18	15
IXOXK-142F	550 kV	140-141,3	140-141,3	140	76	14	15
IXOXK-143C	550 kV	140-141,3	140-141,3	140	127	18	12
IXOXK-143E	550 kV	140-141,3	140-141,3	140	127	18	12
IXOXK-143F	420 kV	140-141,3	140-141,3	140	127	18	12

*) please specify exact diameter in case of order

Al-Busbar expansion support coupler straight with baseplate (PI)

Article No.	Voltage	ØA *)	ØB *)	Height H	ØD	Drilling-diameter K	Flange-thickness I
IXOXK-144E	550 kV	140-141,3	140-141,3	140	225	18	12
IXOXK-145E	550 kV	140-141,3	140-141,3	140	225	18	12
IXOXK-146E	550 kV	140-141,3	140-141,3	140	127	18	12
IXOXK-150C	420 kV	150	150	130	127	18	12
IXOXK-151C	420 kV	150	150	125	127	18	12
IXOXK-152B	420 kV	150	150	150	127	18	12
IXOXK-153C	420 kV	150	150	150	127	18	12
IXOXK-159C	550 kV	160	160	127	225	18	10
IXOXK-160E	550 kV	160	160	130	225	18	15
IXOXK-161C	420 kV	160	160	140	127	18	15
IXOXK-161D	420 kV	160	160	140	127	18	15
IXOXK-161E	420 kV	160	160	130	127	18	15
IXOXK-162G	420 kV	160	160	130	127	18	15
IXOXK-163G	550 kV	160	160	150	127	18	40
IXOXK-164G	550 kV	160	160	150	225	18	40
IXOXK-165B	245 kV	160	160	130	127	18	15
IXOXK-165C	245 kV	160	160	130	127	18	15
IXOXK-166C	420 kV	160	160	150	127	18	15
IXOXK-167E	420 kV	160	160	130	225	18	15
IXOXK-167F	420 kV	160	160	130	225	18	15
IXOXK-168B	420 kV	160	160	150	127	18	12
IXOXK-168D	550 kV	160	160	150	127	18	12
IXOXK-168F	550 kV	160	160	150	127	18	12
IXOXK-169E	550 kV	160	160	150	127	18	12
IXOXK-170C	420 kV	168	168	150	127	18	12
IXOXK-171E	420 kV	160	160	150	294	18	12
IXOXK-172E	550 kV	168	168	150	225	18	12
IXOXK-173E	245 kV	160	160	150	120	14	15
IXOXK-174E	420 kV	160	160	150	254	18	12
IXOXK-175E	420 kV	160	160	150	225	18	12
IXOXK-176C	420 kV	160	160	150	225	18	12
IXOXK-177F	550 kV	160	160	150	127	18	12
IXOXK-200F	420 kV	200	200	180	225	18	17
IXOXK-201E	420 kV	200	200	180	127	18	15
IXOXK-201F	420 kV	200	200	180	127	18	17
IXOXK-202E	420 kV	200	200	175	127	18	15
IXOXK-203C	420 kV	200	200	180	225	18	12
IXOXK-203E	550 kV	200	200	180	225	18	12
IXOXK-204D	420 kV	200	200	180	225	18	12
IXOXK-204E	420 kV	200	200	170	225	18	12
IXOXK-205D	420 kV	200	200	175	76	14	12
IXOXK-206E	245 kV	200	200	180	120	18	15
IXOXK-207C	550 kV	200	200	180	127	18	12

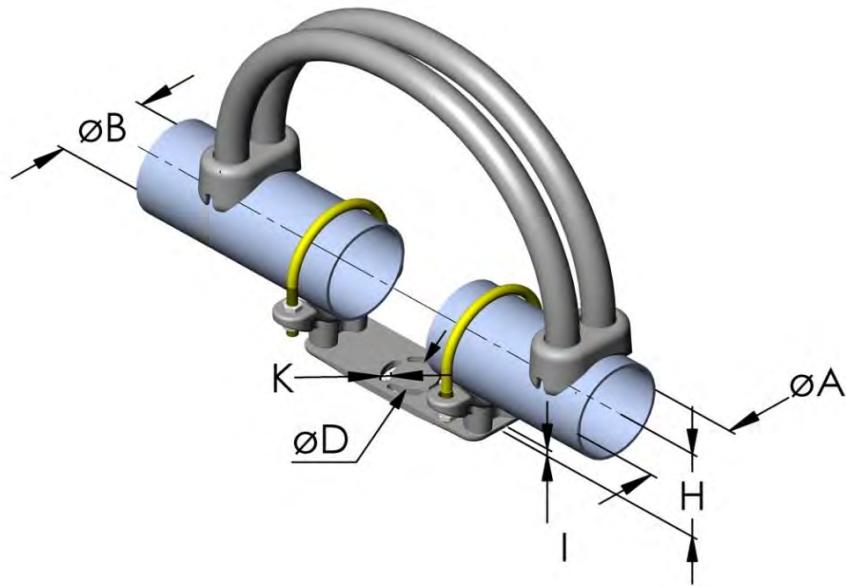
*) please specify exact diameter in case of order

Al-Busbar expansion support coupler straight with baseplate (PI)

Article No.	Voltage	ØA *)	ØB *)	Height H	ØD	Drilling-diameter K	Flange-thickness I
IXOXK-207F	550 kV	200	200	180	127	18	12
IXOXK-208F	550 kV	200	200	165	225	18	12
IXOXK-220F	420 kV	220	220	210	225	18	12
IXOXK-221E	550 kV	220	220	210	127	18	12
IXOXK-222E	420 kV	220	220	185	225	18	12
IXOXK-247B	420 kV	250	250	225	325	18	15
IXOXK-248C	420 kV	250	250	225	325	18	15
IXOXK-249C	420 kV	250	250	225	300	18	15
IXOXK-250C	550 kV	250	250	225	225	18	12
IXOXK-250E	550 kV	250	250	225	225	18	15
IXOXK-251F	550 kV	250	250	225	225	18	15
IXOXK-252C	420 kV	250	250	225	225	18	15
IXOXK-252F	550 kV	250	250	225	225	18	15
IXOXK-253F	420 kV	250	250	225	225	18	15
IXOXK-254F	420 kV	250	250	225	225	18	15
IXOXK-255D	420 kV	250	250	225	127	18	15
IXOXK-255E	420 kV	250	250	225	127	18	15
IXOXK-255F	420 kV	250	250	225	127	18	15
IXOXK-256F	420 kV	250	250	225	127	18	15
IXOXK-257F	420 kV	250	250	225	225	18	15
IXOXK-258E	420 kV	250	250	225	225	18	15
IXOXK-260E	420 kV	250	250	225	127	18	15
IXOXK-261F	420 kV	250	250	225	254	18	15
IXOXK-263F	420 kV	250	250	225	225	18	15
IXOXK-264E	550 kV	250	250	225	254	18	15
IXOXK-265F	420 kV	250	250	225	225	18	15
IXOXK-266C	420 kV	250	250	225	225	18	12
IXOXK-266E	420 kV	250	250	225	225	18	12
IXOXK-267F	420 kV	250	250	225	127	18	12
IXOXK-269C	420 kV	250	250	225	127	18	15
IXOXK-271F	420 kV	250	250	250	225	18	12

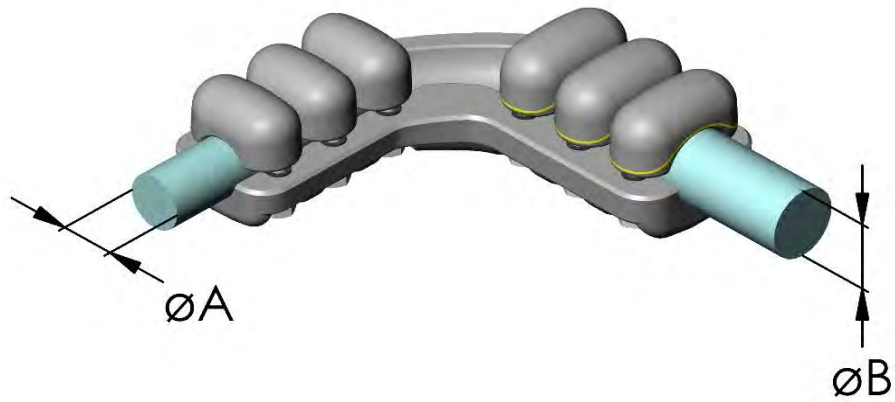
*) please specify exact diameter in case of order

Al-Straight busbar expansion support coupler welded with baseplate (PI)



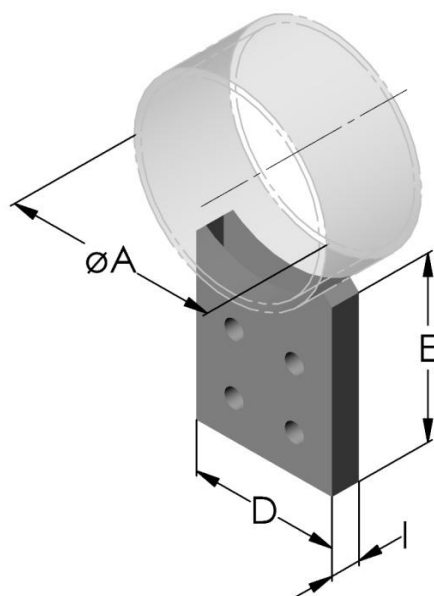
Article No.	Voltage	ØA *)	ØB *)	Height H	ØD	Diameter K	Flange-thickness I
IXOXW-089C	420 kV	88,9	88,9	105	127	18	12
IXOXW-090C	420 kV	88,9	88,9	105	76	14	12
IXOXW-141F	550 kV	140-141,3	140-141,3	140	127	18	12
IXOXW-142F	550 kV	140-141,3	140-141,3	140	127	18	12
IXOXW-143F	550 kV	141,3	141,3	140	76	14	12
IXOXW-144C	550 kV	141,3	141,3	140	127	18	12
IXOXW-145C	550 kV	141,3	141,3	140	127	18	12
IXOXW-168C	420 kV	168	168	150	127	18	12
IXOXW-200E	245 kV	200	200	180	120	18	15
IXOXW-301E	420 kV	300	300	250	127	18	15
IXOXW-302E	420 kV	300	300	250	127	18	15

*) please specify exact diameter in case of order



Article No.	Voltage	ØA *)	Covers A	ØB *)	Covers B
L11K-030	245 kV	29,0-33,0	3	40,0-42,0	3
L11K-031	245 kV	22,0-32,0	2	5,0-16,0	2
L11K-032	245 kV	16,0-22,0	3	30,0-32,0	2
L11K-033	245 kV	28,5-33,8	2	20,3-33,8	3
L11K-034	245 kV	40,0-42,0	2	30,0-32,0	2
L11K-120	420 kV	114,3-120	2	60,0-63,0	2

*) please specify exact diameter in case of order

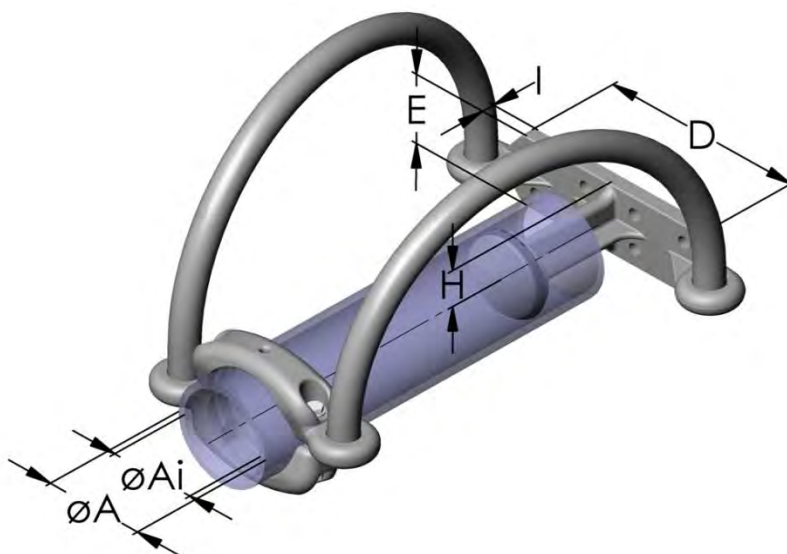


Article No.	Voltage	ØA *)	Flat terminal		
			D	E	I
LFW-120	145 kV	120	125	165	35
LFW-141	245 kV	141,3	125	80	25
LFW-142	245 kV	141	125	125	20
LFW-165	145 kV	160	125	125	25
LFW-225	145 kV	200	125	125	40

*) please specify exact diameter in case of order

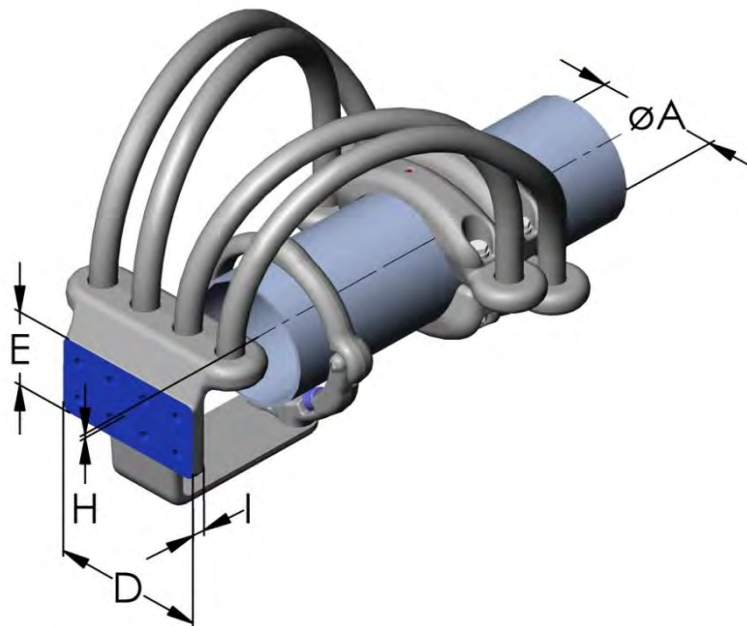
AI-90° expansion central flat terminal

Tube sliding, angular movable



Article No.	Voltage	ØA *)	ØAi *)	Height H	D	Flat terminal	
						E	I
LXFK-102C	420 kV	100	88	0	200	100	25
LXFK-106E	420 kV	100	80	0	100	100	24
LXFK-114F	550 kV	114,3-120	94,3-96	0	200	100	25
LXFK-125D	550 kV	120	104-114,0	0	100	200	25
LXFK-141F	550 kV	140-141,5	122,2	-64	100	100	25
LXFK-142E	550 kV	140-141,5	125-130	140	125	125	25
LXFK-143F	550 kV	140-141,5	125-130	194	125	125	25
LXFK-144E	550 kV	140-141,5	122,2	0	300	100	20
LXFK-168C	420 kV	168	148-160	0	200	100	25

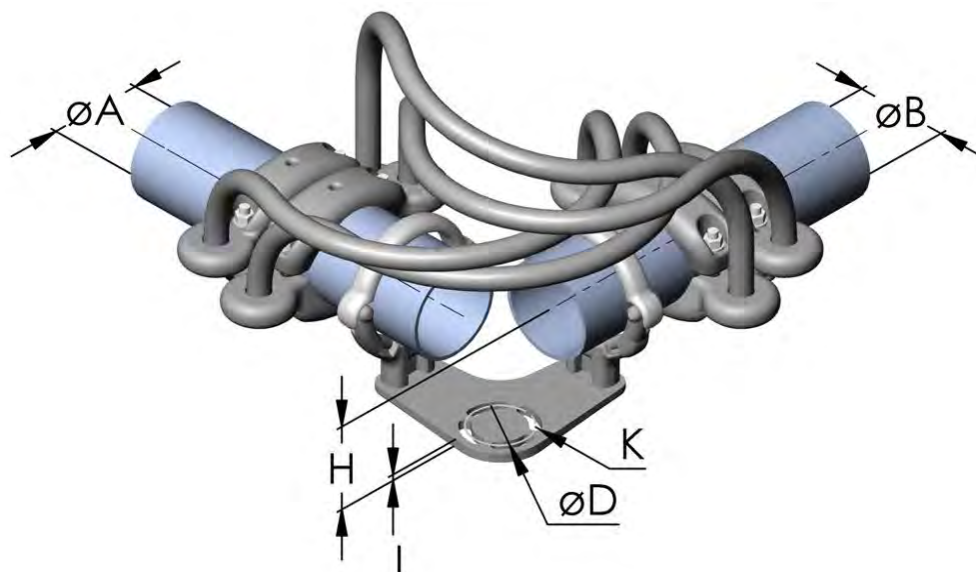
*) please specify exact diameter in case of order



Article No.	Voltage	ØA *)	Height H	Flat terminal		
				D	E	I
LXFK-063C	145 kV	60,0-63,0	90	100	100	20
LXFK-107F	420 kV	100,0	0	125	125	25
LXFK-160E	420 kV	160,0	130	200	100	25
LXFK-160F	420 kV	160,0	130	200	100	25
LXFK-162D	420 kV	160,0	130	125	125	25
LXFK-162F	420 kV	160,0	130	125	125	25
LXFK-170C	550 kV	160,0	130	200	100	35
LXFK-250E	550 kV	250,0	215	200	100	15
LXFK-250F	550 kV	250,0	215	200	100	15

*) please specify exact diameter in case of order

Al-90° busbar expansion support coupler with baseplate



Article No.	Voltage	ØA *)	ØB *)	Height H	ØD	Diameter K	Flange-thickness I
LXOXK-064C	245 kV	60-63	60-63	90	76	14	15
LXOXK-079C	245 kV	80	80	90	120	14	12
LXOXK-080E	245 kV	80	80	100	120	14	12
LXOXK-081E	245 kV	80	80	100	76	14	15
LXOXK-100B	245 kV	100	100	110	127	18	12
LXOXK-100F	420 kV	100	100	100	127	18	12
LXOXK-113C	245 kV	114	114	130	127	18	12
LXOXK-114F	550 kV	114,3-120	114,3-120	130	225	18	15
LXOXK-121E	245 kV	120	120	130	127	18	12
LXOXK-160E	550 kV	160	160	160	127	18	15
LXOXK-161C	145 kV	160	160	130	127	18	15
LXOXK-162C	420 kV	160	160	130	127	18	15
LXOXK-163C	420 kV	160	160	150	127	18	15
LXOXK-164F	420 kV	160	160	130	225	18	15
LXOXK-165E	550 kV	160	160	150	127	18	12
LXOXK-166C	145 kV	160	160	150	127	18	12
LXOXK-167E	420 kV	160	160	150	254	18	12
LXOXK-168E	420 kV	160	160	150	254	18	12
LXOXK-169C	145 kV	160	160	150	254	18	12
LXOXK-200E	550 kV	200	200	175	225	18	15

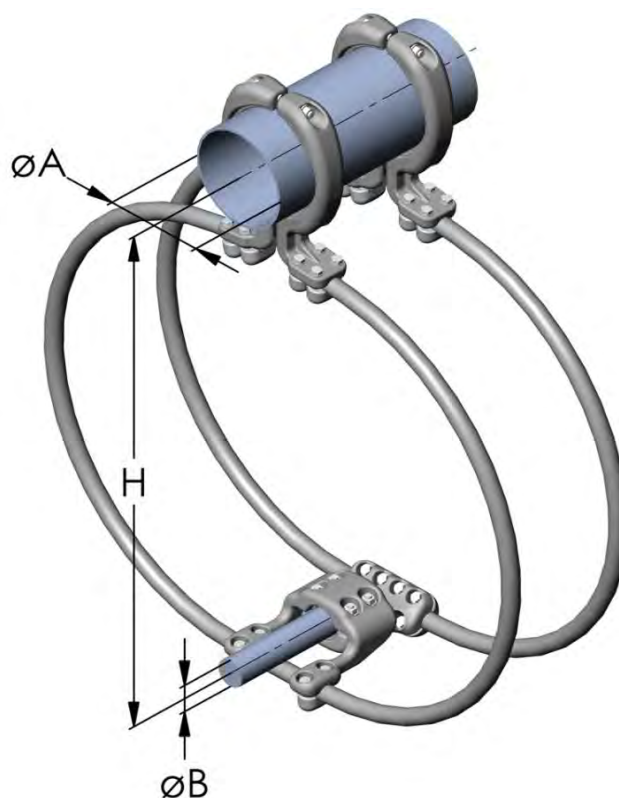
*) please specify exact diameter in case of order

AI-90° busbar expansion support coupler with baseplate

Article No.	Voltage	ØA *)	ØB *)	Height H	ØD	Drilling-diameter K	Flange-thickness I
LXOXK-201E	145 kV	200	200	177	140	14	12
LXOXK-203E	420 kV	200	200	180	127	18	15
LXOXK-204F	420 kV	200	200	165	225	18	12
LXOXK-220F	420 kV	220	220	225	225	18	15
LXOXK-252E	550 kV	250	250	225	225	18	15
LXOXK-253E	550 kV	250	250	225	254	18	15

*) please specify exact diameter in case of order

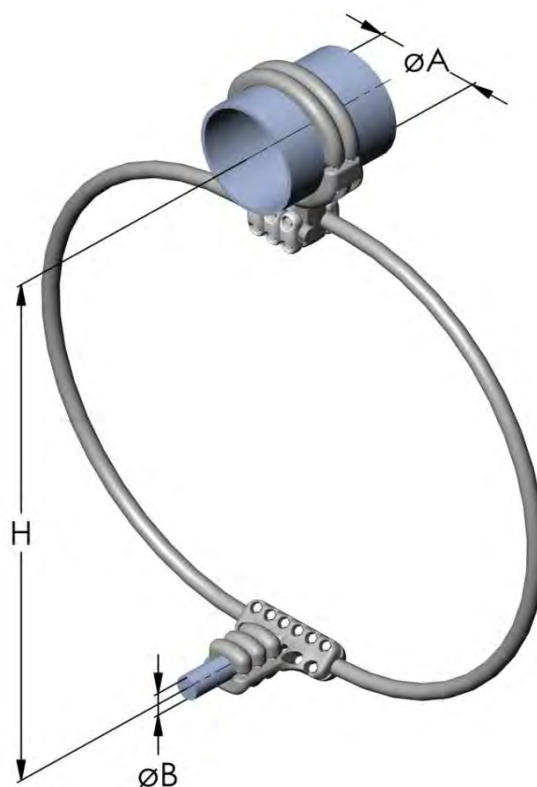
Al-Double conductor ring for pantograph countercontact



Article No.	Voltage	ØA *)	ØB *)	Height H
NJJK-200L	550 kV	190	54-63	1045
NJJK-201L	550 kV	190-200	54-63	930
NJJK-220L	550 kV	220	54-63	1150
NJJK-251L	550 kV	250-255	54-63	910

*) please specify exact diameter in case of order

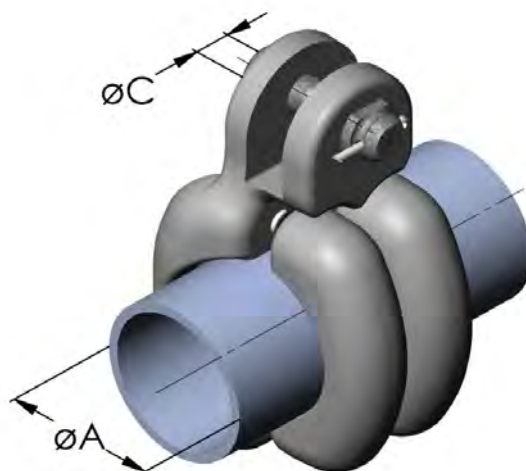
Al-Conductor ring for pantograph countercontact



Article No.	Voltage	ØA *)	ØB *)	Height H
NJK-100M	420 kV	90-100	52-63	625
NJK-101M	420 kV	90-100	52-63	725
NJK-120L	145 kV	120-125	52-65	600
NJK-121M	420 kV	120-125	52-63	715
NJK-122M	420 kV	114-125	52-63	945
NJK-123M	420 kV	114-125	54-63	775
NJK-160L	420 kV	160	-	750
NJK-161L	420 kV	168,2	-	750
NJK-201L	420 kV	200	-	750
NJK-220L	420 kV	220	54-63	760
NJK-250L	420 kV	250-255	-	910
NJK-255L	420 kV	250	54-63	760
NJK-262L	420 kV	250	54-63	950

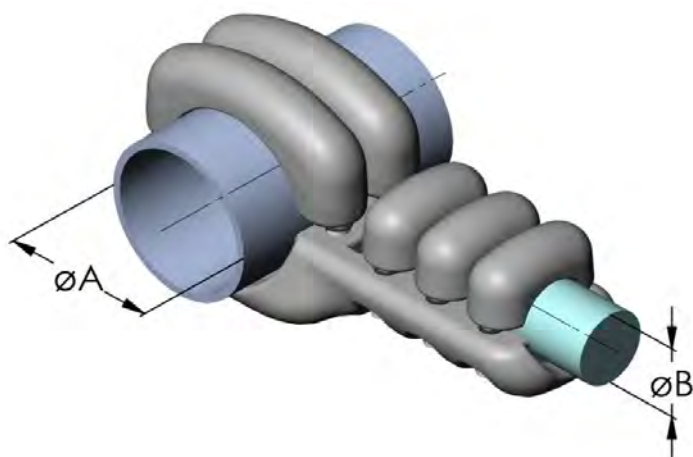
*) please specify exact diameter in case of order

AI-Suspension connector for single conductor



Article No.	Voltage	$\varnothing A$ *)	Covers A	$\varnothing C$
SI1K-027	245 kV	20,0-27,5	1	19
SI1K-032	245 kV	25,0-33,0	2	19
SI1K-042	420 kV	30,0-44,0	2	19
SI1K-080	420 kV	80	2	19
SI1K-100	420 kV	100	2	19
SI1K-120	420 kV	120	2	19
SI1K-141	420 kV	140-141,3	2	19
SI1K-160	245 kV	160	2	19
SI1K-200	245 kV	200	2	19

*) please specify exact diameter in case of order



Article No.	Voltage	ØA *)	Covers A	ØB *)	Covers B
T11K-013	145 kV	9,0-16,3	2	40,0-54,8	2
T11K-017	245 kV	9,0-16,3	2	16,3-24,5	2
T11K-018	245 kV	5,0-16,0	2	22,0-32,0	2
T11K-021	245 kV	16,0-22,0	2	22,0-32,0	2
T11K-022A	245 kV	16,3-24,5	2	16,3-24,5	2
T11K-022B	245 kV	16,3-24,5	2	16,3-24,5	2
T11K-022C	245 kV	16,3-24,5	2	16,3-24,5	2
T11K-023	245 kV	16,3-24,5	3	16,3-24,5	3
T11K-024	245 kV	16,0-22,0	3	20,0-32,0	2
T11K-025	245 kV	16,0-22,0	3	40,0-50,0	2
T11K-026	145 kV	30,0-42,0	2	30,0-42,0	3
T11K-027	245 kV	22,0-32,0	2	16,0-22,0	2
T11K-028	245 kV	20,0-33,0	2	30,0-42,0	2
T11K-029	420 kV	20,0-32,0	2	20,0-32,0	2
T11K-030	420 kV	22,0-32,0	3	22,0-32,0	2
T11K-031	245 kV	22,0-32,0	2	30,0-40,0	3
T11K-032A	245 kV	20,3-32,6	2	20,3-32,6	2
T11K-032B	245 kV	20,3-32,6	2	20,3-32,6	2
T11K-032C	245 kV	19,0-32,6	2	19,0-32,6	2
T11K-033	245 kV	20,0-32,0	3	20,0-32,0	3
T11K-034	245 kV	20,0-32,0	3	20,0-32,0	2

*) please specify exact diameter in case of order

Article No.	Voltage	ØA *)	Covers A	ØB *)	Covers B
T11K-035	420 kV	20,0-32,0	3	20,0-32,0	3
T11K-036	245 kV	22,0-32,0	3	40,0-50,0	2
T11K-037	245 kV	22,0-32,0	3	30,0-42,0	3
T11K-038	245 kV	22,0-32,0	3	30,0-40,0	2
T11K-039	245 kV	22,0-33,0	2	60-63	2
T11K-040	245 kV	30,0-42,0	3	30,0-42,0	3
T11K-040A	245 kV	30,0-42,0	3	30,0-42,0	3
T11K-040B	245 kV	30,0-42,0	3	30,0-42,0	3
T11K-040C	245 kV	30,0-42,0	3	30,0-42,0	3
T11K-041	550 kV	20,0-32,0	3	20,0-32,0	3
T11K-042	245 kV	30,0-40,0	2	16,0-22,0	2
T11K-043	245 kV	30,0-42,0	3	22,0-32,0	2
T11K-044	550 kV	30,0-42,0	3	20,0-32,0	3
T11K-046	420 kV	46,3	3	46,3	3
T11K-047	245 kV	30,0-42,0	3	30,0-42,0	2
T11K-047A	245 kV	30,0-42,0	3	30,0-42,0	2
T11K-047B	245 kV	30,0-42,0	3	30,0-42,0	2
T11K-047C	245 kV	30,0-42,0	3	30,0-42,0	2
T11K-048	245 kV	30,0-40,0	2	22,0-33,0	2
T11K-049	245 kV	30,0-42,0	3	60-63	2
T11K-050	420 kV	30,0-50,0	3	30,0-50,0	3
T11K-051	245 kV	40,0-50,0	2	20,0-32,0	3
T11K-052	245 kV	50	2	30,0-32,0	2
T11K-053	245 kV	50	2	30,0	2
T11K-054	245 kV	40,0-52,0	3	30,0-42,0	4
T11K-055	245 kV	50	2	50,0	2
T11K-056	245 kV	30,0-42,0	4	30,0-42,0	4
T11K-057	420 kV	30,0-42,0	3	30,0-42,0	3
T11K-058	245 kV	22,0-32,0	2	50,0-52,0	2
T11K-059	245 kV	60-63	1	12,0-22,0	2
T11K-060	245 kV	60-63	2	22,0-32,0	2
T11K-061	420 kV	30,0-42,0	3	30,0-42,0	3
T11K-062	245 kV	43,2	3	22,0-32,0	3
T11K-063	245 kV	60-63	2	22,0-32,0	3
T11K-064	245 kV	60-63	2	30,0-42,0	2
T11K-065	245 kV	60-63	2	40,0-52,0	3
T11K-066	245 kV	60-63	2	60-63	2
T11K-067	245 kV	60-63	2	40,0-52,0	3
T11K-070	245 kV	30,0-42,0	4	60-63	2
T11K-071	245 kV	30,0-42,0	3	30,0-42,0	3
T11K-073	550 kV	30,0-42,0	2	20,3-33,6	2
T11K-075	245 kV	30,0-42,0	2	30,0-42,0	2
T11K-078	245 kV	30,6-32,6	3	54,0-63,0	2

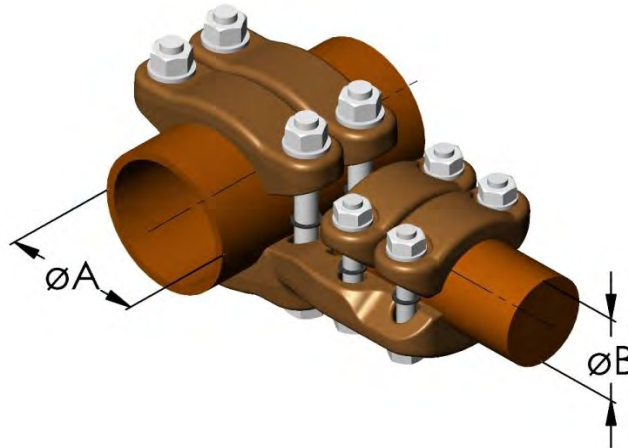
*) please specify exact diameter in case of order

Article No.	Voltage	ØA *)	Covers A	ØB *)	Covers B
T11K-079	550 kV	30,0-42,0	2	30,0-42,0	2
T11K-080	245 kV	70-80	2	70,0-80,0	2
T11K-081	245 kV	80	2	26,0-33,0	2
T11K-082	245 kV	80	2	20,0-32,0	3
T11K-083	245 kV	80	2	30,0-40,0	3
T11K-084	245 kV	70-80	2	30,0-42,0	2
T11K-085	245 kV	80	2	50,0	2
T11K-086	245 kV	80	2	60-63	2
T11K-087	420 kV	40,0-52,0	3	30,0-32,0	2
T11K-089	245 kV	80	2	50,0	2
T11K-090	245 kV	80	2	20,3-33,8	3
T11K-092	420 kV	30,0-42,0	4	30,0-42,0	4
T11K-093	420 kV	80	2	60-63	3
T11K-100	245 kV	100	1	22,0-32,0	2
T11K-101	245 kV	100	2	22,0-32,0	3
T11K-102	245 kV	100	1	16,0-22,0	2
T11K-103	245 kV	100	2	22,0-33,0	2
T11K-104	245 kV	88-100	2	30,0-40,0	3
T11K-105	245 kV	88-100	2	30,0-40,0	2
T11K-106	245 kV	100	2	160,0	2
T11K-107	245 kV	100	2	30,0-40,0	4
T11K-108	245 kV	100	3	100,0	3
T11K-111	420 kV	90-100	2	45,5-46,5	3
T11K-112	420 kV	40,0-54,8	3	100,0	2
T11K-113	420 kV	100	2	30,0-42,0	3
T11K-114	420 kV	100	2	30,0-40,0	4
T11K-119	420 kV	120-125	2	28,5-44,0	3
T11K-120	245 kV	120-125	2	20,0-33,0	3
T11K-122	420 kV	114,3-120,0	2	30,0-42,0	3
T11K-123	245 kV	120	2	30,0-42,0	3
T11K-124	245 kV	114,0-125,0	2	30,0-42,0	3
T11K-125	245 kV	120-125	2	40,0-50,0	2
T11K-126	245 kV	120	2	60-63	2
T11K-127	420 kV	125	2	50,0	2
T11K-128	420 kV	114-120	2	114,0-120,0	2
T11K-129	420 kV	120	1	28,5-33,0	2
T11K-131	420 kV	120	1	120,0	1
T11K-132	420 kV	120	1	45,5-54,8	2
T11K-133	420 kV	120	1	120,0	1
T11K-141	550 kV	140-141,3	2	60-63	2
T11K-142	550 kV	140-141,3	2	30,0-42,0	2
T11K-143	550 kV	140-141,3	2	30,0-42,0	2
T11K-150	420 kV	140-160	2	40-62	3

*) please specify exact diameter in case of order

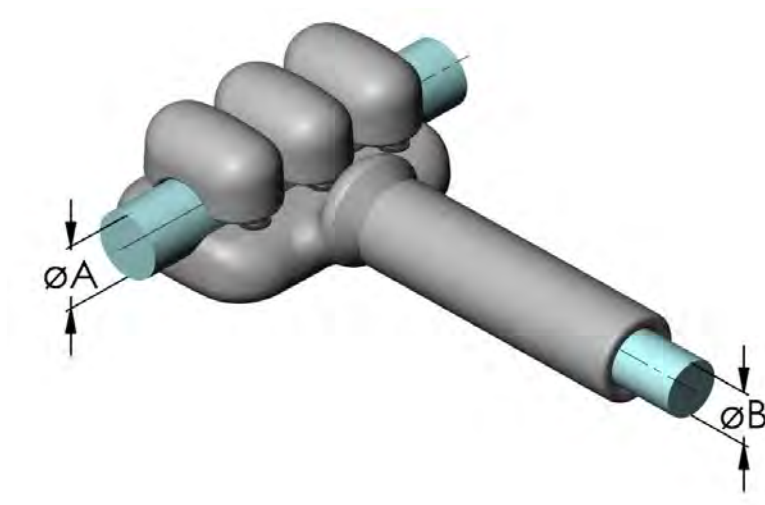
Article No.	Voltage	ØA *)	Covers A	ØB *)	Covers B
T11K-151	420 kV	150-160	2	28,5-44,0	4
T11K-152	420 kV	150-160	2	150-160	2
T11K-160	550 kV	160	3	160	3
T11K-163	550 kV	160	2	40-62	3
T11K-164	245 kV	160	1	24,5-42,0	2
T11K-165	420 kV	140	2	30,0-42,0	3
T11K-166	550 kV	160	2	40-62	3
T11K-167	245 kV	160	2	30,0-42,0	3
T11K-168	420 kV	160	2	30,0-42,0	3
T11K-170	245 kV	150-160	1	16,3-24,5	2
T11K-195	420 kV	190	1	50	2
T11K-200	550 kV	200	3	200	3
T11K-204	550 kV	200	2	30,0-43,0	3
T11K-205	245 kV	200	2	22,0-33,0	3
T11K-206	550 kV	200	2	30,0-62,0	3
T11K-250	420 kV	250	3	250	3
T11K-253	420 kV	250	1	20,3-33,8	2
T11K-254	420 kV	250	2	30,0-42,0	3
T11K-255	420 kV	250	2	114,3-120,0	2
T11K-256	550 kV	250	2	40-62	3
T11K-301	145 kV	300	2	28,5-44,8	2
T11K-363	420 kV	63	1	63	1
T11K-365	420 kV	50-62	2	30,0-42,0	3
T11K-370	245 kV	70-88,9	2	18,3-33,8	2
T11K-451	245 kV	40,0-55,8	2	30,0-44,0	2
T11K-520	550 kV	120	2	46,0-55,0	3
T11K-530	420 kV	50,0-52,0	2	30,0-44,8	3
T11K-531	550 kV	20,3-33,6	2	30,0-42,0	2
T11K-532	245 kV	18,3-33,0	3	18,3-33,0	3
T11K-533	420 kV	25,8-32,6	2	25,8-32,6	2
T11K-535	420 kV	35,0-42,0	3	35,0-42,0	3
T11K-538	245 kV	28,5-30,6	2	50,0-52,0	2
T11K-542	420 kV	30,0-44,0	3	30,0-44,0	3
T11K-543	420 kV	28,5,0-44,0	3	28,5-44,0	2
T11K-550	420 kV	35,0-44,0	3	50,0-53,0	2
T11K-555	550 kV	46,3-54,8	3	46,3-54,8	3
T11K-556	420 kV	30,0-52,0	3	30,0-52,0	3
T11K-564	420 kV	63	2	41,2-44,0	3

*) please specify exact diameter in case of order



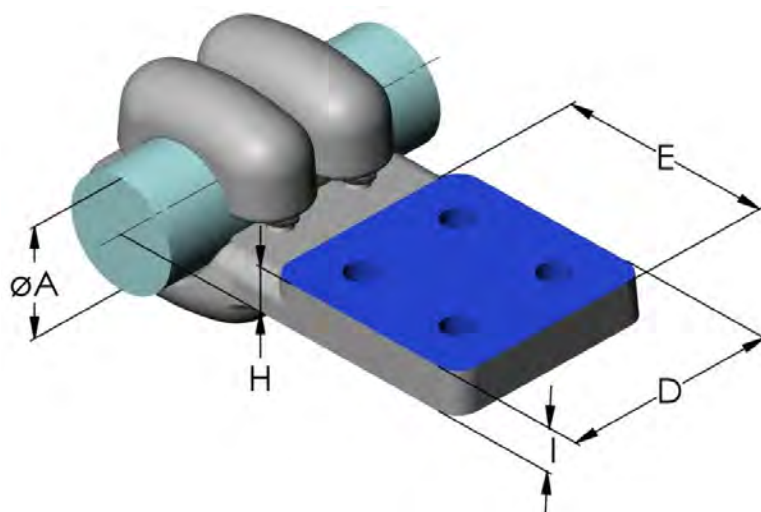
Article No.	Voltage	ØA *)	Covers A	ØB *)	Covers B
T11K-017Cu	245 kV	5,0-14,0	2	14,0-21,0	2
T11K-022Cu	245 kV	14,0-21,0	2	14,0-21,0	2
T11K-023Cu	245 kV	14,0-21,0	2	21,0-30,0	2
T11K-033Cu	245 kV	18,3-30,6	2	18,3-30,6	2
T11K-042Cu	245 kV	30,0-40,0	2	12,5,0-21,0	2
T11K-043Cu	245 kV	30,0-40,0	3	21,0-30,0	3
T11K-052Cu	245 kV	40,0-50,0	2	12,5-21,0	2
T11K-060Cu	245 kV	60	2	21,0-30,0	2
T11K-062Cu	245 kV	60	2	12,5-21,0	2
T11K-076Cu	245 kV	76-80	2	40,0-50,0	2
T11K-099Cu	245 kV	100	1	14,0-21,0	2
T11K-103Cu	245 kV	100	1	21,0-30,0	2
T11K-104Cu	245 kV	100	2	30,0-40,0	3
T11K-524Cu	245 kV	14,3-24,5	2	18,3-30,5	2
T11K-525Cu	245 kV	14,3-24,5	2	40,0-50,0	2
T11K-553Cu	245 kV	40,0-50,0	2	40,0-50,0	2
T11K-560Cu	245 kV	20,2-30,6	3	50-60	2

*) please specify exact diameter in case of order



Article No.	Voltage	ØA *)	Covers A	ØB *)
T11R-031	245 kV	20,0-33,0	3	21,9
T11R-032	550 kV	22,5-32,6	2	31,96
T11R-033	550 kV	32,7-52,0	2	31,96
T11R-034	245 kV	20,0-33,0	3	30,6
T11R-035	245 kV	20,0-33,0	3	32,55
T11R-036	245 kV	35,0-52,0	2	36,9
T11R-037	550 kV	22,5-32,6	2	40,7
T11R-038	550 kV	22,5-32,6	2	46,3
T11R-039	420 kV	30,0-44,0	3	38,25
T11R-040	420 kV	30,0-52,0	2	30,22
T11R-080	420 kV	80	2	31,7
T11R-081	245 kV	80	2	30,22

*) please specify exact diameter in case of order



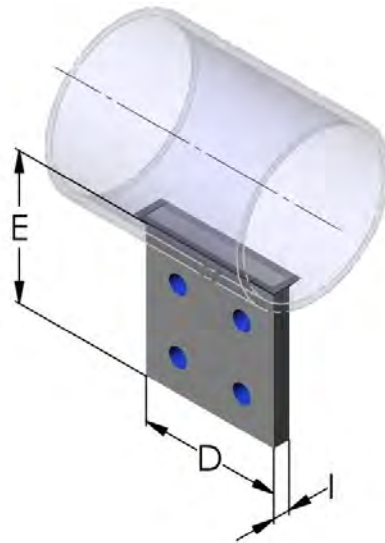
Article No.	Voltage	ØA *)	Covers A	Height H	D	Flat terminal E	I
T1FK-023	245 kV	16,0-22,0	2	0	80	80	12
T1FK-024	245 kV	16,0-24,0	2	0	100	100	12
T1FK-025	245 kV	16,0-24,0	2	0	100	90	12
T1FK-031	245 kV	22,0-33,0	2	0	80	80	12
T1FK-032	245 kV	22,0-33,0	3	0	80	80	12
T1FK-033	245 kV	22,0-32,0	3	32	125	125	14
T1FK-034	245 kV	22,0-33,0	3	50	80	80	14
T1FK-036	245 kV	20,3-33,8	3	40	100	100	16
T1FK-037	420 kV	30,0-44,0	3	40	100	100	15
T1FK-039	245 kV	30,0-40,0	4	0	75	75	20
T1FK-040	245 kV	30,0-40,0	4	0	75	75	20
T1FK-041	245 kV	30,0-42,0	3	0	80	80	20
T1FK-042	245 kV	30,0-42,0	3	0	100	100	15
T1FK-043	420 kV	30,0-40,0	3	70	100	100	15
T1FK-045	245 kV	30,0-42,0	3	40	150	100	13
T1FK-046	420 kV	30,0-44,0	3	43	200	100	15
T1FK-047	420 kV	45,5-46,5	2	0	80	80	15
T1FK-050	420 kV	40,0-52,0	2	0	100	100	20
T1FK-060	245 kV	60-63	2	0	75	75	20
T1FK-081	145 kV	80	2	102	200	100	12
T1FK-082	145 kV	80	2	102	100	100	12

*) please specify exact diameter in case of order

Al-T-Flat terminal connector

Article No.	Voltage	ØA *)	Covers A	Height H	Flat terminal		
					D	E	I
T1FK-083	420 kV	80	2	0	100	100	20
T1FK-100	245 kV	100	2	0	100	100	20
T1FK-101	245 kV	100	2	0	50	50	20
T1FK-102	245 kV	100	2	0	80	80	20
T1FK-120	550 kV	114,3-120	2	0	100	100	25
T1FK-160	550 kV	150-160	2	0	100	100	25
T1FK-161	550 kV	160	2	0	75	100	25
T1FK-162	420 kV	160	1	0	100	100	25
T1FK-250	420 kV	250	2	0	125	125	25
T1FK-536	245 kV	18,3-33,8	3	40	100	100	16

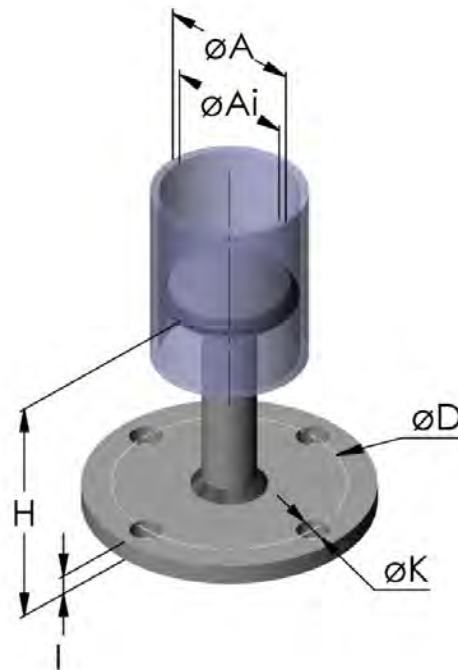
*) please specify exact diameter in case of order



Article No.	Voltage	Flat terminal		
		D	E	I
TFW-075	145 kV	75	75	12
TFW-089	145 kV	110	100	15
TFW-090	145 kV	90	100	12
TFW-100	145 kV	100	100	12
TFW-101	145 kV	100	100	20
TFW-105	245 kV	100	110	15
TFW-106	245 kV	80	100	25
TFW-123	145 kV	125	125	15
TFW-124	145 kV	125	100	25
TFW-125	145 kV	125	125	25
TFW-126	145 kV	125	125	25
TFW-127	145 kV	125	125	35
TFW-128	145 kV	125	125	35
TFW-175	145 kV	125	150	25
TFW-185	145 kV	200	185	15
TFW-200	145 kV	200	115	15

*) please specify exact diameter in case of order

Al-T-Busbar support with baseplate

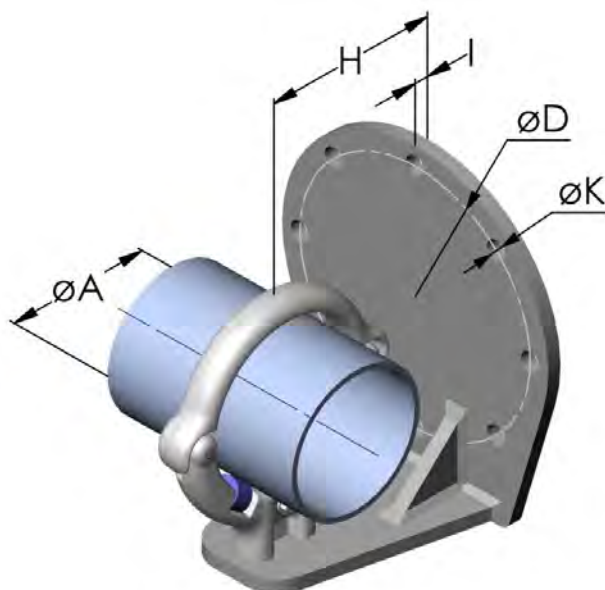


Article No.	Voltage	$\varnothing A$ *)	$\varnothing A_i$ *)	Height H	$\varnothing D$	Drilling-diameter K	Flange-thickness l
TJO-080	420 kV	80	70	140	127	18	12
TJO-100	420 kV	100	88	140	127	18	12
TJO-101	420 kV	100	88	140	225	18	12
TJO-102	420 kV	100	80	140	127	18	12
TJO-103	420 kV	100	80	140	225	18	12
TJO-120	420 kV	114-120	104-110	250	127	18	15

*) please specify exact diameter in case of order

Al-Busbar support for wall mounted (PI)

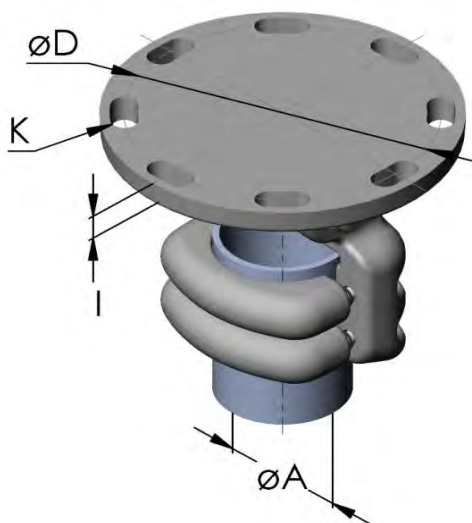
tube run, fix or sliding, angular movable



Article No.	Voltage	ØA *)	Covers A	Height H	ØD	Drilling-diameter K	Flange-thickness I
TJOK-080	245 kV	80	2	102	127	18	12
TJOK-081	420 kV	80	2	102	127	18	12
TJOK-100	245 kV	100	3	110	76	15	10
TJOK-101	145 kV	100	4	110	127	18	10
LJOK-120	245 kV	114-120	1	130	66	14	12
TJOK-140	145 kV	140-141,3	4	180	127	18	12
LJOK-160	145 kV	160	1	150	225	18	12
TJOK-160	245 kV	160	4	170	127	18	15
TJOK-161	245 kV	160	4	170	225	18	15
TJOK-166	145 kV	160	4	160	127	18	12
LJOK-200	145 kV	200	1	190	140	14	12
TJOK-204	145 kV	200	4	190	127	18	12
TJOK-250	145 kV	250	4	200	127	16	12
LJOK-300	245 kV	300	1	250	325	18	12

*) please specify exact diameter in case of order

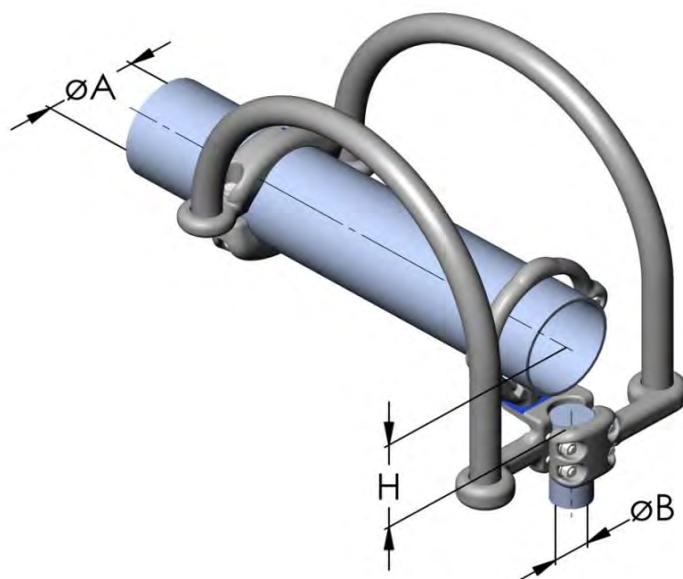
For innerted PI



Article No.	Voltage	ØA *)	Covers A	ØD	Drilling-diameter K	Flange-thickness I
TJOK-102	420 kV	100	2	225	18	20
TJOK-103	420 kV	100	2	127	18	10
TJOK-120	420 kV	114,3-120	2	127	18	10
TJOK-121	420 kV	114,3-120	2	225	18	20
TJOK-123	550 kV	120	2	225	18	12
TJOK-124	420 kV	114,3-120	2	127	18	12
TJOK-162	420 kV	150-160	2	225	18	20

*) please specify exact diameter in case of order

Al-Busbar expansion connector with T-stud



Article No.	Voltage	ØA *)	ØB *)	Height H
TX1K-043C	245 kV	30,0-44,0	30-44	70
TX1K-055B	245 kV	50	30-42	70
TX1K-061B	245 kV	63	30-42	100
TX1K-062B	245 kV	63	30-42	100
TX1K-063C	245 kV	60	30-63	91
TX1K-064C	245 kV	60	30-63	91
TX1K-065B	245 kV	63	30-42	114
TX1K-066B	245 kV	60-63	30-63	90
TX1K-069B	245 kV	70	30-63	180
TX1K-070B	245 kV	70-80	30-42	185
TX1K-071B	245 kV	70	30-42	185
TX1K-080B	245 kV	80	30-44	200
TX1K-080C	245 kV	80	30-44	110
TX1K-084B	420 kV	80	30-63	191
TX1K-084E	245 kV	80	30-63	191
TX1K-100C	245 kV	100	30-63	75
TX1K-101C	420 kV	100	30-63	75
TX1K-101F	420 kV	100	30-63	165
TX1K-103C	245 kV	100	30-42	84
TX1K-104C	245 kV	100	30-42	110
TX1K-105E	420 kV	100	30-63	100
TX1K-107C	420 kV	100	30-63	100

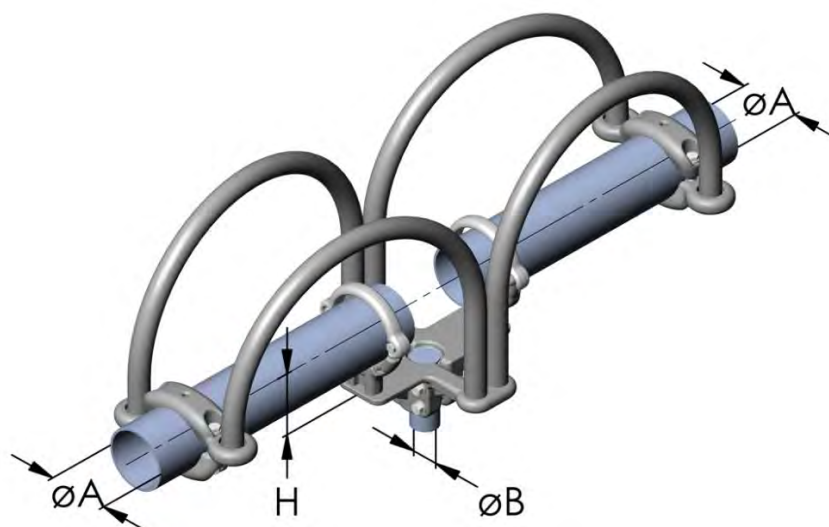
*) please specify exact diameter in case of order

Al-Busbar expansion connector with T-stud

Article No.	Voltage	ØA *)	ØB *)	Height H
TX1K-108F	420 kV	100	30-63	110
TX1K-110B	420 kV	100	60-63	170
TX1K-114B	420 kV	114-120	30-62	203
TX1K-115B	245 kV	114	40-52	203
TX1K-115C	245 kV	114	40-52	203
TX1K-116C	420 kV	114	30-63	219
TX1K-120E	420 kV	114-120	30-62	126
TX1K-121E	420 kV	120	30-62	126
TX1K-122B	420 kV	120	30-63	219
TX1K-122C	420 kV	120	30-63	219
TX1K-122E	420 kV	120	30-63	219
TX1K-125E	420 kV	125	30-62	115
TX1K-141F	550 kV	140-141,5	30-63	142
TX1K-160C	420 kV	160	40-63	150
TX1K-160E	420 kV	160	40-63	126
TX1K-161C	420 kV	160	30-63	115
TX1K-163C	550 kV	160	30-63	130
TX1K-164F	550 kV	160	30-63	115
TX1K-166C	550 kV	160	40-63	221
TX1K-167E	550 kV	160	30-63	216
TX1K-167F	550 kV	160	30-63	211
TX1K-168C	420 kV	168	30-63	120
TX1K-170E	420 kV	160	30-63	250
TX1K-171E	420 kV	160	30-63	270
TX1K-200C	420 kV	200	40-63	141
TX1K-250C	550 kV	250	40-63	221
TX1K-250E	550 kV	250	40-63	221
TX1K-251C	550 kV	250	40-63	221
TX1K-251E	550 kV	250	40-63	221

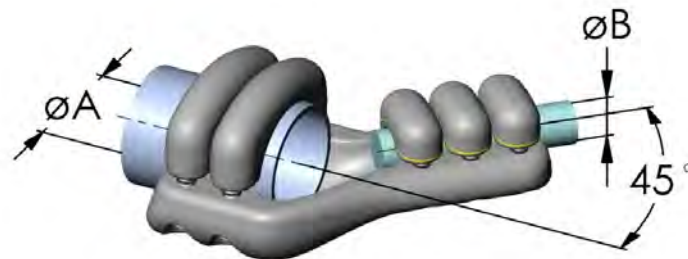
*) please specify exact diameter in case of order

Al-Busbar expansion coupler with T-stud



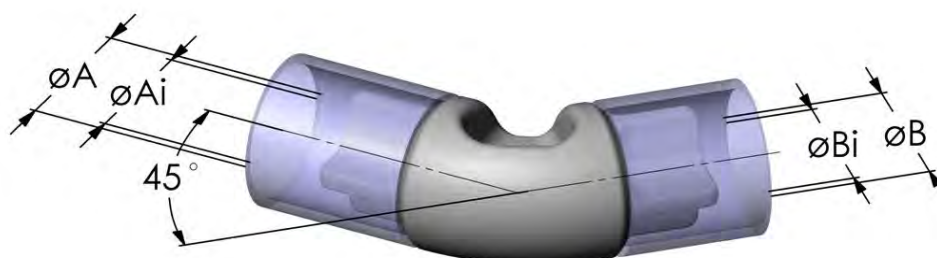
Article No.	Voltage	ØA *)	ØB *)	Height H
TX1XK-062B	245 kV	63	30-42	100
TX1XK-063B	245 kV	63	30-42	100
TX1XK-106B	245 kV	100	40-52	200
TX1XK-114C	245 kV	114	40-52	203
TX1XK-141F	550 kV	140-141,3	30-63	142
TX1XK-142F	550 kV	140-414,3	30-63	232

*) please specify exact diameter in case of order



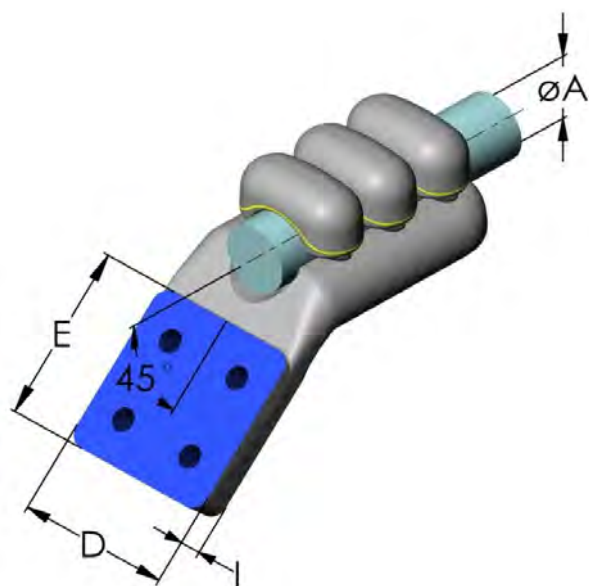
Article No.	Voltage	ØA *)	Covers A	ØB *)	Covers B
V11K-021	245 kV	20,0-22,0	2	9,0-16,0	2
V11K-023	245 kV	16,0-22,0	2	30,0-32,0	2
V11K-031	245 kV	22,0-32,0	2	5,0-16,0	2
V11K-043	245 kV	30,0-42,0	2	20,0-32,0	3
V11K-044	420 kV	30,0-44,0	3	30,0-44,0	3
V11K-052	245 kV	40,0-52,0	2	20,0-33,0	2
V11K-053	245 kV	40,0-52,0	3	30,0-42,0	3
V11K-064	245 kV	60-63	2	30,0-42,0	3
V11K-080	245 kV	80	2	40,0-52,0	2
V11K-083	245 kV	70-80	2	22,0-32,0	2
V11K-100	245 kV	100	2	16,0-24,0	2
V11K-101	420 kV	100	2	100	2
V11K-120	420 kV	120	2	30,0-44,0	3
V11K-161	420 kV	160	2	160	2

*) please specify exact diameter in case of order



Article No.	Voltage	ØA *)	ØAi *)	ØB *)	ØBi *)
V11W-088	420 kV	88,9	77,9	88,9	77,9
V11W-100	245 kV	100	84	100	84
V11W-141	420 kV	141,3	128,2	141,3	128,2
V11W-160	420 kV	160	148	160	148

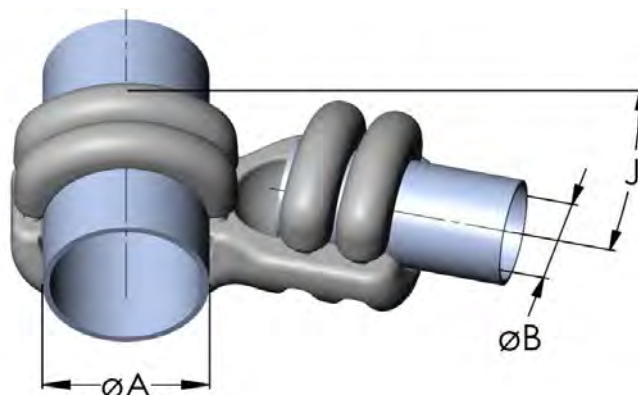
*) please specify exact diameter in case of order



Article No.	Voltage	ØA *)	Covers A	Flat terminal		
				D	E	I
V1FK-022	245 kV	16,0-22,0	3	100	100	12
V1FK-032	245 kV	20,0-32,0	3	100	100	14
V1FK-042	420 kV	30,0-44,0	3	100	100	20
V1FK-044	420 kV	30,0-44,0	4	100	100	20
V1FK-050	245 kV	30,0-54,0	2	100	100	20
V1FK-141	420 kV	141,3	2	125	125	26,5
V1FK-150	420 kV	150	2	125	125	25
V1FK-160	420 kV	160	2	125	125	25
V1FK-168	420 kV	168,2	2	125	125	25

*) please specify exact diameter in case of order

A-Frame bottom

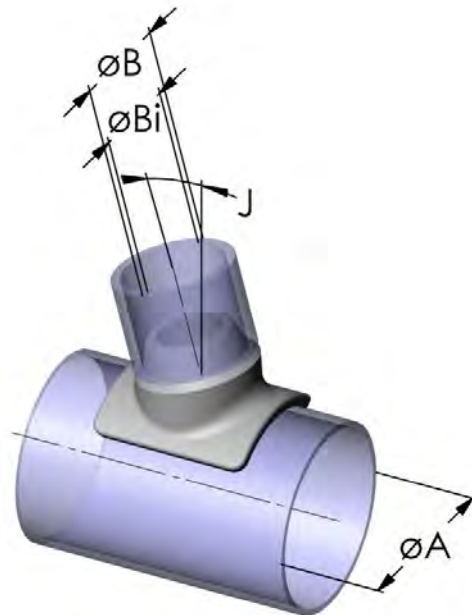


Article No.	Voltage	ØA *)	Covers A	ØB *)	Covers B	Angle J
W11K-036	245 kV	30,0-42,0	2	20,0-33,0	2	60°
W11K-063	245 kV	50-63	2	30,0-42,0	3	30°
W11K-080	420 kV	80	2	80	2	15°
W11K-081	245 kV	80	2	80	2	30°
W11K-100	245 kV	100	2	100	2	15°
W11K-101	420 kV	100	2	100	2	60°
W11K-120	245 kV	120	2	120	2	75°
W11K-123	420 kV	120	2	120	2	75°
W11K-128	420 kV	120	2	80	2	15°
W11K-160	420 kV	160	2	120	2	15°
W11K-161	420 kV	160	2	100	2	15°
W11K-168	420 kV	168	2	100	2	15°
W11K-220	420 kV	220	2	100	2	15°
W11K-250	550 kV	250	2	120	2	15°

*) please specify exact diameter in case of order

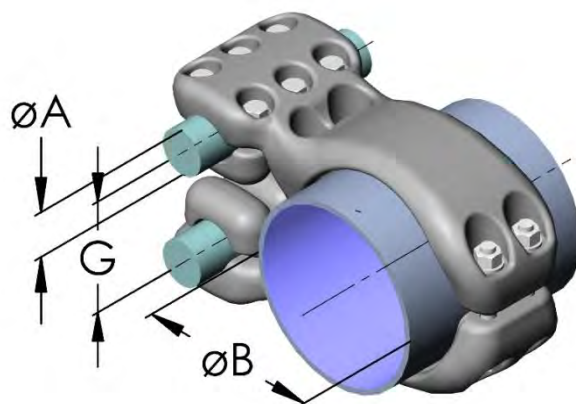
Al-Angle welded coupler

A-Frame bottom



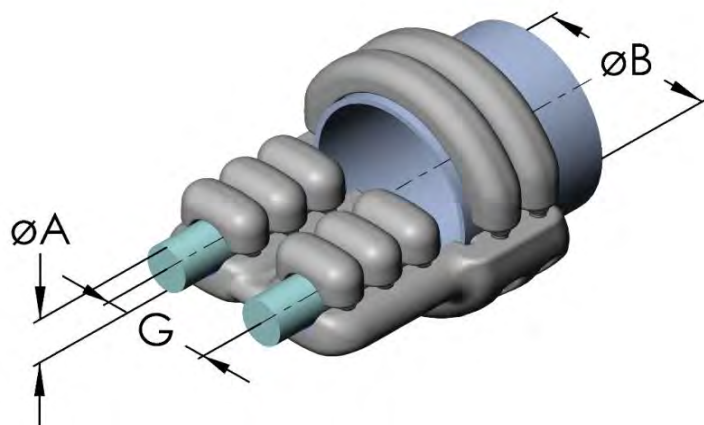
Article No.	Voltage	ØA *)	ØB *)	ØBi *)	Angle J
W11W-060	420 kV	60,3	60,3	-	80°
W11W-086	420 kV	88,9	60,3	-	80°
W11W-088	420 kV	88,9	88,9	-	80°
W11W-100	245 kV	100	63	47	15°
W11W-101	420 kV	100	100	90	15°
W11W-138	550 kV	141,3	88,9	77,94	15°
W11W-139	550 kV	141,3	88,9	77,94	10°
W11W-148	420 kV	141,3	88,9	-	80°
W11W-160	420 kV	160	100	90	15°

*) please specify exact diameter in case of order



Article No.	Voltage	ØA *)	Covers A	ØB *)	Screwpairs B	Bundle-spacing G
H21K-080	245 kV	22,0-32,0	2	80	1	100
H21K-082	420 kV	30,0-42,0	3	80	2	100
H21K-084	245 kV	35,0-44,0	3	80	2	200
H21K-102	420 kV	22,0-33,0	2	100	1	100
H21K-103	420 kV	30,0-43,0	3	100	2	100
H21K-105	420 kV	30,0-42,0	4	100	2	100
H21K-106	420 kV	28,5-44,0	4	100	2	100
H21K-107	420 kV	35,0-44,0	2	100	1	100
H21K-120	550 kV	30,0-42,0	3	114,3-120	2	100
H21K-121	420 kV	30,0-43,2	3	120	2	60
H21K-124	420 kV	30,0-42,0	3	120-125	2	200
H21K-151	420 kV	30,0-44,0	3	150-160	2	100
H21K-160	420 kV	30,0-42,0	3	160	2	100
H21K-161	420 kV	30,0-42,0	3	160	2	100
H21K-164	420 kV	35,0-44,0	3	160	2	400
H21K-200	550 kV	30,0-42,0	3	200	2	100
H21K-245	550 kV	46,0-46,3	3	120	2	150
H21K-250	550 kV	30,0-42,0	3	250	2	100
H21K-252	550 kV	30,0-44,0	3	250	2	200
H21K-253	420 kV	30,6-44,0	3	250	2	60

*) please specify exact diameter in case of order

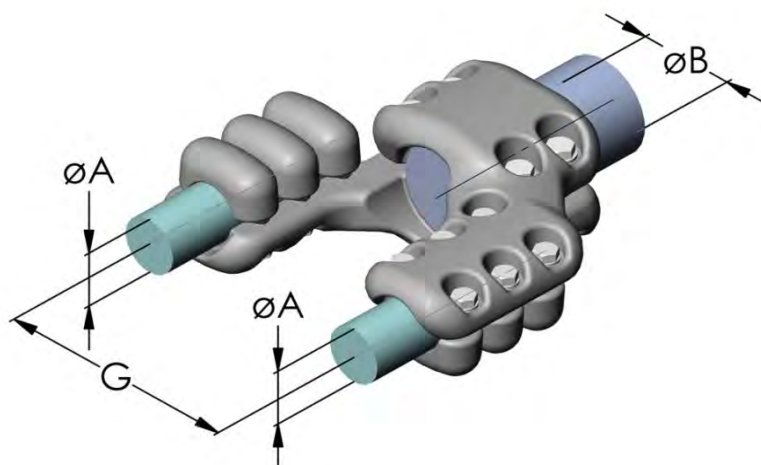


Article No.	Voltage	ØA *)	Covers A	ØB *)	Covers B	Bundle-spacing G
I21K-023	245 kV	16,0-22,0	2	20,0-32,0	2	100
I21K-031	245 kV	25,0-33,0	1	30,0-33,0	1	100
I21K-034	245 kV	22,0-32,0	2	40,0-52,0	2	85
I21K-035	420 kV	22,0-33,0	3	40,0-52,0	3	100
I21K-036	420 kV	20,0-32,0	3	40,0-52,0	3	100
I21K-037	420 kV	20,3-33,8	2	20,3-33,8	2	450
I21K-041	420 kV	30,0-42,0	2	30,0-42,0	2	400
I21K-043	245 kV	20,0-32,0	2	30,0-42,0	2	100
I21K-044	420 kV	30,0-42,0	2	30,0-42,0	2	100
I21K-048	420 kV	30,0-44,0	2	30,0-42,0	3	200
I21K-053	245 kV	22,0-33,0	2	50-63	2	70
I21K-061	245 kV	30,0-42,0	2	60-63	2	300
I21K-062	245 kV	22,0-33,0	2	60-63	2	100
I21K-063	245 kV	22,0-33,0	2	60-63	3	100
I21K-066	420 kV	50-63	3	50-63	3	200
I21K-067	420 kV	30,0-42,0	3	30-63	2	200
I21K-120	550 kV	30,0-42,0	3	120	2	100
I21K-122	420 kV	20,3-33,8	2	114-120	2	200
I21K-140	420 kV	18,3-33,8	2	140-160	2	457
I21K-160	420 kV	30,0-42,0	3	160	2	150
I21K-161	420 kV	30,0-44,0	3	160	2	100

*) please specify exact diameter in case of order

Article No.	Voltage	ØA *)	Covers A	ØB *)	Covers B	Bundle-spacing G
I21K-163	245 kV	30,0-42,0	3	160	2	110
I21K-164	550 kV	30,0-42,0	3	160-162	2	200
I21K-200	420 kV	30,0-42,0	3	200	2	200
I21K-255	245 kV	46,31	3	50	3	200
I21K-523	245 kV	30,6-33,8	2	120	2	100

*) please specify exact diameter in case of order

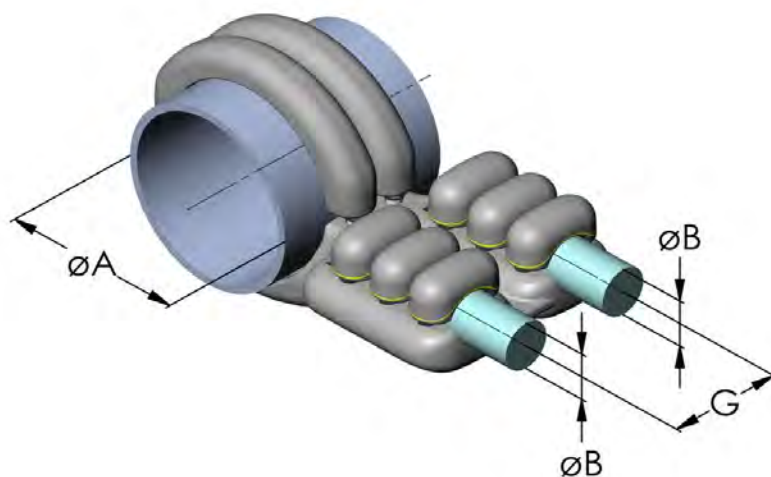


Article No.	Voltage	ØA *)	Covers A	ØB *)	Screwpairs B	Bundle-spacing G
I21K-028	245 kV	26,0-33,0	2	30,0-42,0	2	100
I21K-029	145 kV	24,5-36,9	2	24,5-36,9	3	200
I21K-030	245 kV	29,0-33,0	3	40,0-42,0	3	50
I21K-042	420 kV	30,0-42,0	3	30,0-42,0	3	200
I21K-045	420 kV	30,0-42,0	3	30-63	2	100
I21K-046	420 kV	35,0-42,0	1	30,0-32,0	1	200
I21K-047	420 kV	30,0-44,0	4	30-63	2	100
I21K-070	245 kV	20,0-33,0	2	70-80	2	200
I21K-080	245 kV	20,0-32,0	3	80	2	100
I21K-081	245 kV	30,0-40,0	3	80	2	85
I21K-082	420 kV	45,5-46,5	3	70-80	2	200
I21K-083	420 kV	28,5-44,0	3	80	2	200
I21K-105	420 kV	29,0-33,0	3	100	2	50
I21K-123	550 kV	46,3-54,8	2	120	2	400
I21K-150	550 kV	45,0-46,5	2	150-160	2	450
I21K-204	550 kV	30,0-43,2	3	200	2	457

*) please specify exact diameter in case of order

Al-T-Duplex/single connector

Duplex plane in busbar axis

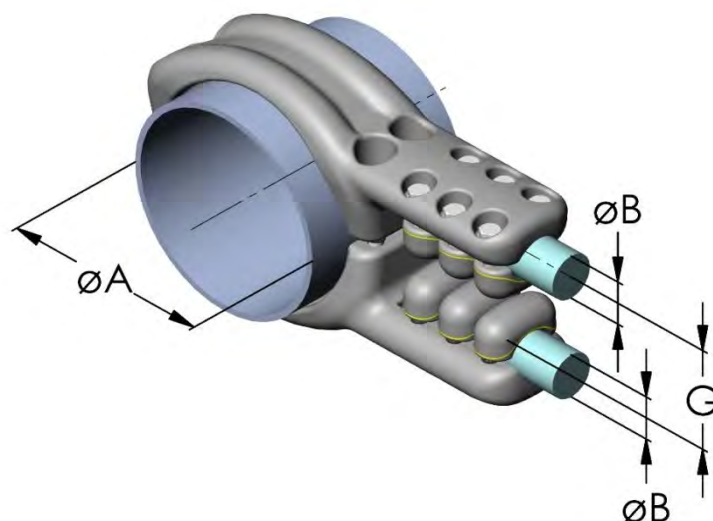


Article No.	Voltage	ØA *)	Covers A	ØB *)	Covers B	Bundle-spacing G
T21K-063	245 kV	60-63	2	20,0-32,0	3	45
T21K-082	245 kV	80	2	20,3-33,8	3	100
T21K-083	245 kV	80	2	20,0-32,0	2	100
T21K-099	245 kV	100	2	20,0-32,0	2	100
T21K-123	245 kV	120	2	20,0-32,0	3	100
T21K-128	420 kV	120	2	28,5-44,0	4	100
T21K-160	420 kV	160	2	30,0-42,0	3	100
T21K-163	420 kV	160	2	30,0-42,0	3	150
T21K-165	420 kV	160	2	30,0-42,0	3	200
T21K-166	420 kV	160	2	30,0-42,0	3	400
T21K-167	420 kV	160	1	24,5-33,0	2	100
T21K-170	420 kV	160	2	28,5-44,0	4	100
T21K-171	420 kV	160	2	28,5-44,0	3	100
T21K-200	420 kV	200	2	30,0-42,0	3	200
T21K-204	245 kV	200	2	22,0-32,0	3	100
T21K-205	420 kV	200	2	30,0-42,0	3	100
T21K-220	420 kV	220	2	29,0-33,0	3	50
T21K-250	420 kV	250	2	30,0-42,0	3	100
T21K-251	550 kV	250	2	40,0-52,0	3	400
T21K-252	420 kV	250	2	30,0-42,0	3	200
T21K-258	550 kV	250	2	30,0-42,0	3	400
T21K-260	420 kV	250	2	28,5-44,0	4	100
T21K-300	420 kV	300	2	28,5-44,0	3	200
T21K-523	245 kV	120	2	30,6-32,6	2	100

*) please specify exact diameter in case of order

Al-T-Duplex/single connector

Duplex plane 90° to busbar axis



Article No.	Voltage	ØA *)	Screwpairs A	ØB *)	Covers B	Bundle-spacing G
T21K-060	420 kV	30,6-44,0	2	40,0-63,0	4	100
T21K-064	420 kV	30,0-42,0	2	30,0-63,0	3	100
T21K-065	420 kV	30,0-44,0	2	30,0-44,0	3	400
T21K-081	420 kV	80	2	30,0-44,0	3	100
T21K-101	420 kV	100	2	30,0-42,0	4	150
T21K-102	420 kV	100	2	30,0-44,0	3	200
T21K-103	420 kV	100	2	30,0-44,0	3	100
T21K-106	420 kV	100	2	30,0-42,0	4	100
T21K-121	420 kV	114-120	2	30,0-42,0	3	100
T21K-125	420 kV	120-125	2	30,0-42,0	3	200
T21K-126	66 kV	114-120	2	28,5-44,0	3	100
T21K-129	420 kV	120-125	2	28,5-44,0	4	100
T21K-150	420 kV	150-160	2	30,0-44,0	3	100
T21K-156	420 kV	150-160	2	30,0-42,0	4	150
T21K-161	420 kV	160	2	30,0-44,0	3	115
T21K-164	420 kV	160	2	30,0-42,0	3	150
T21K-201	420 kV	200	1	20,3-33,0	2	60
T21K-203	420 kV	200	2	20,0-33,0	3	100
T21K-206	420 kV	200	2	30,0-44,0	3	100
T21K-208	420 kV	200	2	30,0-42,0	3	174
T21K-240	245 kV	30,0-44,0	2	30,0-63,0	3	200

*) please specify exact diameter in case of order

Al-T-Duplex/single connector

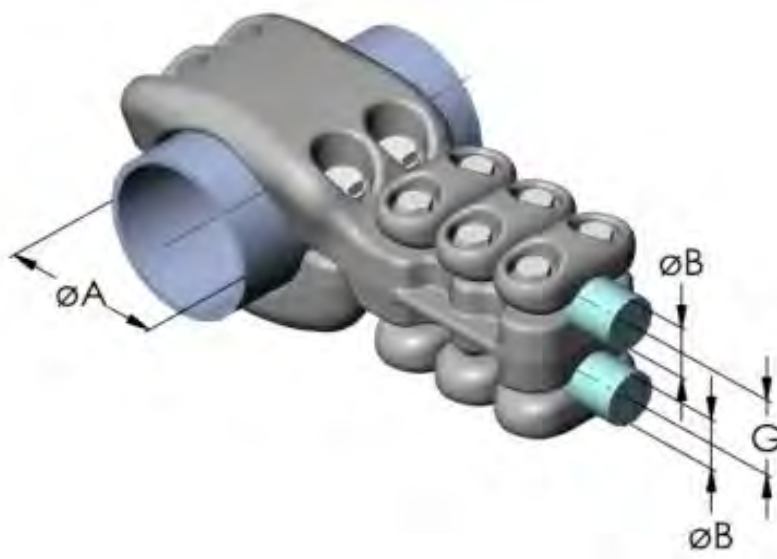
Duplex plane 90° to busbar axis

Article No.	Voltage	ØA *)	Screwpairs A	ØB *)	Covers B	Bundle- spacing G
T21K-246	420 kV	46,3	2	40,0-52,0	3	200
T21K-255	420 kV	250	1	20,3-33,8	2	200
T21K-256	420 kV	250	1	28,5-33,0	2	100
T21K-257	420 kV	250	2	28,5-33,0	2	100
T21K-259	420 kV	250	2	28,5-44,0	3	200
T21K-261	420 kV	250	2	28,5-44,0	2	100

*) please specify exact diameter in case of order

Al-T-Duplex/single connector

Duplex plane 90° to busbar axis

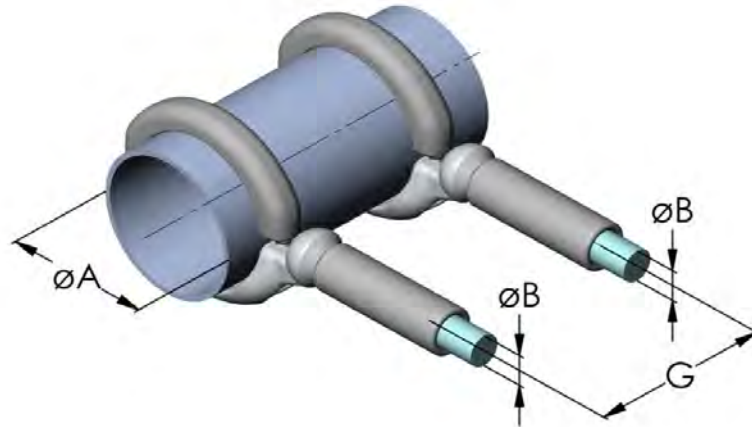


Article No.	Voltage	ØA *)	Covers A	ØB *)	Covers B	Bundle-spacing G
T21K-100	245 kV	100	2	30,0-42,0	4	100
T21K-105	420 kV	100	2	22,0-32,0	3	50
T21K-108	245 kV	100	4	22,0-32,0	3	200
T21K-162	420 kV	160	2	22,0-32,0	3	60

*) please specify exact diameter in case of order

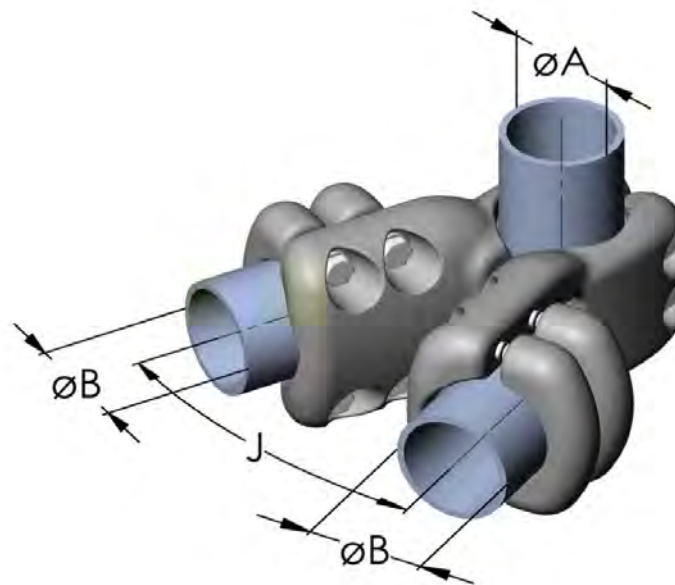
Al-T-Bundle connector

Duplex plane in busbar axis



Article No.	Voltage	ØA *)	Covers A	ØB *)	Bundle-spacing G
T21R-141	245 kV	140	1	31,7-32,6	200
T21R-160	420 kV	160	2	31,7	200
T21R-161	420 kV	160	2	38,5	200
T21R-250	420 kV	250	2	30,22	100

*) please specify exact diameter in case of order

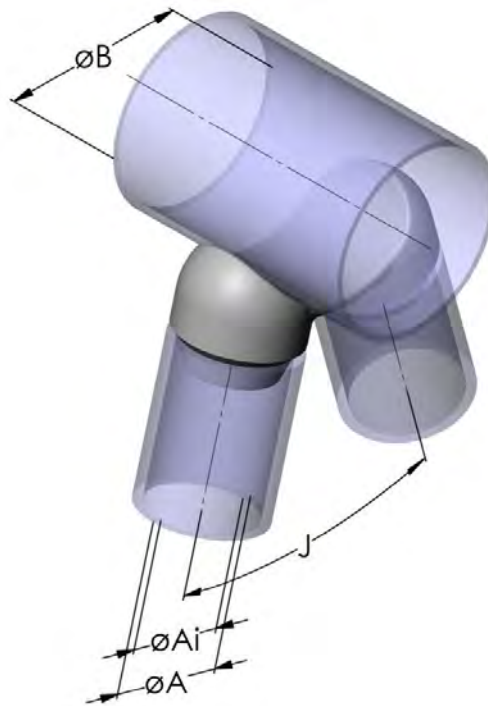


Article No.	Voltage	ØA *)	Screwpairs A	ØB *)	Covers B	Angle J
W21K-100	420 kV	100	2	100	2	30°
W21K-101	420 kV	100	1	100	1	30°
W21K-120	420 kV	120-125	2	120-125	2	30°
W21K-128	420 kV	80	2	120	2	30°
W21K-160	420 kV	160	1	100	1	30°
W21K-168	420 kV	100	2	168	2	30°
W21K-172	420 kV	120	2	170	2	30°
W21K-203	420 kV	120	2	200	1	30°
W21K-220	420 kV	100	2	220	2	30°
W21K-250	550 kV	120	2	250	2	30°

*) please specify exact diameter in case of order

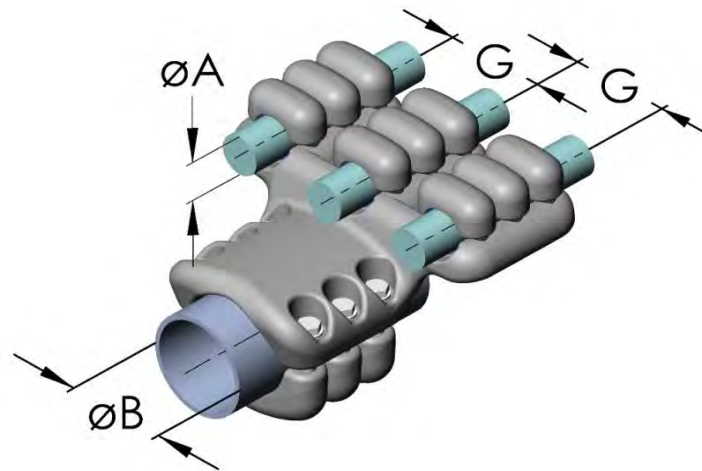
Al-Angle welded coupler

A-Frame top



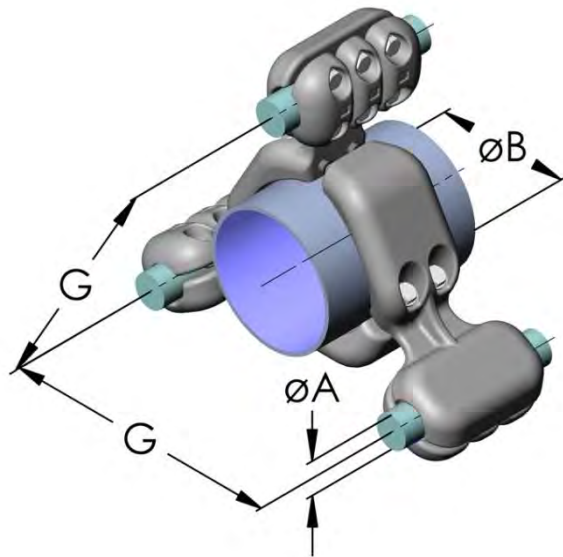
Article No.	Voltage	ØA *)	ØAi *)	ØB *)	Angle J
W21W-086	420 kV	60,3	-	88,9	20°
W21W-088	420 kV	88,9	-	88,9	20°
W21W-101	420 kV	100	90	100	30°
W21W-138	550 kV	88,9	77,9	141,3	30°
W21W-139	550 kV	88,9	77,9	141,3	20°
W21W-148	420 kV	88,9	-	141,3	20°
W21W-160	420 kV	100	90	160	30°

*) please specify exact diameter in case of order



Article No.	Voltage	ØA *)	Covers A	ØB *)	Covers B	Bundle-spacing G
H31K-100	420 kV	30,0-44,0	3	100	2	100
H31K-141	550 kV	36,9-44,0	2	141	2	200
H31K-523	420 kV	30,6-32,6	2	120	2	100
H31K-524	420 kV	38,6-40,4	3	120	2	100

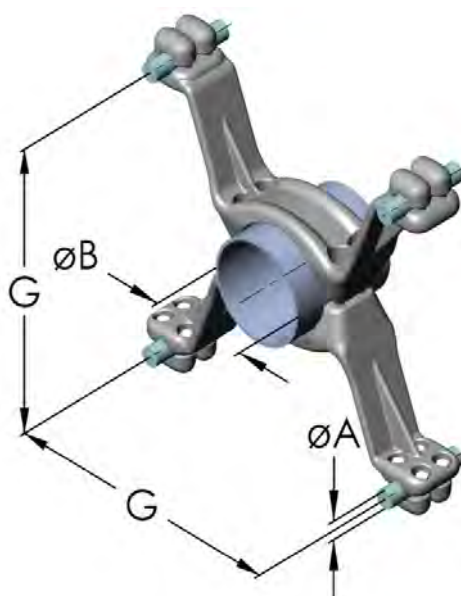
*) please specify exact diameter in case of order



Article No.	Voltage	ØA *)	Covers A	ØB *)	Screwpairs B	Bundle-spacing G
I31K-141	550 kV	22,0-33,0	2	140-141,3	2	457
I31K-330	550 kV	30,0-42,0	3	160-168,2	2	330

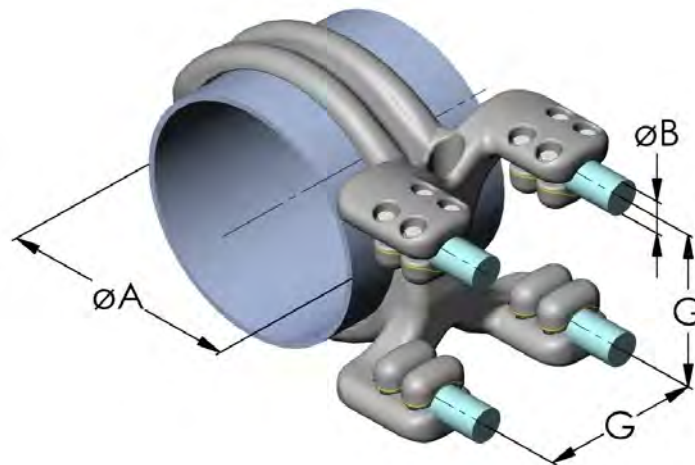
*) please specify exact diameter in case of order

Al-Parallel quadruple/single connector



Article No.	Voltage	ØA *)	Covers A	ØB *)	Screwpairs B	Bundle-spacing G
I41K-061	550 kV	20,3-33,8	2	40-62	2	200
I41K-062	550 kV	30,0-42,0	3	50-62	2	200
I41K-063	550 kV	40,0-52,0	3	50-62	3	200
I41K-064	550 kV	20,3-33,8	2	30-63	2	200
I41K-065	550 kV	20,3-33,8	2	30-63	2	100
I41K-100	550 kV	30,0-44,0	3	100	3	200
I41K-120	550 kV	20,3-33,8	2	120	2	200
I41K-140	420 kV	18,3-33,8	2	140-160	2	457
I41K-141	550 kV	30,0-42,0	2	140-141,3	2	200
I41K-150	245 kV	30,0-42,0	3	160	2	110
I41K-160	550 kV	30,0-42,0	3	160	2	150
I41K-161	420 kV	30,0-42,0	2	160	2	200
I41K-162	550 kV	20,0-33,0	2	160	2	200
I41K-163	420 kV	35,0-42,0	3	160	2	100
I41K-250	550 kV	30,0-42,0	3	250	2	200
I41K-251	550 kV	22,0-32,0	2	250	2	200
I41K-252	550 kV	22,0-32,0	2	250	2	200
I41K-400	550 kV	30-63	2	28,0-33,0	2	400

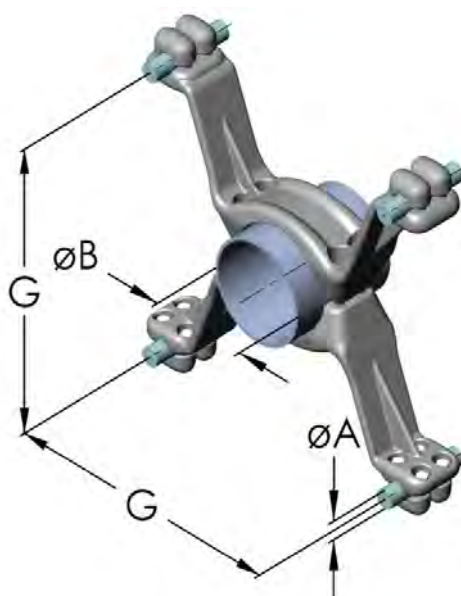
*) please specify exact diameter in case of order



Article No.	Voltage	ØA *)	Screwpairs A	ØB *)	Covers B	Bundle-spacing G
T41K-066	245 kV	40-63	2	28,5-44,8	3	100
T41K-100	550 kV	100	2	30,0-42,0	2	200
T41K-101	245 kV	100	2	22,5-24,5	2	100
T41K-102	550 kV	100	2	22,0-32,0	2	200
T41K-160	550 kV	160	2	30,0-42,0	3	150
T41K-161	245 kV	160	2	22,0-32,0	2	100
T41K-162	550 kV	160	2	30,0-42,0	3	200
T41K-200	550 kV	200	2	40,0-52,0	3	200
T41K-201	550 kV	200	2	30,0-42,0	3	200
T41K-250	550 kV	250	2	30,0-42,0	3	200
T41K-251	550 kV	250	2	22,0-32,0	2	200
T41K-300	420 kV	300	2	30,0-42,0	2	200
T41K-301	420 kV	300	2	28,5-44,0	3	200

*) please specify exact diameter in case of order

AI-Parallel quadruple/single connector

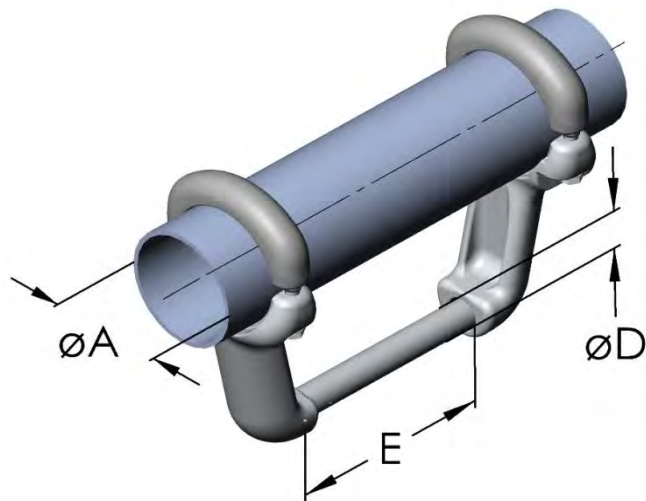


Article No.	Voltage	ØA *)	Covers A	ØB *)	Screwpairs B	Bundle-spacing G
I41K-061	550 kV	20,3-33,8	2	40-62	2	200
I41K-062	550 kV	30,0-42,0	3	50-62	2	200
I41K-063	550 kV	40,0-52,0	3	50-62	3	200
I41K-064	550 kV	20,3-33,8	2	30-63	2	200
I41K-065	550 kV	20,3-33,8	2	30-63	2	100
I41K-100	550 kV	30,0-44,0	3	100	3	200
I41K-120	550 kV	20,3-33,8	2	120	2	200
I41K-140	420 kV	18,3-33,8	2	140-160	2	457
I41K-141	550 kV	30,0-42,0	2	140-141,3	2	200
I41K-150	245 kV	30,0-42,0	3	160	2	110
I41K-160	550 kV	30,0-42,0	3	160	2	150
I41K-161	420 kV	30,0-42,0	2	160	2	200
I41K-162	550 kV	20,0-33,0	2	160	2	200
I41K-163	420 kV	35,0-42,0	3	160	2	100
I41K-250	550 kV	30,0-42,0	3	250	2	200
I41K-251	550 kV	22,0-32,0	2	250	2	200
I41K-252	550 kV	22,0-32,0	2	250	2	200
I41K-400	550 kV	30-63	2	28,0-33,0	2	400

*) please specify exact diameter in case of order

Al-Earthing fixpoints

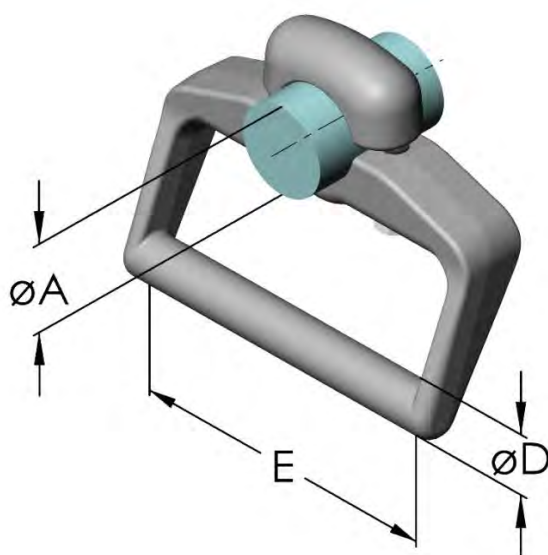
Stirrup parallel to conductor



Article No.	Voltage	ØA *)	Covers A	Stirrup-diameter ØD	Stirrup-length E
D1K-085	245 kV	80	2	25	200
D1K-100	420 kV	100	2	25	200
D1K-114	550 kV	114-120	2	35	200
D1K-122	550 kV	120	1	30	200
D1K-140	550 kV	140-141,3	2	35	200
D1K-163	550 kV	160-168,2	2	30	200
D1K-164	550 kV	150-168,2	2	25	200
D1K-200	550 kV	200	2	35	200
D1K-220	550 kV	220	2	35	200
D1K-250	550 kV	250	2	35	200
D1K-251	420 kV	250	2	25	200
D1K-253	420 kV	250	2	25	250

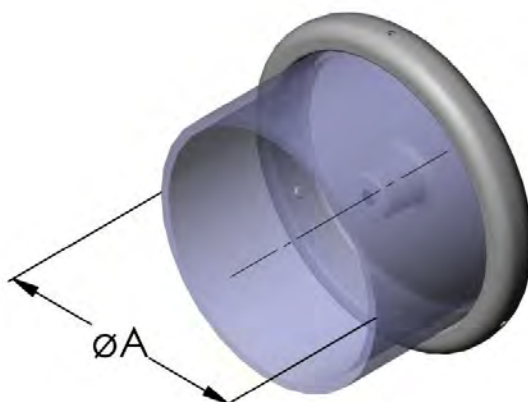
*) please specify exact diameter in case of order

Stirrup transversal to conductor



Article No.	Voltage	ØA *)	Covers A	Stirrup-diameter ØD	Stirrup-length E
D1K-022	245 kV	14,0-22,0	1	25	75
D1K-030	245 kV	20,0-32,0	1	22	100
D1K-032	245 kV	20,0-32,0	1	22	100
D1K-033	245 kV	16,0-32,0	1	22	170
D1K-033	245 kV	14,0-21,0	1	20	100
D1K-034	420 kV	20,0-43,0	1	25	170
D1K-039C	245 kV	20,0-42,0	1	25	110
D1K-040	245 kV	20,3-44,0	1	25	174
D1K-042	245 kV	32,0-43,2	1	25	102
D1K-050	245 kV	50	1	22	130
D1K-051	245 kV	40,0-54,8	1	25	170
D1K-080	245 kV	60-80	1	25	170
D1K-081	245 kV	80	1	22	137
D1K-102	420 kV	100	1	22	138
D1K-120	245 kV	120	1	22	177
D1K-121	245 kV	120	1	25	177
D1K-125	420 kV	125	1	30	170
D1K-141	245 kV	140-168,2	1	25	100
D1K-142	550 kV	140-141,3	1	30	100
D1K-161	245 kV	160	1	25	100
D1K-162	550 kV	150-168,3	1	25	160
D1K-201	245 kV	200	1	25	100
D1K-202	420 kV	200	1	25	160
D1K-252	420 kV	250	1	25	102

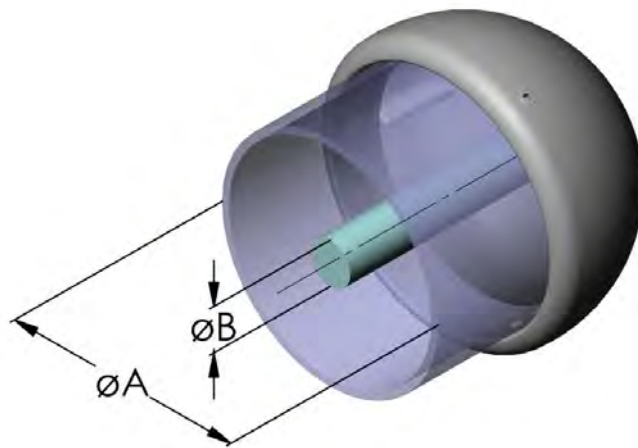
*) please specify exact diameter in case of order



Article No.	Voltage	ØA *)
RAK-050	245 kV	50
RAK-064	245 kV	60-63
RAK-070	245 kV	70
RAK-080	245 kV	80
RAK-100	245 kV	100
RAK-120	245 kV	120
RAK-141	245 kV	140-141,3
RAK-249	145 kV	250
RAK-250	145 kV	250

*) please specify exact diameter in case of order

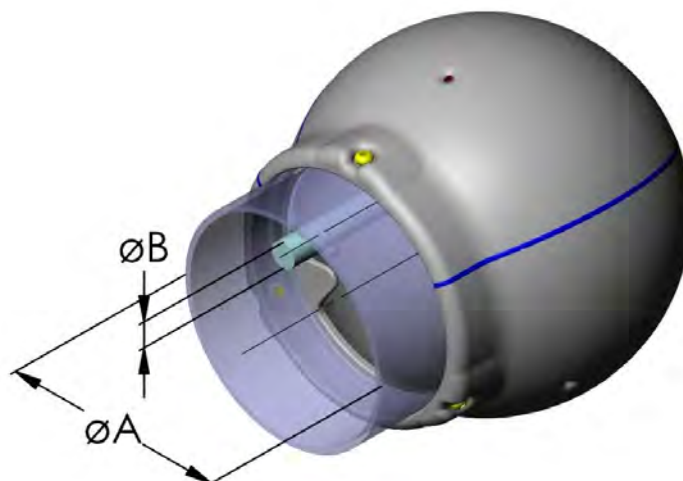
Al-Busbar endcap spheric with damping wire holder



Article No.	Voltage	ØA *)	ØB *)
RBK-080	420 kV	80	15,0-32,6
RBK-099	420 kV	100	15,0-32,6
RBK-119	550 kV	120	15,0-32,6
RBK-125	550 kV	125	15,0-32,6
RBK-150	420 kV	150	29,1-32,6
RBK-160	420 kV	160	20,0-36,9
RBK-162	420 kV	160	29,1-32,6
RBK-170	550 kV	170	26,0-30,4
RBK-200	550 kV	200	26,0-30,4
RBK-250	550 kV	250	30,0-42,0

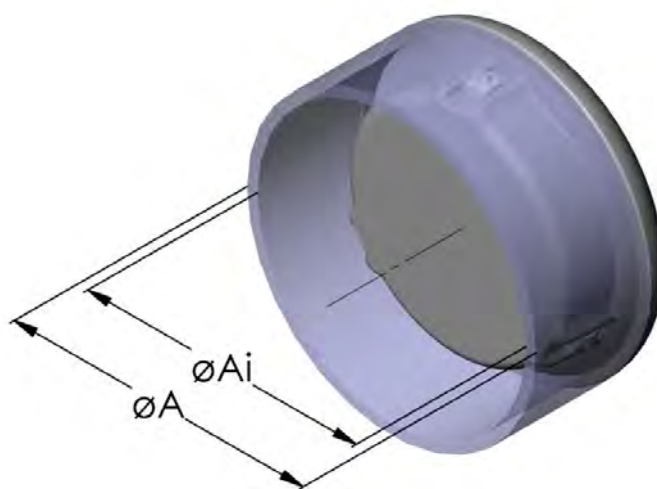
*) please specify exact diameter in case of order

Al-Busbar end spheroid with damping wire holder



Article No.	Voltage	ØA *)	ØB *)
RCK-080	420 kV	80	-
RCK-160	550 kV	114-168	28,0-38,6
RCK-200	550 kV	200	28,0-38,6
RCK-201	550 kV	200	-
RCK-250	550 kV	250	-

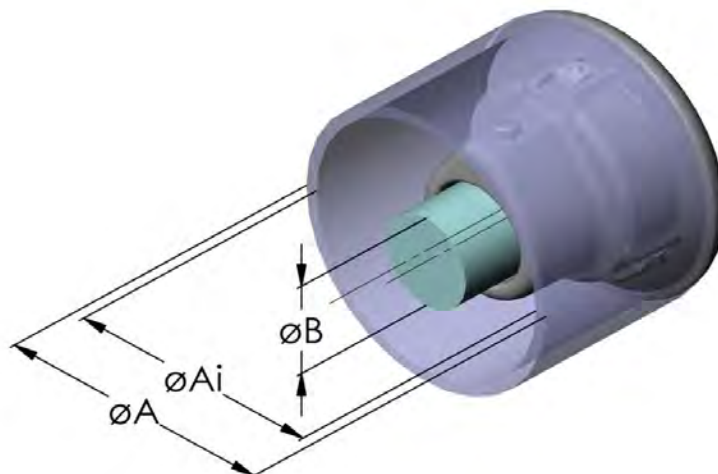
*) please specify exact diameter in case of order



Article No.	Voltage	ØA *)	ØAi *)
RDK-051	145 kV	50,0	40,0
RDK-070	145 kV	70,0	64,0
RDK-140	145 kV	140,0-141,3	121,0-123,0
RDK-163	145 kV	160,0	136,0-148,0

*) please specify exact diameter in case of order

Al-Busbar endcap inner with damping wire holder



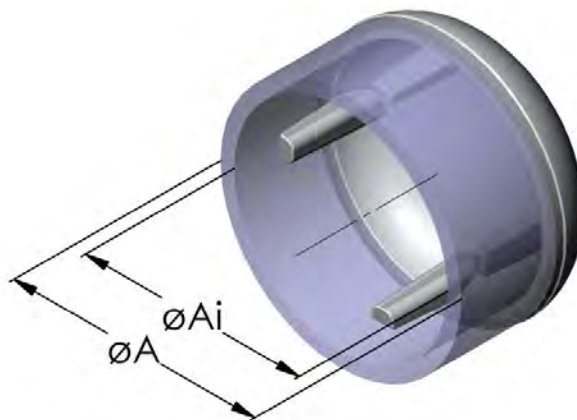
Article No.	Voltage	ØA *)	ØAi *)	ØB *)
RDK-041	145 kV	40	30	7,0-9,0
RDK-052	145 kV	50	40	10,0-20,0
RDK-063	245 kV	63	47-53	14,0-21,8
RDK-079	145 kV	80	64-72	15,0-32,6
RDK-080	245 kV	80	66,5-68,5	15,0-32,6
RDK-081	245 kV	80	68-72	17,5
RDK-089	145 kV	89	70-83	15,0-32,6
RDK-099	145 kV	100	70-92	15,0-32,9
RDK-100	145 kV	100	90-95	18,3-31,7
RDK-114	145 kV	114	94	20,0-29,0
RDK-119	145 kV	120	96-112	15,0-36,8
RDK-120	145 kV	120-125	100-110	17,0-29,9
RDK-122	145 kV	120	100-110	23,6-32,6
RDK-123	145 kV	120	96-112	15,0-36,8
RDK-124	145 kV	120	96-110	38,2
RDK-141	145 kV	140-141,3	121-123	20,0-33,0
RDK-150	145 kV	150	128-136	22,0-42,0
RDK-159	145 kV	160-168	136-152	15,0-36,8
RDK-160	145 kV	160	140-150	22,0-42,0
RDK-162	145 kV	161	129-152	15,0-36,8
RDK-167	145 kV	168	144-162	15,0-36,8
RDK-199	145 kV	200	176-192	15,0-36,8

*) please specify exact diameter in case of order

Al-Busbar endcap inner with damping wire holder

Article No.	Voltage	ØA *)	ØAi *)	ØB *)
RDK-200	245 kV	200	180-190	28,8-32,6
RDK-201	245 kV	200	184-190	26,0-32,6
RDK-219	145 kV	220-220	196-212	15,0-36,8
RDK-249	145 kV	250	226-242	15,0-36,8
RDK-250	145 kV	250	234-240	30,0-40,0
RDK-299	145 kV	300	276-290	24,0-51,0
RDK-449	145 kV	450	426-440	24,0-51,0

*) please specify exact diameter in case of order



Article No.	Voltage	$\varnothing A$ *)
RDW-088	245 kV	88,9
RDW-141	245 kV	141,3
RDW-142	245 kV	141,3

*) please specify exact diameter in case of order